



**TECHNICAL MANUAL**

**AIR-CONDITIONER CONTROL SYSTEM**

**INTERFACE KIT  
SC-BIKN2-E**

## CONTENTS

### INTERFACE KIT (OPTION PARTS)

|  |    |
|--|----|
| 1. Applicable model .....  | 2  |
| 2. List of connectable devices .....                                 | 2  |
| 3. Exterior dimensions .....   | 2  |
| 4. Circuit board component layout .....                              | 2  |
| 5. System configuration .....  | 3  |
| 6. Installation of interface kit .....                               | 4  |
| 7. Wired remote control .....  | 9  |
| 8. Insatallation of wired remote control .....                       | 11 |
| 9. Superlink E board (SC-ADNA-E) .....                               | 24 |
| 10. Operation permission/prohibition control .....                   | 26 |
| 11. External control (remote display) /control of input signal ..... | 27 |

# INTERFACE KIT (OPTION PARTS)

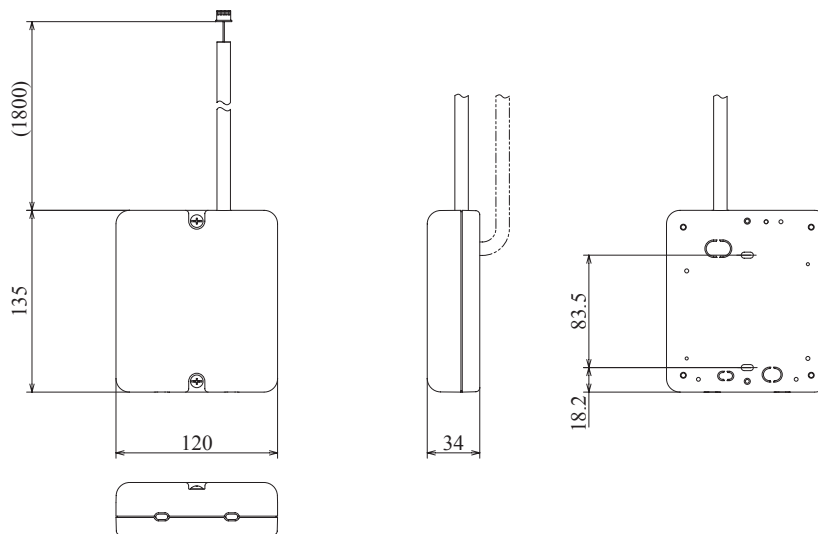
## 1. Applicable model

| Name          | Type       | Models   |
|---------------|------------|--|
| Interface kit | SC-BIKN2-E | SRK**ZSX-W SRK**ZSXA-W SRK**ZS-W<br>SRK**ZSA-W SRK**ZR-W SRK**ZRA-W<br>SRF**ZMX-S SRF**ZMXA-S SRR-ZM-S |

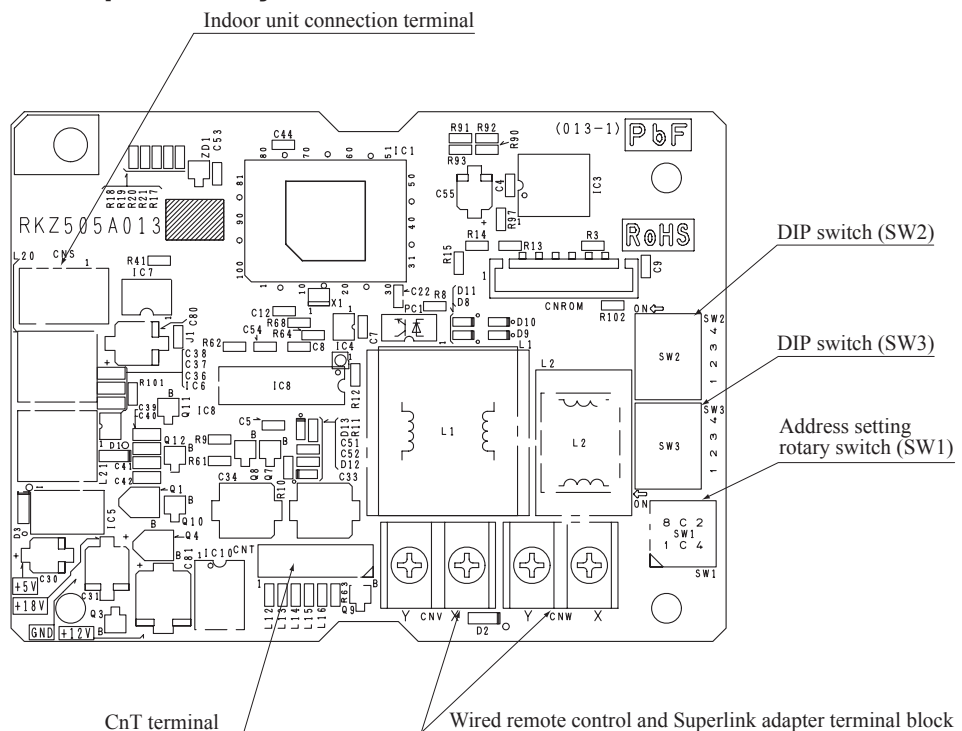
## 2. List of connectable devices

| Name                 | Type           |
|----------------------|----------------|
| Wired remote control | RC-EX3A, RC-E5 |
| Superlink adapter    | SC-ADNA-E      |
| Central control      | SC-SL2NA-E     |

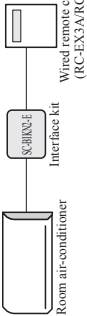
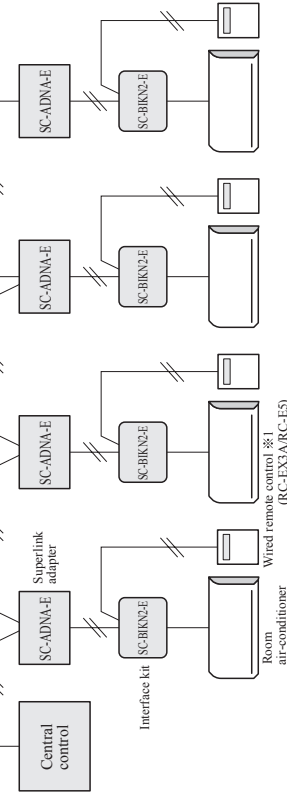
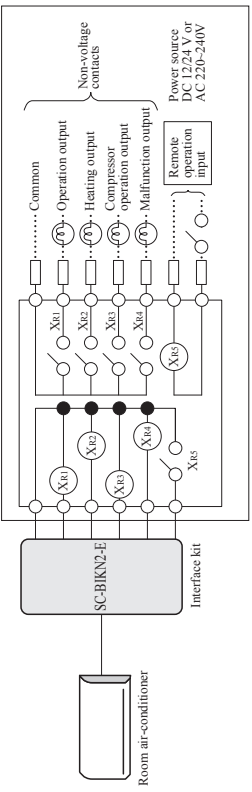
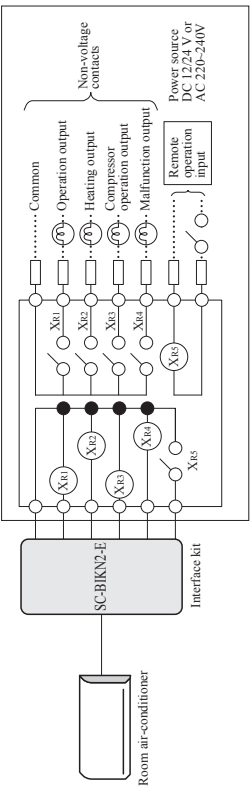
## 3. Exterior dimensions



## 4. Circuit board component layout



## 5. System configuration

| System configuration  | Control contents   | Use  | Parts used  |
|---|--|--|---|
| <p><b>① Wired remote control system</b></p>                      | <p>Using the wired remote control system, users can run and stop the unit, switch operations, adjust the temperature, fan speed and air flow direction (up or down), and control timer operation.</p>  | <p>Use a wired remote control for retirement homes, school classrooms and similar locations.</p>   | <ul style="list-style-type: none"> <li>Wired remote control (RC-EX3A/RC-E5)</li> <li>Interface kit (SC-BIKN2-E)</li> </ul>  |
| <p><b>② Control of multiple units with a remote control</b></p>  | <p>Multiple units (16 units-64 units) can be controlled with a central control. Contact your dealer when you connected 64 units or more.</p>   | <p>For hotels and similar facilities with multiple units installed, the central control is used to turn multiple air-conditioning units ON or OFF.</p> | <ul style="list-style-type: none"> <li>Interface kit (SC-BIKN2-E)</li> <li>Superlink adapter (SC-ADNA-E)</li> <li>Central control (SC-SL2NA-E)</li> <li>Wired remote control (RC-EX3A/RC-E5)</li> </ul> <p>※1 Either wireless remote control or wired remote control can be selected. If it is necessary to control each room separately, use the wired remote control.</p> |
| <p><b>③ Remote operation</b></p>                               | <p>Multiple units (16 units-64 units) can be controlled with a central control. Contact your dealer when you connected 64 units or more.</p>   | <p>For users who want to exercise central control together with a package air-conditioning system, such as an office.</p>                              | <ul style="list-style-type: none"> <li>Interface kit (SC-BIKN2-E)</li> <li>Remote ON/OFF monitor kit (Customer arrangements)</li> </ul>   |
| <p><b>③ Remote operation</b></p>                               | <p>Using the remote start/stop switch timer, etc., the unit can be started and stopped by inputting level or by inputting pulses.</p> <ul style="list-style-type: none"> <li>The run signal, heating signal, compressor ON signal and check signal can be received by non-voltage contacts.</li> </ul> | <p>Remote start and stop and remote monitoring.</p>  | <ul style="list-style-type: none"> <li>Interface kit (SC-BIKN2-E)</li> <li>Remote ON/OFF monitor kit (Customer arrangements)</li> </ul>   |

## 6. Installation of interface kit

RKZO12A099

\* When RC-EX3 or RC-EX3A is connected, please use SC-BIKN2-E by all means.

### Accessories included in package

Be sure to check all the accessories included in package.

| No. | Part name   | Quantity |
|-----|---|----------|
| ①   | Indoor unit's connection cable (cable length: 1.8m)                     | 1        |
| ②   | Wood screws (for mounting the interface: ø4x25)                         | 2        |
| ③   | Tapping screws (for the cable clamp and the interface mounting bracket) | 3        |
| ④   | Interface mounting bracket  | 1        |
| ⑤   | Cable clamp (for the indoor unit's connection cable)                    | 1        |
| ⑥   | CnT terminal connection cable (total cable length: 0.5m)                | 1        |

### Safety precautions

Before use, please read these Safety precautions thoroughly before installation.

- All the cautionary items mentioned below are important safety related items to be taken into consideration, so be sure to observe them at all times.

**Warning** Incorrect installation could lead to serious consequences such as death, major injury or environmental destruction.

- Symbols used in these precautions

**!** Always go along these instruction.

- After completed installation, carry out trial operation to confirm no anomaly, and ask the user to keep this installation manual in a good place for future reference.

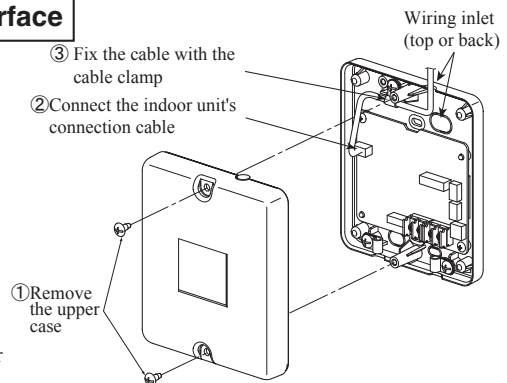
## Warnings



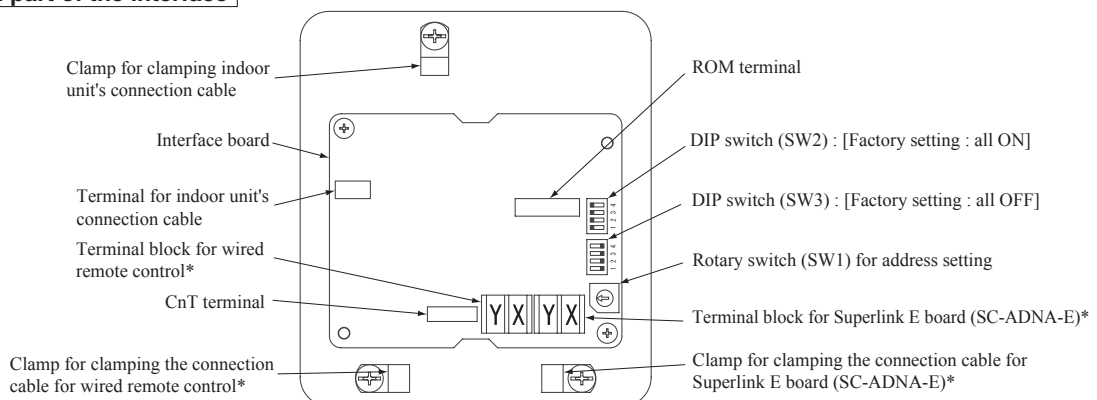
- **Installation must be carried out by a qualified installer.**  
If you install it by yourself, it may cause an electric shock, fire and personal injury, as a result of a system malfunction.
- **Install it in full accordance with the installation manual.**  
Incorrect installation may cause an electric shock, fire and personal injury.
- **Electrical work must be carried out by a qualified electrician in accordance with the technical standard for electrical equipment, the indoor wiring standard and this installation manual.**  
Incorrect installation may cause an electric shock, fire and personal injury.
- **Use the specific cables for wiring. And connect all the cables to terminals or connectors securely and clamp them with cable clamps in order for external forces not to be transmitted to the terminals directly.**  
Incomplete connection may cause malfunction, and lead to heat generation and fire.
- **Use the original accessories and specified components for installation.**  
If the parts other than those prescribed by us are used, it may cause an electric shock, fire and personal injury.

### Connecting the indoor unit's connection cable to the interface

- ① Remove the upper case of the interface.
  - Remove 2 screws from the interface casing before removal of upper casing.
- ② Connect the indoor unit's connection cable to the interface.
  - Connect the connector of the indoor unit connection cable to the connector on the interface's circuit board.
- ③ Fix the indoor unit's connection cable with the cable clamp.
  - Cable can be brought in from the top or from the back.
  - Cut out the punch-outs for the connection cables running into the casing with cutter.
- ④ Connect the indoor unit's connection cable to the indoor unit control PCB.
  - Connect the indoor unit's connection cable to the indoor unit control PCB securely.
  - Clamp the connection cable to the indoor control box securely with the cable clamp provided as an accessory.
  - Regarding the cable connection to the indoor unit, refer to the installation manual for indoor unit.



### Name of each part of the interface



\*Either the connection cables of Superlink E board (SC-ADNA-E) or of wired remote control is connectable.

| Switch | Setting | Function                       | Switch | Setting | Function                                     |
|--------|---------|--------------------------------|--------|---------|--|
| SW2-1  | ON**    | CnT level input                | SW2-3  | ON**    | External input (CnT input)                   |
|        | OFF     | CnT pulse input                |        | OFF     | Operation permission/prohibition (CnT input) |
| SW2-2  | ON**    | Wired remote control : Enable  | SW2-4  | ON**    | Annual cooling : Enable***                   |
|        | OFF     | Wired remote control : Disable |        | OFF     | Annual cooling : Disable***                  |

\*\* Factory setting

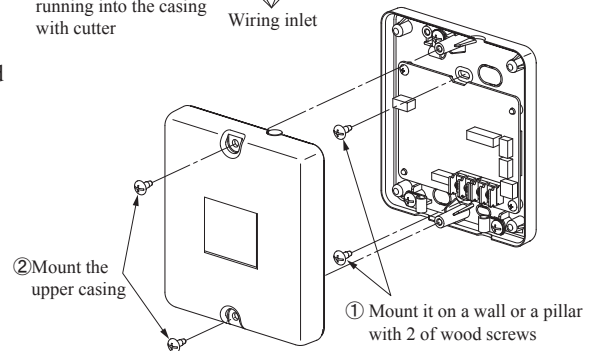
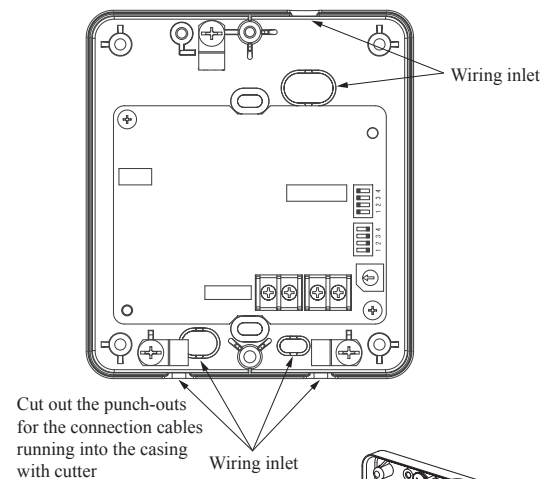
\*\*\* Indoor fan control at low outdoor air temperature in cooling

### Installation of the interface

- Install the interface within the range of the connection cable length (approximately 1.3m) from the indoor unit.
  - Be sure not to extend the connection cable on site. If the connection cable is extended, malfunction may occur.
  - Fix the interface on the wall, pillar or the like.
- Don't install the interface and wired remote control at the following places.
- Places exposed to direct sunlight
  - Places near heating devices
  - High humidity places
  - Surfaces where are enough hot or cold to generate condensation
  - Places exposed to oil mist or steam directly
  - Uneven surface

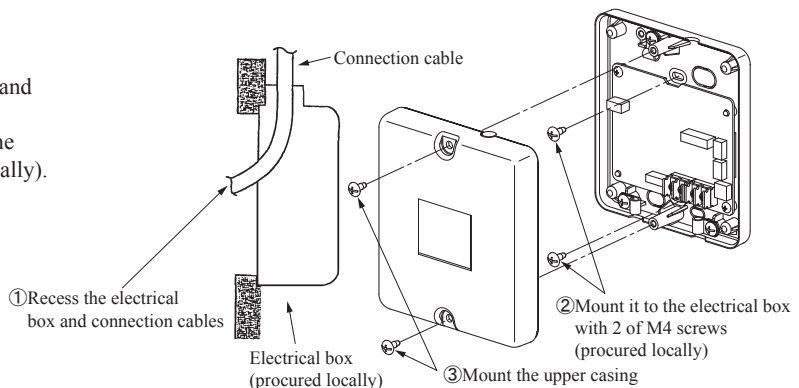
#### Mounting the interface directly on a wall

- ① Mount the lower casing of the interface on a flat surface with wood screws provided as standard accessory.
- ② Mount the upper casing.



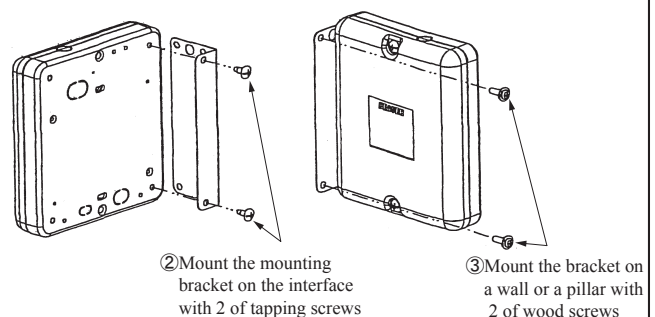
#### Recessing the interface in the wall

- ① Recess the electrical box (procured locally) and connection cables in the wall.
- ② Mount the lower casing of the interface to the electrical box with M4 screws (procured locally).
- ③ Mount the upper casing.



#### Mounting the interface with the mounting bracket

- ① Mount the upper casing.
- ② Mount the mounting bracket to the interface with tapping screws provided as standard accessory.
- ③ Mount the mounting bracket on wall or the like with wood screws provided as standard accessory.



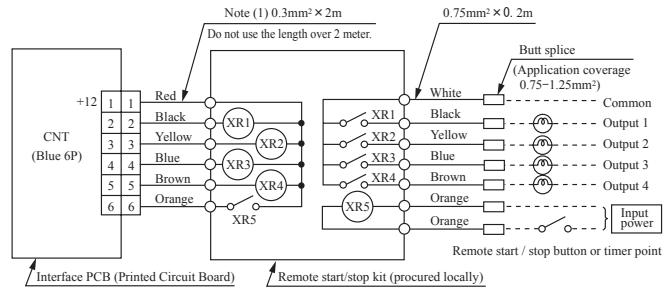
### Installation check items

- Are the connection cables connected securely to the terminal blocks and connectors?
- Are the thickness and length of the connection cables conformed with the standard?

### Functions of CnT connector

It is available to operate the air-conditioner and to monitor the operation status with the external control unit (remote display) by sending the input/output signal through CnT connector on the indoor unit control PCB.

- ① Connect a external remote control unit (procured locally) to CnT terminal.
- ② In case of the pulse input, switch OFF the DIP switch SW2-1 on the interface PCB.
- ③ When setting operation permission/prohibition mode, switch OFF the DIP switch SW2-3 on the interface PCB.



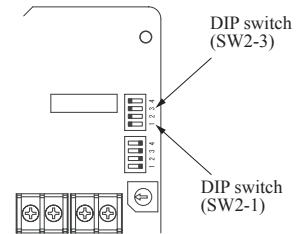
| Input/Output | Function                    | Output signal |        | Content                          |
|--------------|-----------------------------|---------------|--------|----------------------------------|
|              |                             | Relay         | ON/OFF |                                  |
| Output 1     | Operation output            | XR1           | ON     | During air-conditioner operation |
| Output 2     | Heating output              | XR2           | ON     | During heating operation         |
| Output 3     | Compressor operation output | XR3           | ON     | During compressor running        |
| Output 4     | Malfunction output          | XR4           | ON     | During anomalous stop            |

- XR1-4 are for the DC 12V relay
- XR5 is a DC 12/24V or AC 220-240V relay
- CnT connector (local) maker, model

|           |       |         |
|-----------|-------|---------|
| Connector | Molex | 5264-06 |
| Terminals | Molex | 5263T   |

| Input/Output | Function               | SW2-1   |             | SW2-3        |         | Air-conditioner       | Operation by remote control |                |                      |         |         |
|--------------|------------------------|---------|-------------|--------------|---------|-----------------------|-----------------------------|----------------|----------------------|---------|---------|
|              |                        | Setting |             | Input signal | Content |                       |                             |                |                      |         |         |
| Input        | External control input | ON*     | Level input | ON*          |         | Level                 | OFF→ON                      | External input | ON                   | Allowed |         |
|              |                        |         |             |              | Level   | ON→OFF                | Operation permission        | OFF            |                      |         |         |
|              |                        |         |             | Level        | OFF→ON  | Operation permission  | OFF                         |                |                      |         |         |
|              |                        |         |             | Level        | ON→OFF  | Operation prohibition | OFF                         |                |                      |         |         |
|              |                        | OFF     | Pulse input | ON*          | Pulse   | ON*                   | Level                       | OFF→ON         | External input       | OFF→ON  | Allowed |
|              |                        |         |             |              |         |                       | Level                       | ON→OFF         | Operation permission | ON      |         |
|              |                        |         |             | Level        | OFF→ON  | Operation permission  | ON                          |                |                      |         |         |
|              |                        |         |             | Level        | ON→OFF  | Operation prohibition | OFF                         |                |                      |         |         |

\* Factory setting



In case of the remote control (RC-EX3A or later model), the external outputs (1 – 4) and the external input can be changed using the function setting of remote control. For the setting method, refer to the installation manual. Also refer to the technical manual to know how it is adapted to the function setting for the external outputs and input, at the indoor unit side.

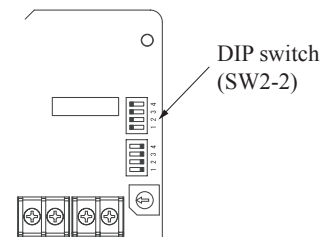
### Connection of Superlink E board

Regarding the connection of Superlink E board, refer to the installation manual of Superlink E board.

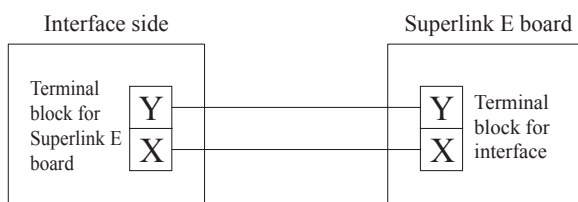
For electrical work, power source for all of units in the Superlink system must be turned OFF.

- ① Switch ON the DIP switch SW2-2 (Factory setting: ON) on the interface PCB.

Caution: Wireless remote control attached to the indoor unit can be used in parallel, after connecting the wired remote control. However, some of functions other than the basic functions such as RUN/STOP, temperature setting, etc. may not work properly and may have a mismatch between the display and the actual behavior.



- ② Wiring connection between the interface and the Superlink E board.



| No. | Names of recommended signal wires                     |
|-----|---|
| 1   | Shielded wire   |
| 2   | Vinyl cabtyre round cord                              |
| 3   | Vinyl cabtyre round cable                             |
| 4   | Vinyl insulated wire vinyl sheathed cable for control |

Within 200 m 0.5 mm<sup>2</sup> × 2 cores  
 Within 300 m 0.75 mm<sup>2</sup> × 2 cores  
 Within 400 m 1.25 mm<sup>2</sup> × 2 cores  
 Within 600 m 2.0 mm<sup>2</sup> × 2 cores

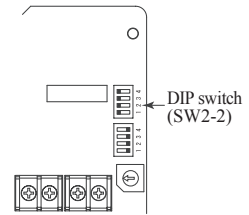
- ③ Clamp the connection cables with cable clamps.

### Connection of wired remote control

Regarding the connection of wired remote control, refer to the installation manual of wired remote control.

① Switch ON the DIP switch SW2-2 (Factory setting : ON) on the interface PCB.

Caution: Wireless remote control attached to the indoor unit can be used in parallel, after connecting the wired remote control. However, some of functions other than the basic functions such as RUN/STOP, temperature setting, etc. may not work properly and may have a mismatch between the display and the actual behavior.



② Wiring connection between the interface and the wired remote control.

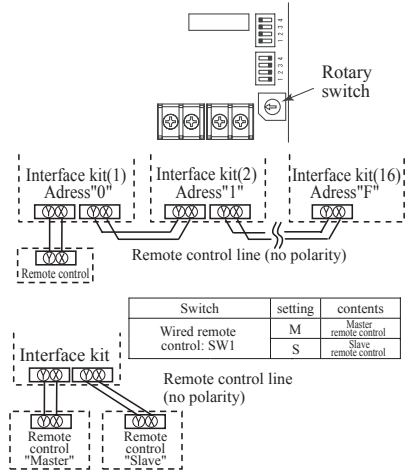
#### Installation and wiring of wired remote control

- Ⓐ Install the wired remote control with reference to the attached installation manual of wired remote control.
  - Ⓑ 0.3mm<sup>2</sup> × 2 cores cable should be used for the wiring of wired remote control.
  - Ⓒ Maximum length of wiring is 600m.  
If the length of wiring exceeds 100m, change the size of cable as mentioned below.  
100m-200m: 0.5mm<sup>2</sup> × 2 cores, 300m or less: 0.75mm<sup>2</sup> × 2 cores, 400m or less: 1.25mm<sup>2</sup> × 2 cores, 600m or less: 2.0mm<sup>2</sup> × 2 cores  
However, cable size connecting to the terminal of wired remote control should not exceed 0.5mm<sup>2</sup>. Accordingly if the size of connection cable exceeds 0.5mm<sup>2</sup>, be sure to downsize it to 0.5mm<sup>2</sup> at the nearest section of the wired remote control and waterproof treatment should be done at the connecting section in order to avoid contact failure.
  - Ⓓ Don't use the multi-core cable to avoid malfunction.
  - Ⓔ Keep the wiring of wired remote control away from grounding (Don't touch it to any metal frame of building, etc.).
  - Ⓕ Connect the connection cables to the terminal blocks of the wired remote control and the interface securely (no polarity).
- ③ Clamp the connection cables with cable clamps.

#### Control of multiple units by a single wired remote control

Multiple units (up to 16) can be controlled by a single wired remote control. In this case, all units connected with a single wired remote control will operate under the same mode and same setting temperature.

- ① Connect all the interface with 2 cores cables of wired remote control line.
- ② Set the address of indoor unit for remote control communication from "0" to "F" with the rotary switch SW1 on the interface PCB.
- ③ After turning the power ON, the address of indoor unit can be displayed by pressing [AIR CON No.] button on the wired remote control.  
Make sure all indoor units connected are displayed in order by pressing [▲] or [▼] button.



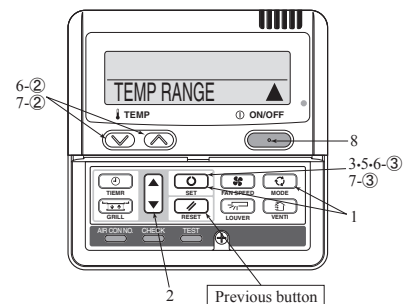
#### Master/Slave setting wired when 2 of wired remote control are used

- Maximum two wired remote control can be connected to one indoor unit (or one group of indoor units)
- ① Set the DIP switch SW1 on the wired remote control to "Slave" for the slave remote control. (Factory setting : Master)
  - Caution : Remote control sensor of the slave remote control is invalid.

- When using the wireless remote control in parallel with the wired remote control;  
Since temperature setting range of wired remote control is different from that of wireless remote control, please adjust the setting range of wired remote control to be the same setting range of wireless remote control by following procedure. (The set temperature may not be displayed correctly on the wireless remote control, unless change of temperature setting range is done.)  
Changing procedure of temperature setting range is as follows.

#### How to set upper and lower limit of temperature setting range

1. Stop the air-conditioner, and press [○] (SET) and [▽] (MODE) button at the same time for 3 seconds or more.  
The indication changes to "FUNCTION SET ▼"
2. Press [▼] button once, and change to the "TEMP RANGE ▲" indication.
3. Press [○] (SET) button, and enter the temperature range setting mode.
4. Confirm that the "Upper limit ▼" is shown on the display.
5. Press [○] (SET) button to fix.
6. ① Indication: "∅ ∇ ∆ SET UP" → "UPPER 28°C ∇ ∆"  
② Select the upper limit value 30°C with temperature setting button [∇]. "UPPER 30°C ∇" (blinking)  
③ Press [○] (SET) button to fix. "UPPER 30°C" (Displayed for two seconds)  
After the fixed upper limit value displayed for two seconds, the indication will return to "UPPER LIMIT ▼".
7. Press [▼] button once, "LOWER LIMIT ▲" is selected, press [○] (SET) button to fix.  
① Indication: "∅ ∇ ∆ SET UP" → "LOWER 20°C ∇ ∆"  
② Select the lower limit value 18°C with temperature setting button [∇]. "LOWER 18°C ∆" (blinking)  
③ Press [○] (SET) button to fix. "LOWER 18°C" (Displayed for two seconds)  
After the fixed lower limit value displayed for two seconds, the indication will return to "LOWER LIMIT ▼"
8. Press [ON/OFF] button to finish.



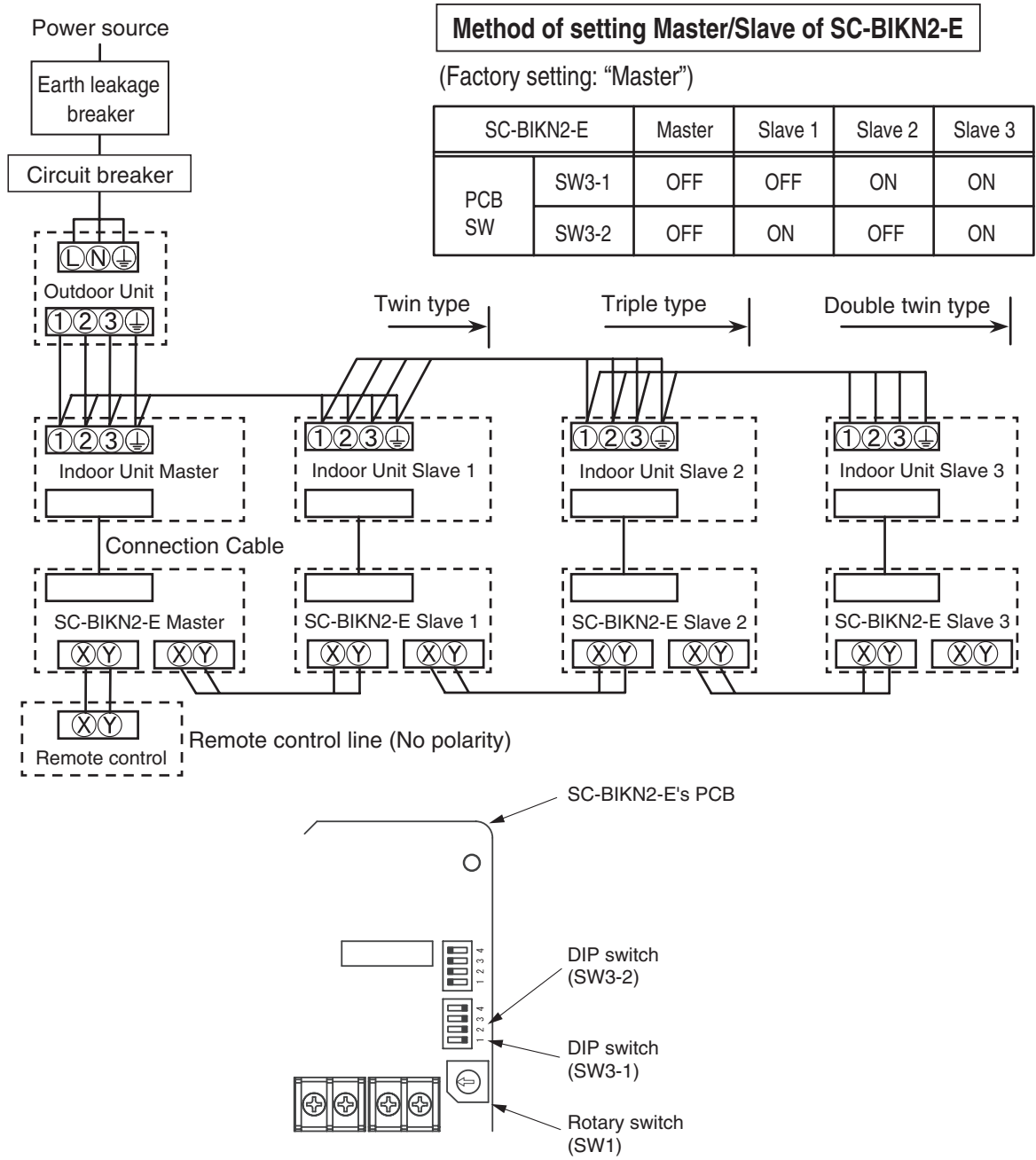
- It is possible to quit in the middle by pressing [ON/OFF] button, but the change of setting is incomplete.
- During setting, if pressing [○] (RESET) button, it returns to the previous screen.

| Mode                        | Temperature setting range |
|-----------------------------|---------------------------|
| Cooling, Heating, Dry, Auto | 18-30°C                   |



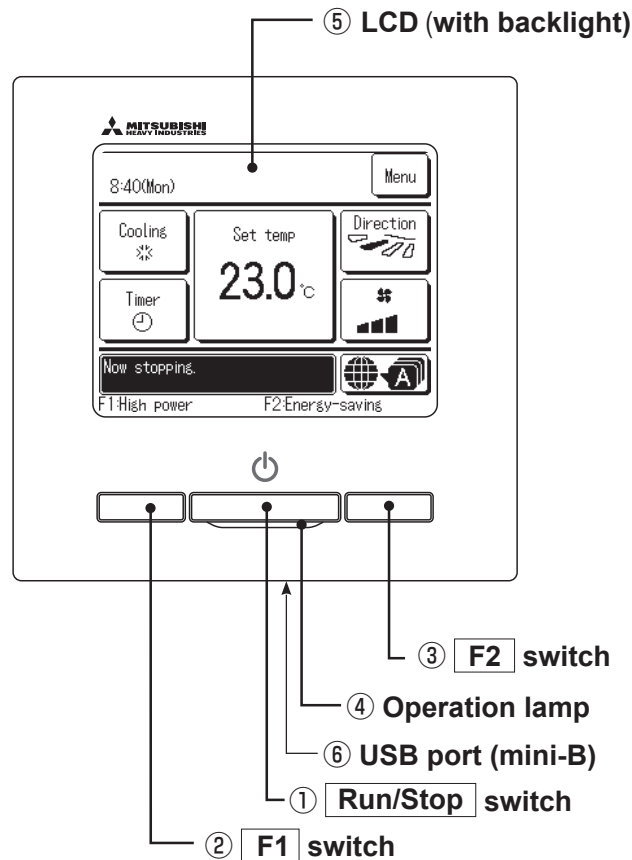
## Cable connection for a V multi configuration installation

- ① Connect the same pairs number of terminal block "①, ②, and ③" and "X and Y" between master and slave indoor units.
- ② Do the same address setting of all inside units belong to same refrigerant system by rotary switch SW1 on SC-BIKN2-E's PCB (Printed circuit board).
- ③ Set slave indoor unit as "slave 1" through "slave 3" by address switch SW3-1, 3-2 on SC-BIKN2-E's PCB.
- ④ When the AIR CON No. button on the remote control unit is pressed after turning on the power, an indoor unit's address number will be displayed. Do not fail to confirm that the connected indoor unit's numbers are displayed on the remote control unit by pressing the ▲ or ▼ button.



## 7. Wired remote control

### (a) Model RC-EX3A



Touch panel system, which is operated by tapping the LCD screen with a finger, is employed for any operations other than the ①Run/Stop, ②F1 and ③F2 switches.

#### ① Run/Stop switch

One push on the button starts operation and another push stops operation.

If the backlight is ON setting, when the screen is tapped while the backlight is turned off, the backlight only is turned on. (Operations with switches ①, ② and ③ are excluded.)

#### ② F1 switch ③ F2 switch

This switch starts operation that is set in F1/F2 function change.

#### ⑥ USB port

USB connector (mini-B) allows connecting to a personal computer.

#### ④ Operation lamp

This lamp lights in green (yellow-green) during operation. It changes to red (orange) if any error occurs.  
Operation lamp luminance can be changed.

For operating methods, refer to the instruction manual attached to the software for personal computer (remote control utility software).

#### ⑤ LCD (with backlight)

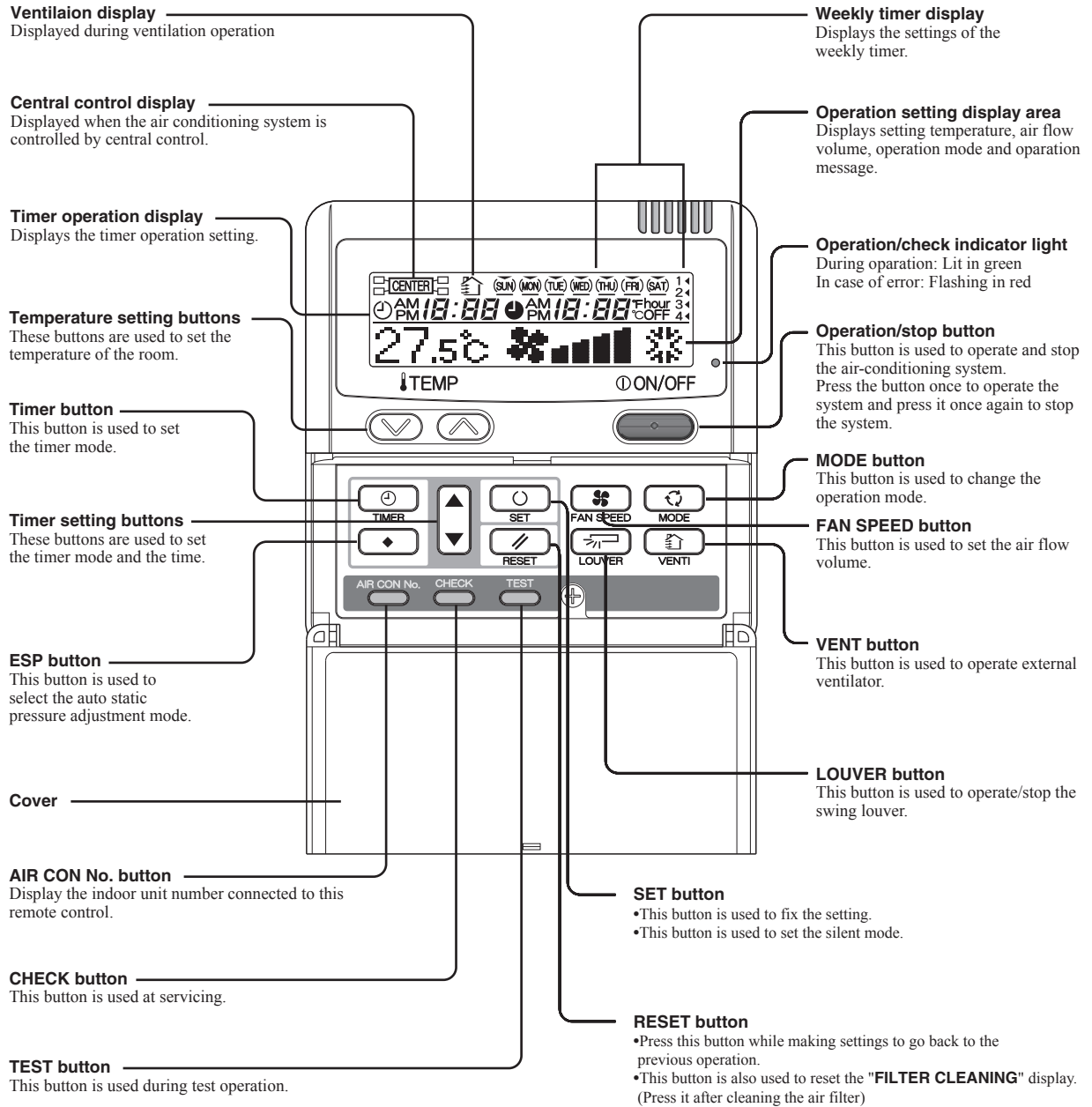
A tap on the LCD lights the backlight.  
The backlight turns off automatically if there is no operation for certain period of time.  
Lighting period of the backlight lighting can be changed.

Note(1) When connecting to a personal computer, do not connect simultaneously with other USB devices.  
Please be sure to connect to the computer directly, without going through a hub, etc.

**(b) Model RC-E5**

The figure below shows the remote control with the cover opened. Note that all the items that may be displayed in the liquid crystal display area are shown in the figure for the sake of explanation. Characters displayed with dots in the liquid crystal display area are abbreviated.

The figure below shows the remote control with the cover opened.



\* All displays are described in the liquid crystal display for explanation.



## 8. Insatallation of wired remote control

PJZ012A171

(a) Model RC-EX3A


### 1) Safety precautions

- Please read this manual carefully before starting installation work to install the unit properly. Every one of the followings is important information to be observed strictly.

|  |   |
|--|---|
|  <b>WARNING</b> | Failure to follow these instructions properly may result in serious consequences such as death, severe injury, etc. |
|  <b>CAUTION</b> | Failure to follow these instructions properly may cause injury or property damage.                                  |

It could have serious consequences depending on the circumstances.

- The following pictograms are used in the text.

|   |   |
|---|---|
|  Never do. |  Always follow the instructions given. |
|---|---|

- Keep this manual at a safe place where you can consult with whenever necessary. Show this manual to installers when moving or repairing the unit. When the ownership of the unit is transferred, this manual should be given to a new owner.

#### **WARNING**



**Consult your dealer or a professional contractor to install the unit.**

Improper installation made on your own may cause electric shocks, fire or dropping of the unit.



**Installation work should be performed properly according to this installation manual.**

Improper installation work may result in electric shocks, fire or break-down.



**Be sure to use accessories and specified parts for installation work.**

Use of unspecified parts may result in drop, fire or electric shocks.



**Install the unit properly to a place with sufficient strength to hold the weight.**

If the place is not strong enough, the unit may drop and cause injury.



**Be sure to have the electrical wiring work done by qualified electrical installer, and use exclusive circuit.**

Power source with insufficient and improper work can cause electric shock and fire.



**Shut OFF the main power source before starting electrical work.**

Otherwise, it could result in electric shocks, break-down or malfunction.



**Do not modify the unit.**

It could cause electric shocks, fire, or break-down.



**Be sure to turn OFF the power circuit breaker before repairing/ inspecting the unit.**

Repairing/inspecting the unit with the power circuit breaker turned ON could cause electric shocks or injury.

**⚠ WARNING****Do not install the unit in appropriate environment or where inflammable gas could generate, flow in, accumulate or leak.**

If the unit is used at places where air contains dense oil mist, steam, organic solvent vapor, corrosive gas (ammonium, sulfuric compound, acid, etc) or where acidic or alkaline solution, special spray, etc. are used, it could cause electric shocks, break-down, smoke or fire as a result of significant deterioration of its performance or corrosion.

**Do not install the unit where water vapor is generated excessively or condensation occurs.**

It could cause electric shocks, fire, or break-down.

**Do not use the unit in a place where it gets wet, such as laundry room.**

It could cause electric shocks, fire, or break-down.

**Do not operate the unit with wet hands.**

It could cause electric shocks.

**Do not wash the unit with water.**

It could cause electric shocks, fire, or break-down.

**Use the specified cables for wiring, and connect them securely with care to protect electronic parts from external forces.**

Improper connections or fixing could cause heat generation, fire, etc.

**Seal the inlet hole for remote control cable with putty.**

If dew, water, insect, etc. enters through the hole, it could cause electric shocks, fire or break-down.

If dew or water enters the unit, it may cause screen display anomalies.

**When installing the unit at a hospital, telecommunication facility, etc., take measures to suppress electric noises.**

It could cause malfunction or break-down due to hazardous effects on the inverter, private power generator, high frequency medical equipment, radio communication equipment, etc.

The influences transmitted from the remote control to medical or communication equipment could disrupt medical activities, video broadcasting or cause noise interference.

**Do not leave the remote control with its upper case removed.**

If dew, water, insect, etc. enters through the hole, it could cause electric shocks, fire or break-down.

---

 CAUTION

---

**Do not install the remote control at following places.**

- (1) It could cause break-down or deformation of remote control.
- Where it is exposed to direct sunlight
  - Where the ambient temperature becomes 0 °C or below, or 40 °C or above
  - Where the surface is not flat
  - Where the strength of installation area is insufficient
- (2) Moisture may be attached to internal parts of the remote control, resulting in a display failure.
- Place with high humidity where condensation occurs on the remote control
  - Where the remote control gets wet
- (3) Accurate room temperature may not be detected using the temperature sensor of the remote control.
- Where the average room temperature cannot be detected
  - Place near the equipment to generate heat
  - Place affected by outside air in opening/closing the door
  - Place exposed to direct sunlight or wind from air-conditioner
  - Where the difference between wall and room temperature is large



---

**To connect to a personal computer via USB, use the dedicated software.****Do not connect other USB devices and the remote control at the same time.**

It could cause malfunction or break-down of the remote control/personal computer.

---

## 2) Accessories & Prepare on site

Following parts are provided.

|             |  |
|-------------|--|
| Accessories | R/C main unit, wood screw (ø3.5 x 16) 2 pcs, Quick reference |
|-------------|--|

Following parts are arranged at site. Prepare them according to the respective installation procedures.

| Item name   | Q'ty        | Remark   |
|---|-------------|--|
| Switch box<br>For 1 piece or 2 pieces (JIS C 8340 or equivalent)                              | 1           | These are not required when installing directly on a wall. |
| Thin wall steel pipe for electric appliance directly on a wall.<br>(JIS C 8305 or equivalent) | As required |  |
| Lock nut, bushing (JIS C 8330 or equivalent)  | As required |  |
| Lacing (JIS C 8425 or equivalent)   | As required | Necessary to run R/C cable on the wall.                    |
| Putty   | Suitably    | For sealing gaps   |
| Molly anchor  | As required |  |
| R/C cable (0.3 mm <sup>2</sup> x 2 pcs)   | As required | See right table when longer than 100 m                     |

When the cable length is longer than 100 m, the max size for wires used in the R/C case is 0.5 mm<sup>2</sup>. Connect them to wires of larger size near the outside of R/C. When wires are connected, take measures to prevent water, etc. from entering inside.

|         |                                |
|---------|--------------------------------|
| ≦ 200 m | 0.5 mm <sup>2</sup> x 2 cores  |
| ≦ 300m  | 0.75 mm <sup>2</sup> x 2 cores |
| ≦ 400m  | 1.25 mm <sup>2</sup> x 2 cores |
| ≦ 600m  | 2.0 mm <sup>2</sup> x 2 cores  |

## 3) Installation place

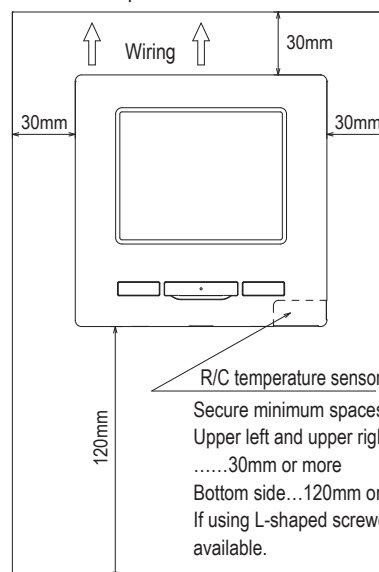
Secure the installation space shown in the figure.

For the installation method, "embedding wiring" or "exposing wiring" can be selected.

For the wiring direction, "Backward", "Upper center" or "Upper left" can be selected.

Determine the installation place in consideration of the installation method and wiring direction.

Installation space



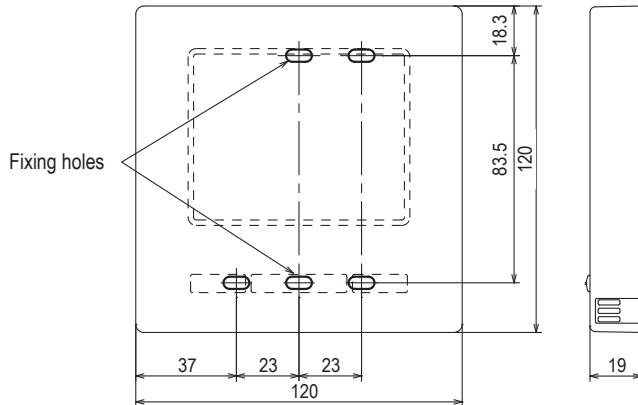
R/C temperature sensor

Secure minimum spaces for disassembling the case.  
 Upper left and upper right sides  
 .....30mm or more  
 Bottom side...120mm or more  
 If using L-shaped screwdriver, 50mm or more is available.

## 4) Installation procedure

Perform installation and wiring work for the remote control according to the following procedure.

Dimensions (Viewed from front)



To disassemble the R/C case into the upper and lower pieces after assembling them once

- Insert the tip of flat head screwdriver or the like in the recess at the lower part of R/C and twist it lightly to remove. It is recommended that the tip of the screwdriver be wrapped with tape to avoid damaging the case.

Take care to protect the removed upper case from moisture or dust.

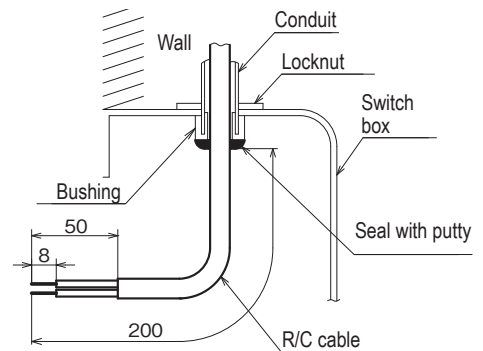
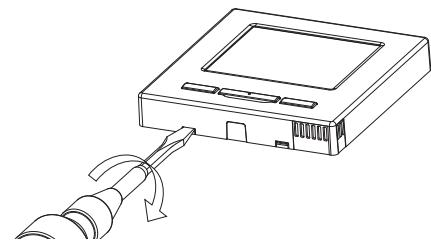
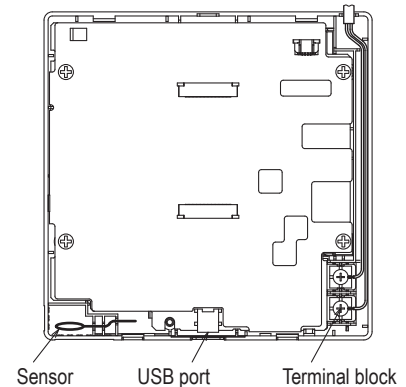
### In case of embedding wiring

(When the wiring is retrieved "Backward")

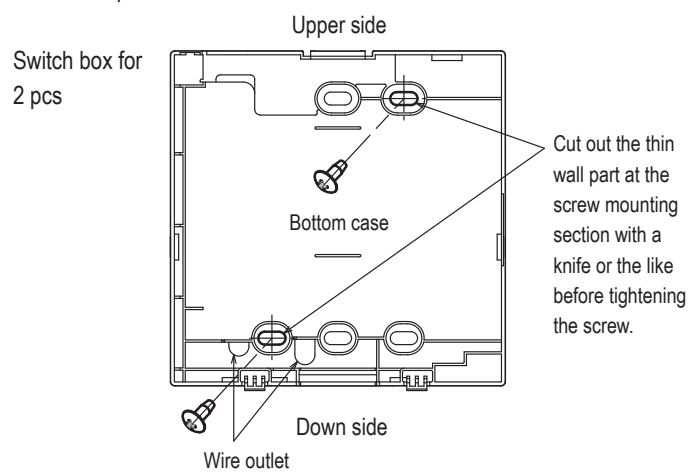
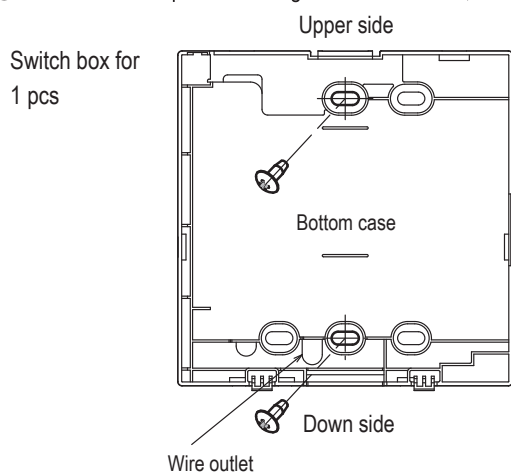
① Embed the switch box and the R/C wires beforehand.

Seal the inlet hole for the R/C wiring with putty.

PCB side (Viewed from rear)



② When wires are passed through the bottom case, fix the bottom case at 2 places on the switch box.





- ③ Connect wires from X and Y terminals of R/C to X and Y terminals of indoor unit. R/C wires (X, Y) have no polarity. Fix wires such that the wires will run around the terminal screws on the top case of R/C.
- ④ Install the upper case with care not to pinch wires of R/C.

**Cautions for wire connection**

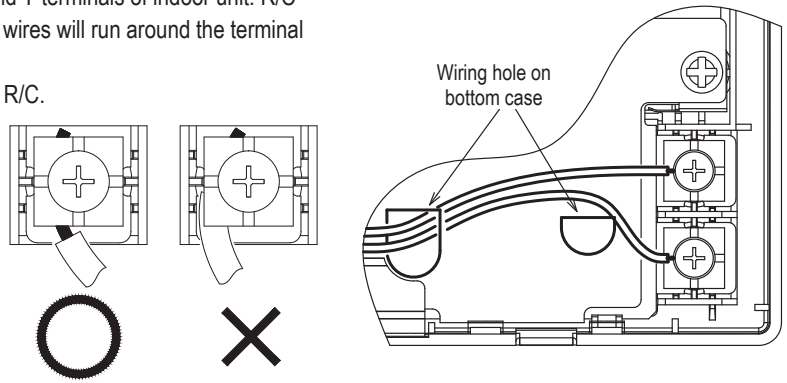
Use wires of no larger than 0.5 mm<sup>2</sup> for wiring running through the remote control case. Take care not to pinch the sheath.

Tighten by hand (0.7 N·m or less) the wire connection. If the wire is connected using an electric driver, it may cause failure or deformation.

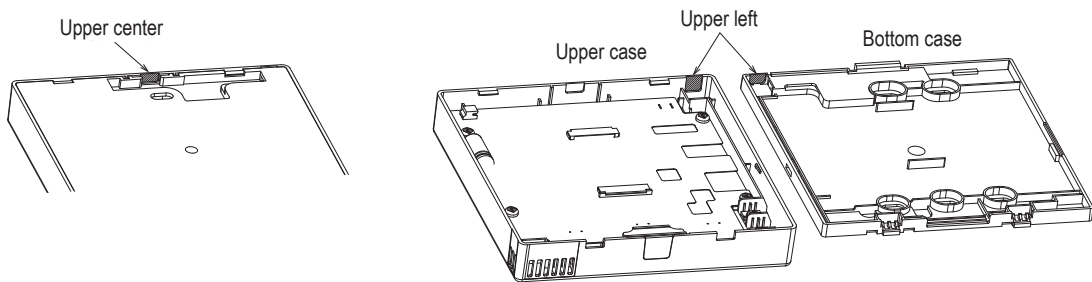
**In case of exposing wiring**

(When the wiring is taken out from the “upper center” or “upper left” of R/C)

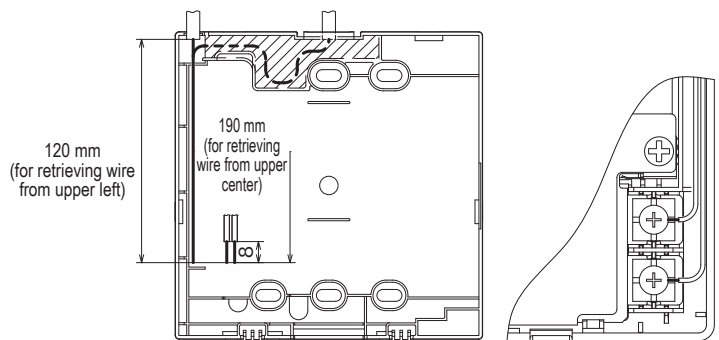
- ① Cut out the thin wall sections on the cases for the size of wire.



When taking the wiring out from the upper center, open a hole before separating the upper and bottom cases. This will reduce risk of damaging the PCB and facilitate subsequent work.  
 When taking the wiring out from the upper left, take care not to damage the PCB and not to leave any chips of cut thin wall inside.



- ② Fix the bottom R/C case on a flat surface with two wood screws.
- ③ In case of the upper center, pass the wiring behind the bottom case. (Hatched section)
- ④ Connect wires from X and Y terminals of R/C to X and Y terminals of indoor unit. R/C wires (X, Y) have no polarity. Fix wires such that the wires will run around the terminal screws on the top case of R/C.
- ⑤ Install the top case with care not to pinch wires of R/C.
- ⑥ Seal the area cut in ① with putty.

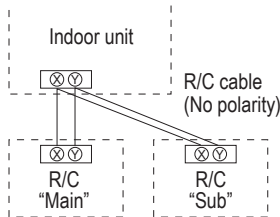


## 5) Main/Sub setting when more than one remote control are used

Up to two units of R/C can be used at the maximum for 1 indoor unit or 1 group.

One is main R/C and the other is sub R/C.

Operating range is different depending on the main or sub R/C.



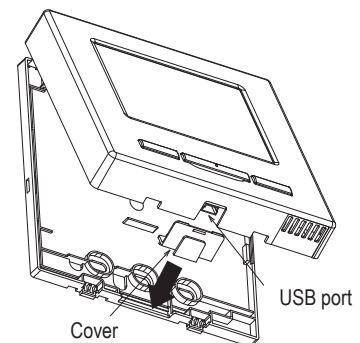
| R/C operations   |                               | Main                           | Sub |   |
|--|-------------------------------|--------------------------------|-----|---|
| Run/Stop, Change set temp., Change flap direction, Auto swing, Change fan speed operations |                               | ○                              | ○   |   |
| High power operation, Energy-saving operation  |                               | ○                              | ○   |   |
| Silent mode control  |                               | ○                              | ×   |   |
| Useful functions   | Individual flap control       | ○                              | ×   |   |
|  | Anti draft setting            | ○                              | ×   |   |
|  | Timer                         | ○                              | ○   |   |
|  | Favorite setting              | ○                              | ○   |   |
|  | Weekly timer                  | ○                              | ×   |   |
|  | Home leave mode               | ○                              | ×   |   |
|  | External ventilation          | ○                              | ○   |   |
|  | Select the language           | ○                              | ○   |   |
|  | Silent mode control           | ○                              | ×   |   |
|  | Energy-saving setting         |                                | ○   | × |
| Filter   | Filter sign reset             | ○                              | ○   |   |
| User setting   | Initial settings              |                                | ○   | ○ |
|  | Administrator settings        | Permission/Prohibition setting | ○   | × |
|  |                               | Outdoor unit silent mode timer | ○   | × |
|  |                               | Setting temp. range            | ○   | × |
|  | Temp increment setting        | ○                              | ×   |   |
|  | Set temp. display             | ○                              | ○   |   |
|  | R/C display setting           | ○                              | ○   |   |
|  | Change administrator password | ○                              | ○   |   |
| F1/F2 function setting   | ○                             | ○                              |     |   |

○ : operable × : not operable

| R/C operations  |                          | Main                         | Sub                        |   |   |
|-----------------|--------------------------|------------------------------|----------------------------|---|---|
| Service setting | Installation settings    | Installation date            | ○                          | × |   |
|                 |                          | Company information          | ○                          | ○ |   |
|                 |                          | Test run                     | ○                          | × |   |
|                 |                          | Static pressure adjustment   | ○                          | × |   |
|                 |                          | Change auto-address          | ○                          | × |   |
|                 |                          | Address setting of main IU   | ○                          | × |   |
|                 |                          | IU back-up function          | ○                          | × |   |
|                 |                          | Motion sensor setting        | ○                          | × |   |
|                 |                          | R/C function settings        | Main/Sub of R/C            | ○ | ○ |
|                 |                          |                              | Return air temp.           | ○ | × |
|                 |                          |                              | R/C sensor                 | ○ | × |
|                 | R/C sensor adjustment    |                              | ○                          | × |   |
|                 | Operation mode           |                              | ○                          | × |   |
|                 | °C / °F                  |                              | ○                          | × |   |
|                 | Fan speed                |                              | ○                          | × |   |
|                 | External input           |                              | ○                          | × |   |
|                 | Upper/lower flap control |                              | ○                          | × |   |
|                 | Left/right flap control  |                              | ○                          | × |   |
|                 | IU settings              | Ventilation setting          | ○                          | × |   |
|                 |                          | Auto-restart                 | ○                          | × |   |
|                 |                          | Auto temp. setting           | ○                          | × |   |
|                 |                          | Auto fan speed               | ○                          | × |   |
|                 |                          | IU address                   |                            | ○ | ○ |
|                 |                          | Next service date            |                            | ○ | × |
|                 | Service & Maintenance    | Operation data               |                            | ○ | × |
|                 |                          | Error display                | Error history              | ○ | ○ |
|                 |                          |                              | Display/erase anomaly data | ○ | × |
|                 |                          |                              | Reset periodical check     | ○ | ○ |
|                 |                          | Saving IU settings           |                            | ○ | × |
|                 |                          | Special settings             | Erase IU address           | ○ | × |
|                 |                          |                              | CPU reset                  | ○ | ○ |
|                 |                          |                              | Restore of default setting | ○ | × |
|                 |                          |                              | Touch panel calibration    | ○ | ○ |
|                 |                          | Indoor unit capacity display |                            | ○ | × |

### Advice: Connection to personal computer

It can be set from a personal computer via the USB port (mini-B). Connect after removing the cover for USB port of upper case. Replace the cover after use. Special software is necessary for the connection. For details, view the web site.



### Advice: Initializing of password

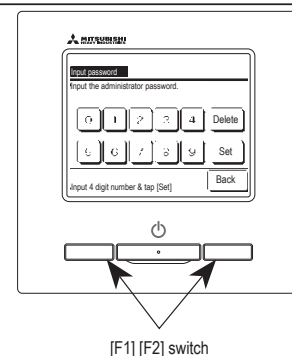
Administrator password (for daily setting items) and service password (for installation, test run and maintenance) are used.

○ The administrator password at factory default is "0000". This setting can be changed (Refer to User's Manual).

If the administrator password is forgotten, it can be initialized by holding down the [F1] and [F2] switches together for five seconds on the administrator password input screen.

○ Service password is "9999", which cannot be changed.

When the administrator password is input, the service password is also accepted.



### Advice



When connecting two or more FDT/FDTC to one R/C, unify the panel type either to a panel with anti draft function or a standard panel.

(b) Model RC-E5

PJA012D730 

Read together with indoor unit's installation manual.



**⚠ WARNING**

- Fasten the wiring to the terminal securely and hold the cable securely so as not to apply unexpected stress on the terminal.  
Loose connection or hold will cause abnormal heat generation or fire. 
- Make sure the power source is turned off when electric wiring work.  
Otherwise, electric shock, malfunction and improper running may occur. 

**⚠ CAUTION**

- Do not install the remote control at the following places in order to avoid malfunction.
 

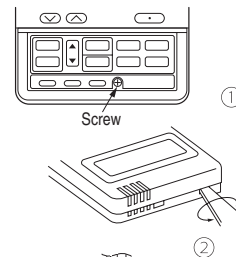
|                                       |   |
|---------------------------------------|---|
| (1) Places exposed to direct sunlight | (4) Hot surface or cold surface enough to generate condensation |
| (2) Places near heat devices          | (5) Places exposed to oil mist or steam directly                |
| (3) High humidity places              | (6) Uneven surface  |


- Do not leave the remote control without the upper case.  
In case the upper case needs to be detached, protect the remote control with a packaging box or bag in order to keep it away from water and dust. 

|                 |  |
|-----------------|--|
| Accessories     | Remote control, wood screw (ø3.5×16) 2 pieces  |
| Prepare on site | Remote control cord (2 cores) the insulation thickness in 1mm or more.<br>[In case of embedding cord] Electrical box, M4 screw (2 pieces)<br>[In case of exposing cord] Cord clamp (if needed) |

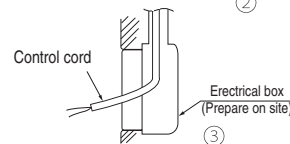
**Installation procedure**

- ① Open the cover of remote control, and remove the screw under the buttons without fail.
- ② Remove the upper case of remote control.  
Insert a flat-blade screwdriver into the dented part of the upper part of the remote control, and wrench slightly.

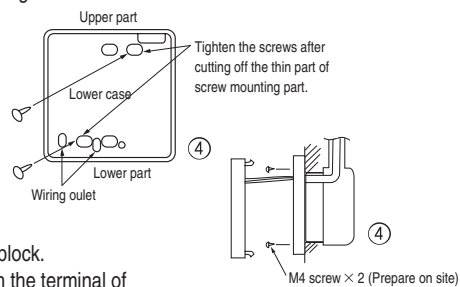
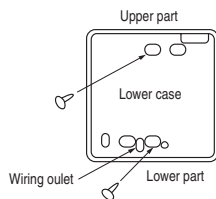


**[In case of embedding cord]**

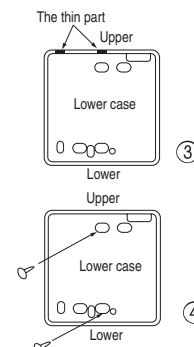
- ③ Embed the electrical box and remote control cord beforehand.



- ④ Prepare two M4 screws (recommended length is 12-16mm) on site, and install the lower case to electrical box. Choose either of the following two positions in fixing it with screws.



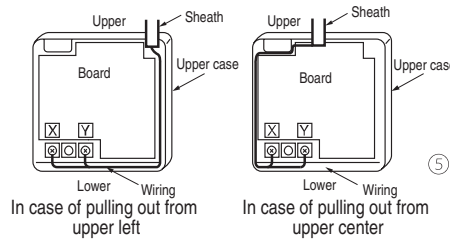
- ⑤ Connect the remote control cord to the terminal block.  
Connect the terminal of remote control (X,Y) with the terminal of indoor unit (X,Y). (X and Y are no polarity)
- ⑥ Install the upper case as before so as not to catch up the remote control cord, and tighten with the screws.



**[In case of exposing cord]**

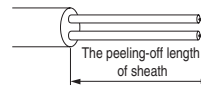
- ③ You can pull out the remote control cord from left upper part or center upper part.  
Cut off the upper thin part of remote control lower case with a nipper or knife, and grind burrs with a file etc.
- ④ Install the lower case to the flat wall with attached two wooden screws.

- ⑤ Connect the remote control cord to the terminal block. Connect the terminal of remote control (X,Y) with the terminal of indoor unit (X,Y). (X and Y are no polarity) Wiring route is as shown in the right diagram depending on the pulling out direction.



The wiring inside the remote control case should be within 0.3mm<sup>2</sup> (recommended) to 0.5mm<sup>2</sup>. The sheath should be peeled off inside the remote control case. The peeling-off length of each wire is as below.

| Pulling out from upper left | Pulling out from upper center |
|-----------------------------|-------------------------------|
| X wiring : 215mm            | X wiring : 170mm              |
| Y wiring : 195mm            | Y wiring : 190mm              |



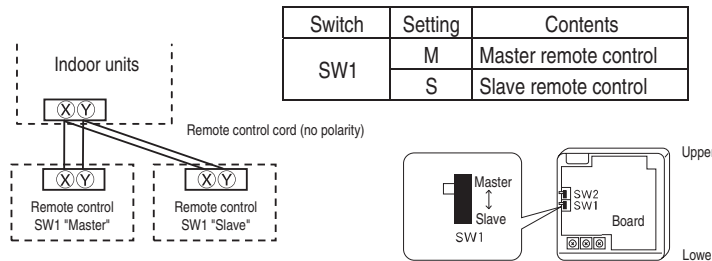
- ⑥ Install the upper case as before so as not to catch up the remote control cord, and tighten with the screws.
- ⑦ In case of exposing cord, fix the cord on the wall with cord clamp so as not to slack.

**Installation and wiring of remote control**

- ① Wiring of remote control should use 0.3mm<sup>2</sup> × 2 core wires or cables. (on-site configuration)
- ② Maximum prolongation of remote control wiring is 600 m. If the prolongation is over 100m, change to the size below. But, wiring in the remote control case should be under 0.5mm<sup>2</sup>. Change the wire size outside of the case according to wire connecting. Waterproof treatment is necessary at the wire connecting section. Be careful about contact failure.
  - 100 - 200m.....0.5mm<sup>2</sup> × 2 cores
  - Under 300m.....0.75mm<sup>2</sup> × 2 cores
  - Under 400m.....1.25mm<sup>2</sup> × 2 cores
  - Under 600m.....2.0mm<sup>2</sup> × 2 cores

**Master/ slave setting when more than one remote controls are used**

A maximum of two remote controls can be connected to one indoor unit (or one group of indoor units.)



Set SW1 to "Slave" for the slave remote control. It was factory set to "Master" for shipment.

Note: The setting "Remote control sensor enabled" is only selectable with the master remote control in the position where you want to check room temperature.

The air-conditioner operation follows the last operation of the remote control regardless of the master/ slave setting of it.

**The indication when power source is supplied**

When power source is turned on, the following is displayed on the remote control until the communication between the remote control and indoor unit settled.

Master remote control : " WAIT " "M"  
 Slave remote control : " WAIT " "S"

At the same time, a mark or a number will be displayed for two seconds first. This is the software's administration number of the remote control, not an error cord.



When remote control cannot communicate with the indoor unit for half an hour, the below indication will appear.

Check wiring of the indoor unit and the outdoor unit etc.



**The range of temperature setting**

When shipped, the range of set temperature differs depending on the operation mode as below.

Heating : 16-30°C (55-86°F)

Except heating (cooling, fan, dry, automatic) : 18-30°C (62-86°F)

**●Upper limit and lower limit of set temperature can be changed with remote control.**

Upper limit setting: valid during heating operation. Possible to set in the range of 20 to 30°C (68 to 86°F).

Lower limit setting: valid except heating (automatic, cooling, fan, dry) Possible to set in the range of 18 to 26°C (62 to 79°F).

When you set upper and lower limit by this function, control as below.

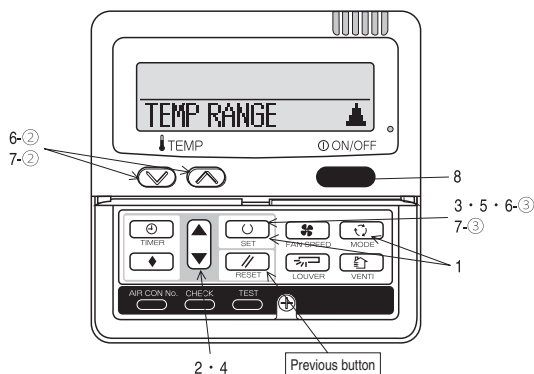
1. When ⑫ TEMP RANGE SET, remote control function of function setting mode is "INDN CHANGE" (factory setting),
  - 【 If upper limit value is set 】  
During heating, you cannot set the value exceeding the upper limit.
  - 【 If lower limit value is set 】  
During operation mode except heating, you cannot set the value below the lower limit.
2. When ⑫ TEMP RANGE SET, remote control function of function setting mode is "NO INDN CHANGE"
  - 【 If upper limit value is set 】  
During heating, even if the value exceeding the upper limit is set, upper limit value will be sent to the indoor unit. But, the indication is the same as the temperature set.
  - 【 If lower limit value is set 】  
During except heating, even if the value lower than the lower limit is set, lower limit value will be sent to the indoor unit. But, the indication is the same as the temperature set.

**●How to set upper and lower limit value**

1. Stop the air-conditioner, and press (SET) and (MODE) button at the same time for over three seconds .  
The indication changes to "FUNCTION SET ▼".
2. Press button once, and change to the "TEMP RANGE ▲" indication.
3. Press (SET) button, and enter the temperature range setting mode.
4. Select "UPPER LIMIT ▼" or "LOWER LIMIT ▲" by using button.
5. Press (SET) button to fix.
6. When "UPPER LIMIT ▼" is selected (valid during heating)
  - ① Indication: " ^ SET UP" → "UPPER 30°C ^"
  - ② Select the upper limit value with temperature setting button . Indication example: "UPPER 26°C ^" (blinking)
  - ③ Press (SET) button to fix. Indication example: "UPPER 26°C" (Displayed for two seconds)  
After the fixed upper limit value displayed for two seconds, the indication will return to "UPPER LIMIT ▼".
7. When "LOWER LIMIT ▲" is selected (valid during cooling, dry, fan, automatic)
  - ① Indication: " ^ SET UP" → "LOWER 18°C ^"
  - ② Select the lower limit value with temperature setting button . Indication example: "LOWER 24°C ^" (blinking)
  - ③ Press (SET) button to fix. Indication for example: "LOWER 24°C" (Displayed for two seconds)  
After the fixed lower limit value displayed for two seconds, the indication will return to "LOWER LIMIT ▼".
8. Press button to finish.

• It is possible to finish by pressing button on the way, but unfinished change of setting is unavailable.

• During setting, if you press (RESET) button, you return to the previous screen.



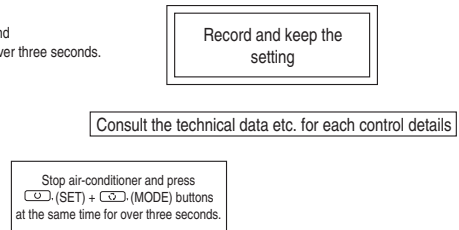
**The functional setting**

● The initial function setting for typical using is performed automatically by the indoor unit connected, when remote control and indoor unit are connected.  
 As long as they are used in a typical manner, there will be no need to change the initial settings.  
 If you would like to change the initial setting marked "○", set your desired setting as for the selected item.  
 The procedure of functional setting is shown as the following diagram.

**[Flow of function setting]**

Start : Stop air-conditioner and press "○" (SET) and "⇄" (MODE) buttons at the same time for over three seconds.  
 Finalize : Press "○" (SET) button.  
 Reset : Press "↺" (RESET) button.  
 Select : Press "▲" (UP) button.  
 End : Press "ON/OFF" button.

It is possible to finish above setting on the way, and unfinished change of setting is unavailable.  
 "○": Initial settings  
 "※": Automatic criterion



To next page

**FUNCTION SET** (Remote control function)

| Function                      | setting         |  |
|-------------------------------|-----------------|--|
| 01   ESP SET                  | ESP VALID       | ○ Validate setting of ESP: External Static Pressure  |
|                               | ESP INVALID     | ○ Invalidate setting of ESP  |
| 02   AUTO RUN SET             | AUTO RUN ON     | ※ Automatic operation is impossible  |
|                               | AUTO RUN OFF    | ※  |
| 03   TEMP SW                  | VALID           | ○ Temperature setting button is not working  |
|                               | INVALID         | ○  |
| 04   MODE SW                  | VALID           | ○ Mode button is not working   |
|                               | INVALID         | ○  |
| 05   ON/OFF SW                | VALID           | ○ On/Off button is not working   |
|                               | INVALID         | ○  |
| 06   FAN SPEED SW             | VALID           | ○ Fan speed button is not working  |
|                               | INVALID         | ○  |
| 07   LOUVER SW                | VALID           | ○ Louver button is not working   |
|                               | INVALID         | ○  |
| 08   TIMER SW                 | VALID           | ○ Timer button is not working  |
|                               | INVALID         | ○  |
| *09   SENSOR SET              | SENSOR OFF      | ○ Remote sensor is not working.  |
|                               | SENSOR ON       | ○ Remote sensor is working.  |
|                               | SENSOR +3.0℃    | ○ Remote sensor is working, and to be set for producing +3.0°C increase in temperature.  |
|                               | SENSOR +2.0℃    | ○ Remote sensor is working, and to be set for producing +2.0°C increase in temperature.  |
|                               | SENSOR +1.0℃    | ○ Remote sensor is working, and to be set for producing +1.0°C increase in temperature.  |
|                               | SENSOR -1.0℃    | ○ Remote sensor is working, and to be set for producing -1.0°C increase in temperature.  |
|                               | SENSOR -2.0℃    | ○ Remote sensor is working, and to be set for producing -2.0°C increase in temperature.  |
| 10   AUTO RESTART             | INVALID         | ○  |
|                               | VALID           | ○  |
| *11   VENT LINK SET           | NO VENT         | ○ In case of Single split series, by connecting ventilation device to CnT of the indoor printed circuit board (in case of VRF series, by connecting it to CnD of the indoor printed circuit board), the operation of ventilation device is linked with the operation of indoor unit. |
|                               | VENT LINK       | ○ In case of Single split series, by connecting ventilation device to CnT of the indoor printed circuit board (in case of VRF series, by connecting it to CnD of the indoor printed circuit board), you can operate /stop the ventilation device independently by (VENT) button.     |
|                               | NO VENT LINK    | ○  |
| 12   TEMP RANGE SET           | INDON CHANGE    | ○ If you change the range of set temperature, the indication of set temperature will vary following the control.   |
|                               | NO INDON CHANGE | ○ If you change the range of set temperature, the indication of set temperature will not vary following the control, and keep the set temperature.   |
| 13   FAN FAN                  | HI-NOLO         | ○ Air flow of fan becomes of  or the four speed of .   |
|                               | HI-LO           | ○ Air flow of fan becomes of .   |
|                               | HI-NO           | ○ Air flow of fan becomes of .   |
|                               | 1 FAN SPEED     | ○ Air flow of fan is fixed at one speed.   |
| 14   POSITION                 | POSITION STOP   | ○ If you change the remote control function "14 POSITION", you must change the indoor function "04 POSITION" accordingly. You can select the louver stop position in the four.   |
|                               | FREE STOP       | ○ The louver can stop at any position.   |
| 15   MODEL TYPE               | HEAT PUMP       | ○  |
|                               | COOLING ONLY    | ○  |
| 16   EXTERNAL CONTROL SET     | INDIVIDUAL      | ○ If you input signal into CnT of the indoor printed circuit board from external, the indoor unit will be operated independently according to the input from external.   |
|                               | FOR ALL UNITS   | ○ If you input into CnT of the indoor printed circuit board from external, all units which connect to the same remote control are operated according to the input from external.   |
| 17   ROOM TEMP INDICATION SET | INDICATION OFF  | ○ In normal working indication, indoor unit temperature is indicated instead of air flow.  |
|                               | INDICATION ON   | ○ (Only the master remote control can be indicated.)   |
| 18   INDICATION               | INDICATION ON   | ○ Heating preparation indication should not be indicated.  |
|                               | INDICATION OFF  | ○  |
| 19   °F SET                   | °C              | ○ Temperature indication is by degree C  |
|                               | °F              | ○ Temperature indication is by degree F  |

To next page

Note (1)\*The mark cannot use SRK series.

ON/OFF button (finished)

Note 1: The initial setting marked "※" is decided by connected indoor and outdoor unit, and is automatically defined as following table.

| Function No.              | Item         | Default            | Model  |
|---------------------------|--------------|--------------------|--|
| Remote control function02 | AUTO RUN SET | AUTO RUN ON        | "Auto-RUN" mode selectable indoor unit.                |
|                           |              | AUTO RUN OFF       | Indoor unit without "Auto-RUN" mode                    |
| Remote control function06 | FAN SPEED SW | 2 SPEED VALID      | Indoor unit with two or three step of air flow setting |
|                           |              | 1 SPEED INVALID    | Indoor unit with only one of air flow setting          |
| Remote control function07 | LOUVER SW    | 2 POSITION VALID   | Indoor unit with automatically swing louver            |
|                           |              | 1 POSITION INVALID | Indoor unit without automatically swing louver         |
| Remote control function13 | I/U FAN      | HI-MED-LO          | Indoor unit with three step of air flow setting        |
|                           |              | HI-LO              | Indoor unit with two step of air flow setting          |
|                           |              | HI-MED             |  |
|                           |              | 1 FAN SPEED        | Indoor unit with only one of air flow setting          |
| Remote control function15 | MODEL TYPE   | HEAT PUMP          | Heat pump unit   |
|                           |              | COOLING ONLY       | Exclusive cooling unit                                 |

Note 3: As for plural indoor unit, set indoor functions to each master and slave indoor unit.  
 But only master indoor unit is received the setting change of indoor unit function "05 EXTERNAL INPUT" and "06 PERMISSION / PROHIBITION".

From previous page

Indoor unit No. are indicated only when plural indoor units are connected.

To set other indoor unit, press [AIR CON No.] button, which allows you to go back to the indoor unit selection screen (for example: I/U 000 ▲).

| Function                     | setting           |   |
|------------------------------|-------------------|---|
| *02 FAN SPEED SET            | STANDARD          | ※ |
|                              | HIGH SPEED 1      | ※ |
|                              | HIGH SPEED 2      |   |
| *03 FILTER SIGN SET          | INDICATION OFF    |   |
|                              | TYPE 1            | ○ |
|                              | TYPE 2            |   |
|                              | TYPE 3            |   |
|                              | TYPE 4            |   |
| 04 LOUVER POSITION           | 4 POSITION STOP   | ○ |
|                              | FREE STOP         |   |
| 05 EXTERNAL INPUT            | LEVEL INPUT       | ○ |
|                              | PULSE INPUT       |   |
| 06 PERMISSION/PROHIBITION    | INVALID           | ○ |
|                              | VALID             |   |
| *07 EMERGENCY STOP           | INVALID           | ○ |
|                              | VALID             |   |
| *08 ※ SP OFFSET              | OFFSET +3.0℃      |   |
|                              | OFFSET +2.0℃      |   |
|                              | OFFSET +1.0℃      |   |
|                              | NO OFFSET         | ○ |
| *09 RETURN AIR TEMP          | OFFSET +2.0℃      |   |
|                              | OFFSET +1.5℃      |   |
|                              | OFFSET +1.0℃      |   |
|                              | NO OFFSET         | ○ |
|                              | OFFSET -1.0℃      |   |
|                              | OFFSET -1.5℃      |   |
|                              | OFFSET -2.0℃      |   |
| *10 ※ FAN CONTROL            | LOW FAN SPEED     | ○ |
|                              | SET FAN SPEED     |   |
|                              | INTERMITTENCE     |   |
|                              | FAN OFF           |   |
| *11 FROST PREVENTION TEMP    | TEMP HIGH         |   |
|                              | TEMP LOW          | ○ |
| *12 FROST PREVENTION CONTROL | FAN CONTROL ON    | ○ |
|                              | FAN CONTROL OFF   |   |
| *13 DRAIN PUMP LINK          | ※○                | ○ |
|                              | ※○AND※            |   |
|                              | ※○AND※AND※        |   |
|                              | ※○AND※            |   |
| *14 ※ FAN REMAINING          | NO REMAINING      | ○ |
|                              | 0.5 HOUR          |   |
|                              | 1 HOUR            |   |
|                              | 6 HOUR            |   |
| *15 ※ FAN REMAINING          | NO REMAINING      | ○ |
|                              | 0.5 HOUR          |   |
|                              | 2 HOUR            |   |
|                              | 6 HOUR            |   |
| *16 ※ FAN INTERMITTENCE      | NO REMAINING      | ○ |
|                              | 20min OFF 5min ON |   |
|                              | 5min OFF 5min ON  |   |
| *17 PRESSURE CONTROL         | STANDARD          | ※ |
|                              | TYPE 1            | ※ |

Note2: Fan setting of "HIGH SPEED"

| Fan tap       | Indoor unit air flow setting |                   |              |         |         |
|---------------|------------------------------|-------------------|--------------|---------|---------|
|               | UH - Hi - Me - Lo            | Hi - Me - Lo      | Hi - Lo      | Hi - Me |         |
| FAN SPEED SET | STANDARD                     | UH - Hi - Me - Lo | Hi - Me - Lo | Hi - Lo | Hi - Me |
|               | HIGH SPEED1, 2               | UH - UH - Hi - Me | UH - Hi - Me | UH - Me | UH - Hi |

Initial function setting of some indoor unit is "HIGH SPEED".  
 4 speed is not able to be set with wireless remote control.

The filter sign is indicated after running for 180 hours.  
 The filter sign is indicated after running for 600 hours.  
 The filter sign is indicated after running for 1000 hours.  
 The filter sign is indicated after running for 1000 hours, then the indoor unit will be stopped by compulsion after 24 hours.

If you change the indoor function "04 LOUVER POSITION", you must change the remote control function "14 LOUVER POSITION" accordingly.  
 You can select the lower stop position in the four.  
 The louver can stop at any position.

Permission/prohibition control of operation will be valid.

With the VRF series, it is used to stop all indoor units connected with the same outdoor unit immediately.  
 When stop signal is inputted from remote on-off terminal "CnT-6", all indoor units are stopped immediately.

To be reset for producing +3.0℃ increase in temperature during heating.  
 To be reset for producing +2.0℃ increase in temperature during heating.  
 To be reset for producing +1.0℃ increase in temperature during heating.

To be reset producing +2.0℃ increase in return air temperature of indoor unit.  
 To be reset producing +1.5℃ increase in return air temperature of indoor unit.  
 To be reset producing +1.0℃ increase in return air temperature of indoor unit.

To be reset producing -1.0℃ increase in return air temperature of indoor unit.  
 To be reset producing -1.5℃ increase in return air temperature of indoor unit.  
 To be reset producing -2.0℃ increase in return air temperature of indoor unit.

When heating thermostat is OFF, fan speed is low speed.  
 When heating thermostat is OFF, fan speed is set speed.

When heating thermostat is OFF, fan speed is operated intermittently.  
 When heating thermostat is OFF, the fan is stopped.  
 When the remote sensor is working, "FAN OFF" is set automatically.  
 Do not set "FAN OFF" when the indoor unit's sensor is working.

Change of indoor heat exchanger temperature to start frost prevention control.

Working only with the single split series.  
 To control frost prevention, the indoor fan tap is raised.

Drain pump is run during cooling and dry.  
 Drain pump is run during cooling, dry and heating.  
 Drain pump is run during cooling, dry, heating and fan.  
 Drain pump is run during cooling, dry and fan.

After cooling is stopped, the fan does not perform extra operation.  
 After cooling is stopped, the fan perform extra operation for half an hour.  
 After cooling is stopped, the fan perform extra operation for an hour.  
 After cooling is stopped, the fan perform extra operation for six hours.

After heating is stopped or heating thermostat is OFF, the fan does not perform extra operation.  
 After heating is stopped or heating thermostat is OFF, the fan perform extra operation for half an hour.  
 After heating is stopped or heating thermostat is OFF, the fan perform extra operation for two hours.  
 After heating is stopped or heating thermostat is OFF, the fan perform extra operation for six hours.

During heating is stopped or heating thermostat is OFF, the fan perform intermittent operation for five minutes with low fan speed after twenty minutes' OFF.  
 During heating is stopped or heating thermostat is OFF, the fan perform intermittent operation for five minutes with low fan speed after five minutes' OFF.

Connected "OA Processing" type indoor unit, and is automatically defined.

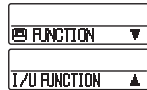
From previous page

**How to set function**

1. Stop air-conditioner and press (SET) (MODE) buttons at the same time for over three seconds, and the "FUNCTION SET ▼" will be displayed.



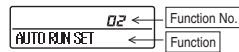
2. Press (SET) button.
3. Make sure which do you want to set, "FUNCTION ▼" (remote control function) or "I/U FUNCTION ▲" (indoor unit function).
4. Press ▲ or ▼ button.  
Select "FUNCTION ▼" (remote control function) or "I/U FUNCTION ▲" (indoor unit function).



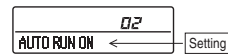
5. Press (SET) button.

**【On the occasion of remote control function selection】**

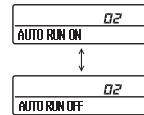
- ① "DATA LOADING" (Indication with blinking)  
↓  
Display is changed to "01 ESP SET".
- ② Press ▲ or ▼ button.  
"No. and function" are indicated by turns on the remote control function table, then you can select from them.  
(For example)



- ③ Press (SET) button.  
The current setting of selected function is indicated.  
(for example) "AUTO RUN ON" ← If "02 AUTO RUN SET" is selected



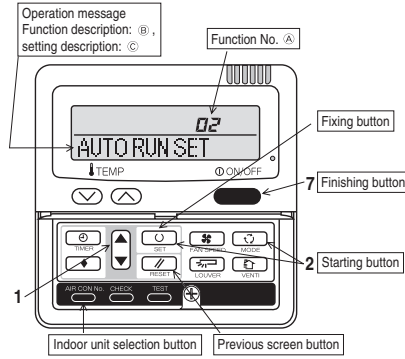
- ④ Press ▲ or ▼ button.  
Select the setting.



- ⑤ Press (SET) button.  
"SET COMPLETE" will be indicated, and the setting will be completed.  
Then after "No. and function" indication returns, Set as the same procedure if you want to set continuously, and if to finish, go to 7.



7. Press (ON/OFF) button.  
Setting is finished.

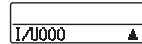


**【On the occasion of indoor unit function selection】**

- ① "DATA LOADING" (Blinking for 2 to 23 seconds to read the data)  
↓  
Indication is changed to "02 FAN SPEED SET".  
Go to ②.

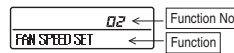
**[Note]**

- (1) If plural indoor units are connected to a remote control, the indication is "I/U 000" (blinking) ← The lowest number of the indoor unit connected is indicated.

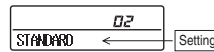


- (2) Press ▲ or ▼ button.  
Select the number of the indoor unit you are to set.  
If you select "ALL UNIT ▼", you can set the same setting with all unites.
- (3) Press (SET) button.

- ② Press ▲ or ▼ button.  
"No. and function" are indicated by turns on the indoor unit function table, then you can select from them.  
(For example)



- ③ Press (SET) button.  
The current setting of selected function is indicated.  
(For example) "STANDARD" ← If "02 FAN SPEED SET" is selected.



- ④ Press ▲ or ▼ button.  
Select the setting.

- ⑤ Press (SET) button.  
"SET COMPLETE" will be indicated, and the setting will be completed.  
Then after "No. and function" indication returns, set as the same procedure if you want to set continuously, and if to finish, go to 7.



※ When plural indoor units are connected to a remote control, press the (AIR CON No.) button, which allows you to go back to the indoor unit selection screen. (example "I/U 000 ▲")


- It is possible to finish by pressing (ON/OFF) button on the way, but unfinished change of setting is unavailable.
- During setting, if you press (RESET) button, you return to the previous screen.
- Setting is memorized in the control and it is saved independently of power failure.

**【How to check the current setting】**

When you select from "No. and function" and press set button by the previous operation, the "Setting" displayed first is the current setting.  
(But, if you select "ALL UNIT ▼", the setting of the lowest number indoor unit is displayed.)



## 9. Superlink E board (SC-ADNA-E)

PJZ012D029K 

- Read and understand the instructions completely before starting installation.
- Refer to the instructions for both indoor and outdoor units.

### Safety precautions

- Carefully read "Safety precautions" first. Follow the instructions for installation.
- Precautions are grouped into "Warning⚠" and "Caution⚠". The "Warning⚠" group includes items that may lead to serious injury or death if not observed. The items included in the "Caution⚠" group also may lead to serious results under certain conditions. Both groups are crucial for safety installation. Read and understand them carefully.
- After installation, conduct the test operation of the device to check for any abnormalities. Describe how to operate the device to the customer following the installation instruction manual. Instruct the customer to keep this installation instruction for future reference.

#### ⚠WARNING

- This device should be installed by the dealer where you purchase the device or a licensed professional shop. If the device is incorrectly installed by the customer, it may result in electric shock or fire.
- Install the device carefully following the installation instruction. If the device is incorrectly installed, it may result in electric shock or fire.
- Use the accessory parts and specified parts for installation. If any parts that do not match the specifications are used, it may result in electric shock or fire.
- A person with the electrical service certification should conduct the service based on the "Technical standards for electrical facilities", "Electrical Wiring Code", and the installation instruction. If the work is done incorrectly, it may result in electric shock or fire.
- Wiring should be securely connected using the specified types of wire. No external force on the wire should be applied to any terminals. If a secure connection is not achieved, it may result in electric shock or fire.

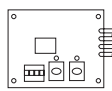
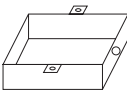
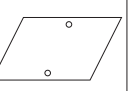
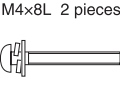
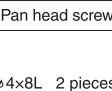
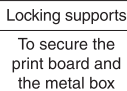
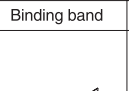

#### ⚠CAUTION

- Provide ground connection.  
The ground line should never be connected to the gas supply piping, the water supply piping, the lightning conductor rod, nor the telephone ground. If the grounding is improper, it may result in electric shock.
- Do not install the device in the following locations.
  1. Where there is mist/spray of oil or steam such as kitchens.
  2. Where there is corrosive gases such as sulfurous acid gas.
  3. Where there is a device generating electromagnetic waves.  
These may interfere with the control system resulting in the device becoming uncontrollable.
  4. Where flammable volatile materials such as paint thinner and gasoline may exist or where they are handled. This may cause a fire.

### 1 Application

Indoor-to-outdoor three core communication specification type 3 (since October 2007)

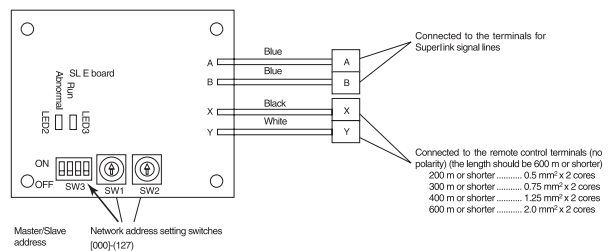
### 2 Accessories

|  |  |   |   |
|--|--|---|---|
| <br>SL E board                        | <br>Metal box   | <br>Metal cover  | <br>M4x8L 2 pieces |
| <br>Pan head screws<br>φ4x8L 2 pieces | <br>Locking supports<br>To secure the print board and the metal box<br>Made of nylon 4 pieces | <br>Binding band | <br>Grommet        |

### 5 Connection outline

#### Note for setting the address

- Set the address between 00 and 47 for the previous Superlink connection and between 000 and 127 for the new Superlink connection. (\*1)
- Do not set the address overlapping with those of the other devices in the network. (The default is 000)



(\*1) Whether the actual link is either the new Superlink or the previous Superlink depends on the models of the connected outdoor and indoor units. Consult the agent or the dealer.

### 3 Function

Allowing the central control SL1N-E, SL2N-E, and SL4-AE/BE to control and monitor the commercial air-conditioning unit.

### 4 Control switching

Settings can be changed by the switch SW3 on the SL E board as in the following.

| Switch | Symbol | Switch        | Remarks   |
|--------|--------|---------------|---|
| SW3    | 1      | ON            | Master  |
|        |        | OFF (default) | Slave   |
|        | 2      | ON            | Fixed previous protocol   |
|        |        | OFF (default) | Automatic adjustment of Superlink protocol                                    |
|        | 3      | ON            | Indicates the forced operation stop when abnormality has occurred.            |
|        |        | OFF (default) | Indicates the status of running/stop as it is, when abnormality has occurred. |
|        | 4      | ON            | The hundredth address activated "1"   |
|        |        | OFF (default) | The hundredth address activated "0"   |

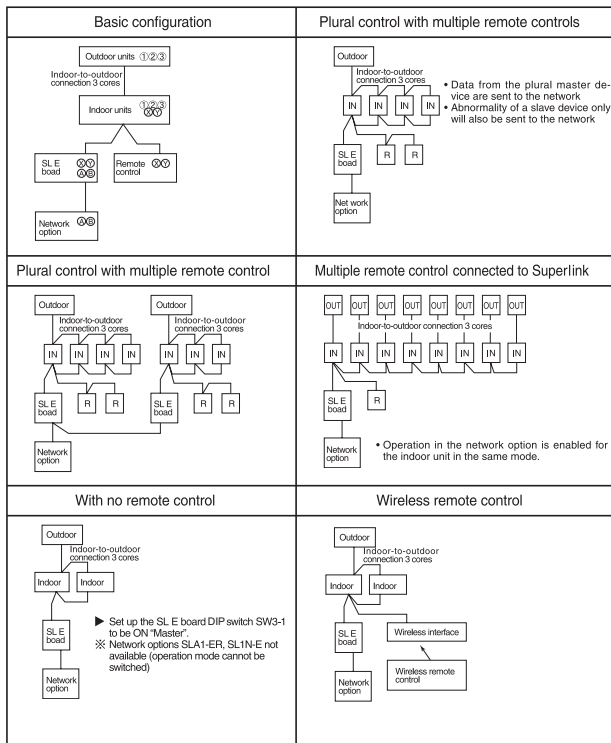
#### Signal line specification

| Communication method         | Previous Superlink         | New Superlink            |
|------------------------------|----------------------------|--------------------------|
| Line type                    | MVVS                       | MVVS                     |
| Line diameter                | 0.75 - 1.25mm <sup>2</sup> | 0.75/1.25mm <sup>2</sup> |
| Signal line (total length)   | up to 1000m                | up to 1500/1000m (*2)    |
| Signal line (maximum length) | up to 1000m                | up to 1000m              |

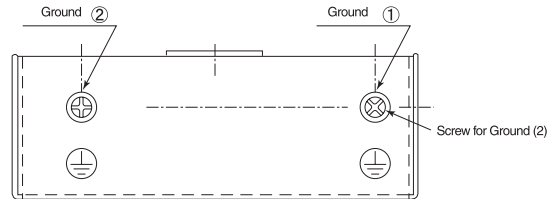
(\*2) Up to 1500 m for 0.75 mm<sup>2</sup>, and up to 1000 m for 1.25 mm<sup>2</sup>. Do not use 2.0 mm<sup>2</sup>. It may cause an error.

(\*3) Connect grounding on both ends of the shielding wire. For the grounding method, refer to the section "6 Installation".

- (1) Set the Superlink network address with SW1 (tens place), SW2 (ones place), and SW3 (hundreds place).
- (2) Set the SL E board SW3-1 to be ON (Master) when using this without any remote control (no wired remote control nor wireless remote control).
- (3) Set up the plural master/slave device using the DIP switches on the indoor unit board.
- (4) Set up the remote control master/slave device using the slide switch on the remote control board.
- (5) Set up "0" to "F" using the address rotary switch on the indoor unit board when controlling the indoor unit with the multiple remote control.

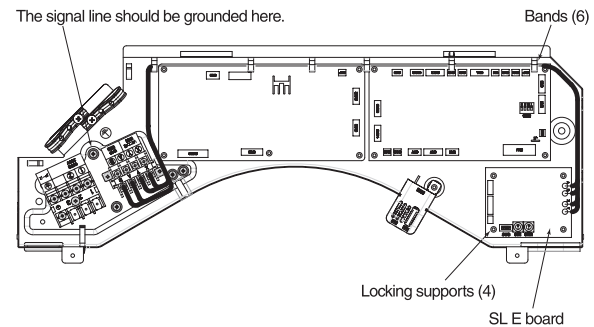


Connect grounding. Connect grounding for the power line to Ground ①, and grounding for the signal line to Ground ② or to the Ground on the indoor unit control box.



2. When connecting to the indoor unit control box (ceiling-concealed type and FDT type only):

- (1) Mount the SL E board in the control box using the locking supports.
- (2) Remove 6 bands from the box and put the wiring through the bands to be secured.



Electrical shock hazard! Make sure to turn the power off for servicing. Be cautious so that no abnormal force should be applied to the wiring. Do not let the SL E board hang by the wiring. Do not damage the board with a screw driver.

The board is sensitive to static electricity. Release the static electricity of your body before servicing.  
 (you can do this by touching the control board which is grounded).

**Location of installation**

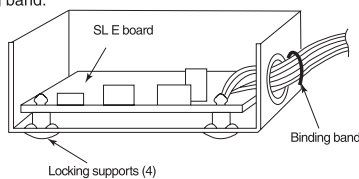
Install the device at the location where there are no electromagnetic waves nor where there is water and dust. The specified temperature range of the device is 0 to 40°C. Install the device at the location where the ambient temperature stays within the range. If it exceeds the specification, make sure to provide solution such as installing a cooling fan. When used outside of the range, it may cause abnormal operation.

**6 Installation**

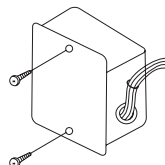
1. When using the metal box (mounted on the indoor unit / mounted on the back of the remote control):

- (1) Mount the SL E board in the metal box using the locking supports.
- (2) Wiring should go through the provided grommet since then through the wiring to the hole on the Metal box.

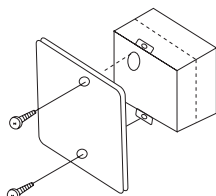
Secure the grommet after inserting the grommet into the Metal box as shown in below figure, then tie the wiring at the outlet of the unit using a binding band.



▲ When installed outside the indoor unit, put the metal cover on.



▲ When installed on the back of the remote control, mount it directly on the remote control bottom case.



**7 Indicator display**

Check the LED 3 (green) and LED 2 (red) on the SL E board for flashing.

| SL E board LEDs |          | Inspection mode   | Display on the integrated network control device |
|-----------------|----------|---|--|
| Red             | Green    |   |  |
| Off             | Flashing | Normal communication  |  |
| Off             | Off      | <ul style="list-style-type: none"> <li>• Disconnection in the remote control communication line (X or Y)</li> <li>• Short-circuit in the remote control communication line (between X and Y)</li> <li>• Faulty indoor unit remote control power</li> <li>• Faulty remote control communication circuit</li> <li>• Faulty CPU on SL E board</li> </ul> | No corresponding unit number                     |
| One flash       | Flashing | <ul style="list-style-type: none"> <li>• Disconnection in the Superlink signal line (A or B)</li> <li>• Short-circuit in the Superlink signal line (between A and B)</li> <li>• Faulty Superlink signal circuit</li> </ul>  |  |
| Two flashes     | Flashing | <ul style="list-style-type: none"> <li>• Faulty address setting for the SL E board (Set up the address for previous SL E board : more than 48 new SL E board : more than 128)</li> </ul>  |  |
| Three flashes   | Flashing | <ul style="list-style-type: none"> <li>• SL E board parent not set up when used without a remote control</li> <li>• Faulty remote control communication circuit</li> </ul>  | E1   |
| Four flashes    | Flashing | <ul style="list-style-type: none"> <li>• Address overlapping for the SL E board and the Superlink network connected indoor unit</li> </ul>  | E2   |
| Off             | Flashing | <ul style="list-style-type: none"> <li>• Number of connected devices exceeds the specification for the multiple indoor unit control</li> </ul>  | E10  |

## 10. Operation permission/prohibition control

The air-conditioner operation is controlled by DIP switch SW2-3 on the interface kit board and inputting the external signal into the CnT.

- (1) The operation mode is switched over between Permission and Prohibition by DIP switch SW2-3 on the interface kit control board.**

| When the DIP switch SW2-3 is ON  | When the DIP switch SW2-3 is OFF  |
|--|---|
| Normal operation is enable (when shipping)<br>When CnT input is set to ON, the operation starts and if the input is set to OFF, the operation stops.<br>For the CnT and remote control inputs, the input which is activated later has priority and can start and stop the operation. | Permission / Prohibition mode<br>When CnT input is set to ON, the operation mode is changed to permission and if input is set to OFF the operation is prohibited. |

- (2) When the CnT input is set to ON (Operation permission)**

- (a) The air-conditioner can be operated or stopped by the remote control signal.  
 (When the "CENTER" mode is set, the operation can be controlled only by the central input.)
- (b) When the CnT input is changed from OFF to ON, the air-conditioner operation mode is changed depending on the status of the DIP switch SW2-1 on the interface kit board.

| When the DIP switch SW2-1 is ON                                       | When the DIP switch SW2-1 is OFF   |
|---|--|
| The signal (a) above starts the air-conditioner.<br>(Shipping status) | When the CnT input is set to ON, the air-conditioner starts operation. After that, the operation of the air-conditioner depends on (a) above. (Local status) |

- (3) When the CnT input is set to OFF (Prohibition)**

- (a) The air-conditioner cannot be operated or stopped by the remote control signal.
- (b) The air-conditioner operation is stopped when the CnT input is changed from ON to OFF.

- (4) When the operation permission / prohibition mode is set to effective by the indoor function setting selected by the remote control, the operation depends on (1) above.**

## 11. External control (remote display)/control of input signal

### (1) External control (remote display) output

Following output connectors (CnT) are provided on the printed circuit board of interface kit.

- **Operation output:** Power to engage DC 12V relay (provided by the customer) is outputted during operation.
- **Heating output:** Power to engage DC 12V relay (provided by the customer) is outputted during the heating operation.
- **Compressor OPERATION output:** Power to engage DC 12V relay (provided by the customer) is outputted while the compressor is operating.
- **MALFUNCTION output:** When any error occurs, the power to engage DC 12V relay (provided by the customer) is outputted.

### (2) Control of input signal

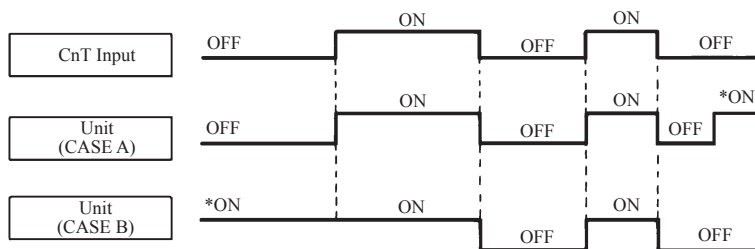
Control of input signal (switch input, timer input) connectors (CnT) are provided on the control circuit board of interface kit.

However, when the operation of air-conditioner is under the Center Mode, the remote control by CnT is invalid.

#### (a) Level input

If the factory settings (DIP switch SW2-1 EXTERNAL INPUT on the PCB of interface kit) are set, or “LEVEL INPUT” is selected in the wired remote control’s indoor unit settings.

- 1) Input signal to CnT OFF → ON - - - - Air-conditioner ON
- 2) Input signal to CnT ON → OFF - - - - Air-conditioner OFF

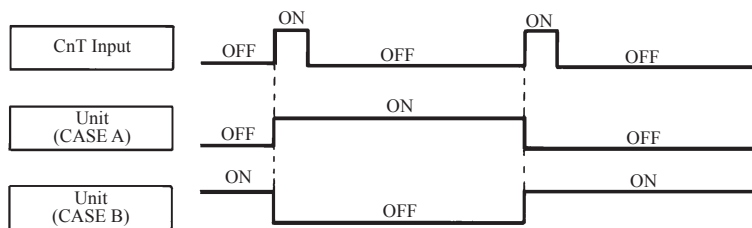


Note (1) The ON with the \* mark indicates an ON operation using the remote control unit switch, etc.

#### (b) Pulse input

When DIP switch SW2-1 on the PCB of interface kit is OFF at the field or “PULSE INPUT” is selected in the wired remote control’s indoor unit settings.

Input signal to CnT becomes valid at OFF → ON only and the motion of air-conditioner [ON/OFF] is inverted.



---

# **AIR-CONDITIONER CONTROL SYSTEM**

---



---

**MITSUBISHI HEAVY INDUSTRIES THERMAL SYSTEMS, LTD.**

16-5 Konan 2-chome, Minato-ku, Tokyo, 108-8215, Japan

<http://www.mhi-mth.co.jp/en/>

Because of our policy of continuous improvement, we reserve the right to make changes in all specifications without notice.

© Copyright MITSUBISHI HEAVY INDUSTRIES THERMAL SYSTEMS, LTD.