



TECHNICAL MANUAL

INVERTER WALL MOUNTED TYPE RESIDENTIAL AIR-CONDITIONERS (Split system, air to air heat pump type)

SRK20ZS-S, -SB, -ST

25ZS-S, -SB, -ST

35ZS-S, -SB, -ST

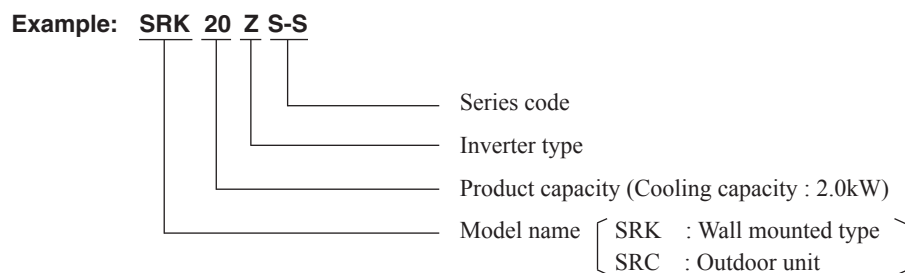
50ZS-S, -SB, -ST

CONTENTS

1. SPECIFICATIONS	3
2. EXTERIOR DIMENSIONS	16
(1) Indoor units	16
(2) Outdoor units	17
(3) Remote control	19
3. ELECTRICAL WIRING	22
(1) Indoor units	22
(2) Outdoor units	23
4. NOISE LEVEL	25
5. PIPING SYSTEM	29
6. RANGE OF USAGE & LIMITATIONS	31
7. CAPACITY TABLES	33
8. APPLICATION DATA	34
(1) Installation of indoor unit	34
(2) Installation of outdoor unit	42
9. OUTLINE OF OPERATION CONTROL BY MICROCOMPUTER	46
(1) Operation control function by wireless remote control	46
(2) Unit ON/OFF button	47
(3) Auto restart function	47
(4) Installing two air-conditioners in the same room	47
(5) Selection of the annual cooling function	48
(6) Heating only function	48
(7) High power operation	48
(8) Economy operation	49
(9) Airflow direction adjustment	49
(10) 3D auto operation	50
(11) Timer operation	51
(12) Silent operation	51
(13) Night setback operation	51
(14) Airflow range setting	52
(15) Display brightness adjustment	52
(16) Outline of heating operation	53
(17) Outline of cooling operation	54
(18) Outline of dehumidifying (DRY) operation	55
(19) Outline of automatic operation	55
(20) Protective control function	56

10. MAINTENANCE DATA	63
(1) Cautions	63
(2) Items to check before troubleshooting	63
(3) Troubleshooting procedure (If the air-conditioner does not run at all)	63
(4) Troubleshooting procedure (If the air-conditioner runs)	64
(5) Self-diagnosis table	65
(6) Service mode (Trouble mode access function)	66
(7) Inspection procedures corresponding to detail of trouble	74
(8) Phenomenon observed after shortcircuit, wire breakage on sensor	79
(9) Checking the indoor electrical equipment	79
(10) How to make sure of wireless remote control	81
(11) Inspection procedure for blown fuse on the indoor and outdoor PCB	81
(12) Outdoor unit inspection points	82
11. OPTION PARTS	85
(1) Wired remote control	85
(2) Interface kit (SC-BIKN-E)	98
(3) Superlink E board (SC-ADNA-E)	98
12. TECHNICAL INFORMATION	104

■ How to read the model name



1. SPECIFICATIONS

Item	Model	SRK20ZS-S		
		Indoor unit SRK20ZS-S	Outdoor unit SRC20ZS-S	
Power source		1 Phase, 220 - 240V, 50Hz		
Operation data	Nominal cooling capacity (range)	kW	2.0 (1.0 (Min.) - 2.8 (Max.))	
	Nominal heating capacity (range)	kW	2.7 (0.9 (Min.) - 4.2 (Max.))	
	Heating capacity (H2)	kW	—	
	Power consumption	Cooling	kW	0.44 (0.21 - 0.77)
		Heating		0.62 (0.17 - 1.38)
		Heating (H2)		—
	Max power consumption			1.65
	Running current	Cooling	A	2.5 / 2.4 / 2.3 (220/ 230/ 240V)
		Heating		3.2 / 3.1 / 3.0 (220/ 230/ 240V)
	Inrush current, max current			3.2 / 3.1 / 3.0 (220/ 230/ 240V) Max. 9
	Power factor	Cooling	%	79.7
		Heating		87
	EER	Cooling		4.55
	COP	Heating		4.35
		Heating (H2)		—
Sound power level	Cooling	dB(A)	50	
	Heating		52	
Sound pressure level	Cooling		Hi: 34 Me: 25 Lo: 22 ULo: 19	
	Heating		Hi: 36 Me: 29 Lo: 23 ULo: 19	
Silent mode sound pressure level			—	
Exterior dimensions (Height x Width x Depth)	mm	290 x 870 x 230	540 x 780 (+62) x 290	
Exterior appearance (Equivalent color : Munsell, RAL)		Fine snow (Pure white) (8.0Y 9.3/0.1), (9003)	Stucco white (4.2Y 7.5/1.1), (7044)	
Net weight	kg	9.5	31.5	
Compressor type & Quantity		—	RM-B5077MDE1 (Rotary type) x 1	
Compressor motor (Starting method)	kW	—	0.75 (Inverter driven)	
Refrigerant oil (Amount, type)	ℓ	—	0.35 (DIAMOND FREEZE MA68)	
Refrigerant (Type, amount, pre-charge length)	kg	R410A 0.75 in outdoor unit (incl. the amount for the piping of 15m)		
Heat exchanger		Louver fins & inner grooved tubing	M fins & inner grooved tubing	
Refrigerant control		Capillary tubes + Electronic expansion valve		
Fan type & Quantity		Tangential fan x 1	Propeller fan x 1	
Fan motor (Starting method)	W	30 x1 (Direct drive)	24 x1 (Direct drive)	
Air flow	Cooling	m ³ /min	Hi: 9.3 Me: 7.0 Lo: 5.9 ULo: 5.0	
	Heating		Hi: 10.0 Me: 8.5 Lo: 6.5 ULo: 5.9	
Available external static pressure	Pa	0	0	
Outside air intake		Not possible	—	
Air filter, Quality / Quantity		Polypropylene net (washable) x 2	—	
Shock & vibration absorber		Rubber sleeve (for fan motor)	Rubber sleeve (for fan motor & compressor)	
Electric heater		—	—	
Operation control	Remote control	Wireless remote control		
	Room temperature control	Microcomputer thermostat		
	Operation display	RUN: Green, TIMER: Yellow		
Safety equipments		Compressor overheat protection, Overcurrent protection, Frost protection, Serial signal error protection, Indoor fan motor error protection, Heating overload protection(High pressure control), Cooling overload protection		
Installation data	Refrigerant piping size (O.D)	mm	Liquid line: ϕ 6.35 (1/4") Gas line: ϕ 9.52 (3/8")	
	Connecting method		Flare connection	
	Attached length of piping	m	Liquid line : 0.54 / Gas line : 0.47	
	Insulation for piping		Necessary (Both sides), independent	
	Refrigerant line (one way) length	m	Max.20	
	Vertical height diff. between O.U. and I.U.	m	Max.10 (Outdoor unit is higher) / Max.10 (Outdoor unit is lower)	
Drain hose		Hose connectable (VP16)	Holes ϕ 20 x 2 pcs	
Drain pump, max lift height	mm	—	—	
Recommended breaker size	A	16		
L.R.A. (Locked rotor ampere)	A	3.2 / 3.1 / 3.0 (220/ 230/ 240V)		
Interconnecting wires	Size x Core number	1.5mm ² x 4 cores (Including earth cable) / Terminal block (Screw fixing type)		
IP number		IPX0	IPX4	
Standard accessories		Mounting kit, Clean filter (Allergen clear filter x 1, Photocatalytic washable deodorizing filter x 1)		
Option parts		Interface kit (SC-BIKN-E)		

Notes (1) The data are measured at the following conditions.

The pipe length is 5.0m.

Operation	Item	Indoor air temperature		Outdoor air temperature		Standards
		DB	WB	DB	WB	
Cooling		27°C	19°C	35°C	24°C	ISO5151-T1
Heating		20°C	—	7°C	6°C	ISO5151-H1
Heating (H2)		20°C	—	2°C	1°C	ISO5151-H2

(2) This air-conditioner is manufactured and tested in conformity with the ISO.

(3) Sound level indicates the value in an anechoic chamber. During operation these values are somewhat higher due to ambient conditions.

(4) Select the breaker size according to the own national standard.

Item		Model	SRK25ZS-S		
			Indoor unit SRK25ZS-S	Outdoor unit SRC25ZS-S	
Power source			1 Phase, 220 - 240V, 50Hz		
Operation data	Nominal cooling capacity (range)	kW	2.5 (1.0 (Min.) - 3.0 (Max.))		
	Nominal heating capacity (range)	kW	3.2 (0.9 (Min.) - 4.4 (Max.))		
	Heating capacity (H2)	kW	-		
	Power consumption	Cooling	kW	0.62 (0.21 - 0.88)	
		Heating		0.80 (0.17 - 1.36)	
	Heating (H2)	-			
	Max power consumption		1.65		
	Running current	Cooling	A	3.2 / 3.1 / 3.0 (220/ 230/ 240V)	
		Heating		4.0 / 3.8 / 3.6 (220/ 230/ 240V)	
	Inrush current, max current		4.0 / 3.8 / 3.6 (220/ 230/ 240V) Max. 9		
	Power factor	Cooling	%	87	
		Heating		91.5	
	EER	Cooling		4.03	
	COP	Heating		4.00	
		Heating (H2)		-	
Sound power level	Cooling	dB(A)	52	58	
	Heating		55	58	
Sound pressure level	Cooling		Hi: 36 Me: 28 Lo: 23 ULo: 19	46	
	Heating		Hi: 39 Me: 30 Lo: 24 ULo: 19	46	
Silent mode sound pressure level		-	Cooling:42 / Heating: 43		
Exterior dimensions (Height x Width x Depth)	mm	290 x 870 x 230		540 x 780 (+62) x 290	
Exterior appearance (Equivalent color : Munsell, RAL)		Fine snow (Pure white) (8.0Y 9.3/0.1), (9003)		Stucco white (4.2Y 7.5/1.1), (7044)	
Net weight	kg	9.5		31.5	
Compressor type & Quantity		-		RM-B5077MDE1(Rotary type) x 1	
Compressor motor (Starting method)	kW	-		0.75 (Inverter driven)	
Refrigerant oil (Amount, type)	ℓ	-		0.35 (DIAMOND FREEZE MA68)	
Refrigerant (Type, amount, pre-charge length)	kg	R410A 0.75 in outdoor unit (incl. the amount for the piping of 15m)			
Heat exchanger		Louver fins & inner grooved tubing		M fins & inner grooved tubing	
Refrigerant control		Capillary tubes + Electronic expansion valve			
Fan type & Quantity		Tangential fan x 1		Propeller fan x 1	
Fan motor (Starting method)	W	30 x1 (Direct drive)		24 x1 (Direct drive)	
Air flow	Cooling	m³/min	Hi: 9.9 Me: 8.0 Lo: 5.9 ULo: 5.0		
	Heating		Hi: 11.3 Me: 8.7 Lo: 6.7 ULo: 5.9		
Available external static pressure	Pa	0		0	
Outside air intake		Not possible		-	
Air filter, Quality / Quantity		Polypropylene net (washable) x 2		-	
Shock & vibration absorber		Rubber sleeve (for fan motor)		Rubber sleeve (for fan motor & compressor)	
Electric heater		-		-	
Operation control	Remote control	Wireless remote control			
	Room temperature control	Microcomputer thermostat			
	Operation display	RUN: Green, TIMER: Yellow			
Safety equipments		Compressor overheat protection, Overcurrent protection, Frost protection, Serial signal error protection, Indoor fan motor error protection, Heating overload protection(High pressure control), Cooling overload protection			
Installation data	Refrigerant piping size (O.D)	mm	Liquid line: ϕ 6.35 (1/4") Gas line: ϕ 9.52 (3/8")		
	Connecting method		Flare connection		
	Attached length of piping	m	Liquid line : 0.54 / Gas line : 0.47		
	Insulation for piping		Necessary (Both sides), independent		
	Refrigerant line (one way) length	m	Max.20		
	Vertical height diff. between O.U. and I.U.	m	Max.10 (Outdoor unit is higher) / Max.10 (Outdoor unit is lower)		
Drain hose		Hose connectable (VP16)		Holes ϕ 20 x 2 pcs	
Drain pump, max lift height	mm	-		-	
Recommended breaker size	A	16			
L.R.A. (Locked rotor ampere)	A	4.0 / 3.8 / 3.6 (220/ 230/ 240V)			
Interconnecting wires	Size x Core number	1.5mm ² x 4 cores (Including earth cable) / Terminal block (Screw fixing type)			
IP number		IPX0		IPX4	
Standard accessories		Mounting kit, Clean filter (Allergen clear filter x 1, Photocatalytic washable deodorizing filter x 1)			
Option parts		Interface kit (SC-BIKN-E)			

Notes (1) The data are measured at the following conditions.

The pipe length is 5.0m.

Operation	Item	Indoor air temperature		Outdoor air temperature		Standards
		DB	WB	DB	WB	
Cooling		27°C	19°C	35°C	24°C	ISO5151-T1
Heating		20°C	-	7°C	6°C	ISO5151-H1
Heating (H2)		20°C	-	2°C	1°C	ISO5151-H2

(2) This air-conditioner is manufactured and tested in conformity with the ISO.

(3) Sound level indicates the value in an anechoic chamber. During operation these values are somewhat higher due to ambient conditions.

(4) Select the breaker size according to the own national standard.

Item		Model	SRK35ZS-S		
			Indoor unit SRK35ZS-S	Outdoor unit SRC35ZS-S	
Power source			1 Phase, 220 - 240V, 50Hz		
Operation data	Nominal cooling capacity (range)	kW	3.5 (1.0 (Min.) - 3.8 (Max.))		
	Nominal heating capacity (range)	kW	4.0 (0.9 (Min.) - 4.8 (Max.))		
	Heating capacity (H2)	kW	-		
	Power consumption	Cooling	kW	1.01 (0.21 - 1.24)	
		Heating		1.00 (0.17 - 1.45)	
		Heating (H2)		-	
	Max power consumption		1.65		
	Running current	Cooling	A	4.9 / 4.7 / 4.5 (220/ 230/ 240V)	
		Heating		4.9 / 4.7 / 4.5 (220/ 230/ 240V)	
	Inrush current, max current		4.9 / 4.7 / 4.5 (220/ 230/ 240V) Max. 9		
	Power factor	Cooling	%	93.4	
		Heating		92.5	
	EER	Cooling		3.47	
	COP	Heating		4.00	
		Heating (H2)		-	
Sound power level	Cooling	dB(A)	56	62	
	Heating		58	61	
Sound pressure level	Cooling		Hi: 40 Me: 30 Lo: 26 ULo: 19	50	
	Heating		Hi: 41 Me: 36 Lo: 25 ULo: 19	48	
Silent mode sound pressure level			-	Cooling:45 / Heating: 44	
Exterior dimensions (Height x Width x Depth)	mm	290 x 870 x 230		540 x 780 (+62) x 290	
Exterior appearance (Equivalent color : Munsell, RAL)		Fine snow (Pure white) (8.0Y 9.3/0.1), (9003)		Stucco white (4.2Y 7.5/1.1), (7044)	
Net weight	kg	9.5		34.5	
Compressor type & Quantity		-		RM-B5077MDE1(Rotary type) x 1	
Compressor motor (Starting method)	kW	-		0.90 (Inverter driven)	
Refrigerant oil (Amount, type)	ℓ	-		0.35 (DIAMOND FREEZE MA68)	
Refrigerant (Type, amount, pre-charge length)	kg	R410A 0.95 in outdoor unit (incl. the amount for the piping of 15m)			
Heat exchanger		Louver fins & inner grooved tubing		M fins & inner grooved tubing	
Refrigerant control		Capillary tubes + Electronic expansion valve			
Fan type & Quantity		Tangential fan x 1		Propeller fan x 1	
Fan motor (Starting method)	W	30 x1 (Direct drive)		24 x1 (Direct drive)	
Air flow	Cooling	m³/min	Hi: 11.3 Me: 8.7 Lo: 7.0 ULo: 5.0	31.5	
	Heating		Hi: 12.3 Me: 11.0 Lo: 7.0 ULo: 5.6	27.8	
Available external static pressure	Pa	0		0	
Outside air intake		Not possible		-	
Air filter, Quality / Quantity		Polypropylene net (washable) x 2		-	
Shock & vibration absorber		Rubber sleeve (for fan motor)		Rubber sleeve (for fan motor & compressor)	
Electric heater		-		-	
Operation control	Remote control	Wireless remote control			
	Room temperature control	Microcomputer thermostat			
	Operation display	RUN: Green, TIMER: Yellow			
Safety equipments		Compressor overheat protection, Overcurrent protection, Frost protection, Serial signal error protection, Indoor fan motor error protection, Heating overload protection (High pressure control), Cooling overload protection			
Installation data	Refrigerant piping size (O.D)	mm	Liquid line: ϕ 6.35 (1/4")	Gas line: ϕ 9.52 (3/8")	
	Connecting method		Flare connection		
	Attached length of piping	m	Liquid line : 0.54 / Gas line : 0.47	-	
	Insulation for piping		Necessary (Both sides), independent		
	Refrigerant line (one way) length	m	Max.20		
	Vertical height diff. between O.U. and I.U.	m	Max.10 (Outdoor unit is higher) / Max.10 (Outdoor unit is lower)		
Drain hose		Hose connectable (VP16)		Holes ϕ 20 x 2 pcs	
Drain pump, max lift height	mm	-		-	
Recommended breaker size	A	16			
L.R.A. (Locked rotor ampere)	A	4.9 / 4.7 / 4.5 (220/ 230/ 240V)			
Interconnecting wires	Size x Core number	1.5mm² x 4 cores (Including earth cable) / Terminal block (Screw fixing type)			
IP number		IPX0		IPX4	
Standard accessories		Mounting kit, Clean filter (Allergen clear filter x 1, Photocatalytic washable deodorizing filter x 1)			
Option parts		Interface kit (SC-BIKN-E)			

Notes (1) The data are measured at the following conditions.

The pipe length is 5.0m.

Operation	Item	Indoor air temperature		Outdoor air temperature		Standards
		DB	WB	DB	WB	
Cooling		27°C	19°C	35°C	24°C	ISO5151-T1
Heating		20°C	-	7°C	6°C	ISO5151-H1
Heating (H2)		20°C	-	2°C	1°C	ISO5151-H2

(2) This air-conditioner is manufactured and tested in conformity with the ISO.

(3) Sound level indicates the value in an anechoic chamber. During operation these values are somewhat higher due to ambient conditions.

(4) Select the breaker size according to the own national standard.

Item		Model	SRK50ZS-S		
			Indoor unit SRK50ZS-S	Outdoor unit SRC50ZS-S	
Power source			1 Phase, 220 - 240V, 50Hz		
Operation data	Nominal cooling capacity (range)	kW	5.0 (1.7 (Min.) - 5.5 (Max.))		
	Nominal heating capacity (range)	kW	5.8 (1.6 (Min.) - 6.6 (Max.))		
	Heating capacity (H2)	kW	-		
	Power consumption	Cooling	kW	1.56 (0.40 - 2.30)	
		Heating		1.59 (0.37 - 2.30)	
		Heating (H2)		-	
	Max power consumption		2.68		
	Running current	Cooling	A	7.2 / 6.9 / 6.6 (220/ 230/ 240V)	
		Heating		7.3 / 7.0 / 6.7 (220/ 230/ 240V)	
	Inrush current, max current		7.3 / 7.0 / 6.7 (220/ 230/ 24V) Max. 14.5		
	Power factor	Cooling	%	99	
		Heating		99	
	EER	Cooling		3.21	
	COP	Heating		3.65	
		Heating (H2)		-	
Sound power level	Cooling	dB(A)	58	62	
	Heating		59	63	
Sound pressure level	Cooling		Hi: 45 Me: 36 Lo: 28 ULo: 22	51	
	Heating		Hi: 45 Me: 37 Lo: 31 ULo: 24	53	
Silent mode sound pressure level			-	Cooling:43 / Heating:45	
Exterior dimensions (Height x Width x Depth)		mm	290 x 870 x 230	595 x 780 (+62) x 290	
Exterior appearance (Equivalent color : Munsell, RAL)			Fine snow (Pure white) (8.0Y 9.3/0.1), (9003)	Stucco white (4.2Y 7.5/1.1), (7044)	
Net weight		kg	10	36.5	
Compressor type & Quantity			-	5RS132XAB21(Rotary type) x 1	
Compressor motor (Starting method)		kW	-	1.50 (Inverter driven)	
Refrigerant oil (Amount, type)		ℓ	-	0.37 (FV50S)	
Refrigerant (Type, amount, pre-charge length)		kg	R410A 1.25 in outdoor unit (incl. the amount for the piping of 15m)		
Heat exchanger			Louver fins & inner grooved tubing	M fins & inner grooved tubing	
Refrigerant control			Capillary tubes + Electronic expansion valve		
Fan type & Quantity			Tangential fan x 1	Propeller fan x 1	
Fan motor (Starting method)		W	30 x1 (Direct drive)	24 x1 (Direct drive)	
Air flow	Cooling	m³/min	Hi: 12.1 Me: 9.9 Lo: 7.4 ULo: 5.9	32.8	
	Heating		Hi: 13.9 Me: 11.2 Lo: 9.1 ULo: 7.4	32.8	
Available external static pressure		Pa	0	0	
Outside air intake			Not possible	-	
Air filter, Quality / Quantity			Polypropylene net (washable) x 2	-	
Shock & vibration absorber			Rubber sleeve (for fan motor)	Rubber sleeve (for fan motor & compressor)	
Electric heater			-	-	
Operation control	Remote control		Wireless remote control		
	Room temperature control		Microcomputer thermostat		
	Operation display		RUN: Green, TIMER: Yellow		
Safety equipments			Compressor overheat protection, Overcurrent protection, Frost protection, Serial signal error protection, Indoor fan motor error protection, Heating overload protection(High pressure control), Cooling overload protection		
Installation data	Refrigerant piping size (O.D)	mm	Liquid line: ϕ 6.35 (1/4")	Gas line: ϕ 12.7 (1/2")	
	Connecting method		Flare connection	Flare connection	
	Attached length of piping	m	Liquid line : 0.54 / Gas line : 0.47	-	
	Insulation for piping		Necessary (Both sides), independent		
	Refrigerant line (one way) length	m	Max.25		
	Vertical height diff. between O.U. and I.U.	m	Max.15 (Outdoor unit is higher) / Max.15 (Outdoor unit is lower)		
Drain hose		Hose connectable (VP16)	Holes ϕ 20 x 2 pcs		
Drain pump, max lift height		mm	-	-	
Recommended breaker size		A	20		
L.R.A. (Locked rotor ampere)		A	7.3 / 7.0 / 6.7 (220/ 230/ 240V)		
Interconnecting wires		Size x Core number	1.5mm ² x 4 cores (Including earth cable) / Terminal block (Screw fixing type)		
IP number			IPX0	IPX4	
Standard accessories			Mounting kit, Clean filter (Allergen clear filter x 1, Photocatalytic washable deodorizing filter x 1)		
Option parts			Interface kit (SC-BIKN-E)		

Notes (1) The data are measured at the following conditions.

The pipe length is 5.0m.

Operation	Item	Indoor air temperature		Outdoor air temperature		Standards
		DB	WB	DB	WB	
Cooling		27°C	19°C	35°C	24°C	ISO5151-T1
Heating		20°C	-	7°C	6°C	ISO5151-H1
Heating (H2)		20°C	-	2°C	1°C	ISO5151-H2

(2) This air-conditioner is manufactured and tested in conformity with the ISO.

(3) Sound level indicates the value in an anechoic chamber. During operation these values are somewhat higher due to ambient conditions.

(4) Select the breaker size according to the own national standard.

Item			Model	SRK20ZS-SB	
				Indoor unit SRK20ZS-SB	Outdoor unit SRC20ZS-S
Power source				1 Phase, 220 - 240V, 50Hz	
Operation data	Nominal cooling capacity (range)		kW	2.0 (1.0 (Min.) - 2.8 (Max.))	
	Nominal heating capacity (range)		kW	2.7 (0.9 (Min.) - 4.2 (Max.))	
	Heating capacity (H2)		kW	-	
	Power consumption	Cooling	kW	0.44 (0.21 - 0.77)	
		Heating		0.62 (0.17 - 1.38)	
		Heating (H2)		-	
	Max power consumption			1.65	
	Running current	Cooling	A	2.5 / 2.4 / 2.3 (220/ 230/ 240V)	
		Heating		3.2 / 3.1 / 3.0 (220/ 230/ 240V)	
	Inrush current, max current			3.2 / 3.1 / 3.0 (220/ 230/ 240V) Max. 9	
	Power factor	Cooling	%	79.7	
		Heating		87	
	EER	Cooling		4.55	
	COP	Heating		4.35	
		Heating (H2)		-	
Sound power level	Cooling	dB(A)	50	57	
	Heating		52	57	
Sound pressure level	Cooling		Hi: 34 Me: 25 Lo: 22 ULo: 19	45	
	Heating		Hi: 36 Me: 29 Lo: 23 ULo: 19	45	
Silent mode sound pressure level			-	Cooling:42 / Heating:43	
Exterior dimensions (Height x Width x Depth)		mm	290 x 870 x 230		
Exterior appearance (Equivalent color : Munsell, RAL)			Fine snow (8.0Y 9.3/0.1), (9003) Stucco white (4.2Y 7.5/1.1), (7044) Black (4.0PB 2.44/0.25), (9011)		
Net weight		kg	9.5		
Compressor type & Quantity			-		
Compressor motor (Starting method)		kW	-		
Refrigerant oil (Amount, type)		ℓ	-		
Refrigerant (Type, amount, pre-charge length)		kg	R410A 0.75 in outdoor unit (incl. the amount for the piping of 15m)		
Heat exchanger			Louver fins & inner grooved tubing M fins & inner grooved tubing		
Refrigerant control			Capillary tubes + Electronic expansion valve		
Fan type & Quantity			Tangential fan x 1 Propeller fan x 1		
Fan motor (Starting method)		W	30 x1 (Direct drive) 24 x1 (Direct drive)		
Air flow	Cooling	m³/min	Hi: 9.3 Me: 7.0 Lo: 5.9 ULo: 5.0 27.4		
	Heating		Hi: 10.0 Me: 8.5 Lo: 6.5 ULo: 5.9 23.6		
Available external static pressure		Pa	0		
Outside air intake			Not possible		
Air filter, Quality / Quantity			Polypropylene net (washable) x 2		
Shock & vibration absorber			Rubber sleeve (for fan motor) Rubber sleeve (for fan motor & compressor)		
Electric heater			-		
Operation control	Remote control		Wireless remote control		
	Room temperature control		Microcomputer thermostat		
	Operation display		RUN: Green, TIMER: Yellow		
Safety equipments			Compressor overheat protection, Overcurrent protection, Frost protection, Serial signal error protection, Indoor fan motor error protection, Heating overload protection(High pressure control), Cooling overload protection		
Installation data	Refrigerant piping size (O.D)		mm	Liquid line: φ6.35 (1/4") Gas line: φ9.52 (3/8")	
	Connecting method			Flare connection Flare connection	
	Attached length of piping		m	Liquid line : 0.54 / Gas line : 0.47 -	
	Insulation for piping			Necessary (Both sides), independent	
	Refrigerant line (one way) length		m	Max.20	
	Vertical height diff. between O.U. and I.U.		m	Max.10 (Outdoor unit is higher) / Max.10 (Outdoor unit is lower)	
Drain hose			Hose connectable (VP16) Holes φ20 x 2 pcs		
Drain pump, max lift height		mm	-		
Recommended breaker size		A	16		
L.R.A. (Locked rotor ampere)		A	3.2 / 3.1 / 3.0 (220/ 230/ 240V)		
Interconnecting wires		Size x Core number	1.5mm² x 4 cores (Including earth cable) / Terminal block (Screw fixing type)		
IP number			IPX0 IPX4		
Standard accessories			Mounting kit, Clean filter (Allergen clear filter x 1, Photocatalytic washable deodorizing filter x 1)		
Option parts			Interface kit (SC-BIKN-E)		

Notes (1) The data are measured at the following conditions.

The pipe length is 5.0m.

Operation	Indoor air temperature		Outdoor air temperature		Standards
	DB	WB	DB	WB	
Cooling	27°C	19°C	35°C	24°C	ISO5151-T1
Heating	20°C	-	7°C	6°C	ISO5151-H1
Heating (H2)	20°C	-	2°C	1°C	ISO5151-H2

(2) This air-conditioner is manufactured and tested in conformity with the ISO.

(3) Sound level indicates the value in an anechoic chamber. During operation these values are somewhat higher due to ambient conditions.

(4) Select the breaker size according to the own national standard.

Item		Model	SRK25ZS-SB		
			Indoor unit SRK25ZS-SB	Outdoor unit SRC25ZS-S	
Power source			1 Phase, 220 - 240V, 50Hz		
Operation data	Nominal cooling capacity (range)	kW	2.5 (1.0 (Min.) - 3.0 (Max.))		
	Nominal heating capacity (range)	kW	3.2 (0.9 (Min.) - 4.4 (Max.))		
	Heating capacity (H2)	kW	-		
	Power consumption	Cooling	kW	0.62 (0.21 - 0.88)	
		Heating		0.80 (0.17 - 1.36)	
		Heating (H2)		-	
	Max power consumption		1.65		
	Running current	Cooling	A	3.2 / 3.1 / 3.0 (220/ 230/ 240V)	
		Heating		4.0 / 3.8 / 3.6 (220/ 230/ 240V)	
	Inrush current, max current		4.0 / 3.8 / 3.6 (220/ 230/ 240V) Max. 9		
	Power factor	Cooling	%	87	
		Heating		91.5	
	EER	Cooling		4.03	
	COP	Heating		4.00	
		Heating (H2)		-	
Sound power level	Cooling	dB(A)	52	58	
	Heating		55	58	
Sound pressure level	Cooling		Hi: 36 Me: 28 Lo: 23 ULo: 19	46	
	Heating		Hi: 39 Me: 30 Lo: 24 ULo: 19	46	
Silent mode sound pressure level			-	Cooling:42 / Heating: 43	
Exterior dimensions (Height x Width x Depth)	mm	290 x 870 x 230		540 x 780 (+62) x 290	
Exterior appearance (Equivalent color : Munsell, RAL)		Fine snow (8.0Y 9.3/0.1), (9003) Black (4.0PB 2.44/0.25), (9011)		Stucco white (4.2Y 7.5/1.1), (7044)	
Net weight	kg	9.5		31.5	
Compressor type & Quantity		-		RM-B5077MDE1(Rotary type) x 1	
Compressor motor (Starting method)	kW	-		0.75 (Inverter driven)	
Refrigerant oil (Amount, type)	ℓ	-		0.35 (DIAMOND FREEZE MA68)	
Refrigerant (Type, amount, pre-charge length)	kg	R410A 0.75 in outdoor unit (incl. the amount for the piping of 15m)			
Heat exchanger		Louver fins & inner grooved tubing		M fins & inner grooved tubing	
Refrigerant control		Capillary tubes + Electronic expansion valve			
Fan type & Quantity		Tangential fan x 1		Propeller fan x 1	
Fan motor (Starting method)	W	30 x1 (Direct drive)		24 x1 (Direct drive)	
Air flow	Cooling	m³/min	Hi: 9.9 Me: 8.0 Lo: 5.9 ULo: 5.0		
	Heating		Hi: 11.3 Me: 8.7 Lo: 6.7 ULo: 5.9		
Available external static pressure	Pa	0		0	
Outside air intake		Not possible		-	
Air filter, Quality / Quantity		Polypropylene net (washable) x 2		-	
Shock & vibration absorber		Rubber sleeve (for fan motor)		Rubber sleeve (for fan motor & compressor)	
Electric heater		-		-	
Operation control	Remote control	Wireless remote control			
	Room temperature control	Microcomputer thermostat			
	Operation display	RUN: Green, TIMER: Yellow			
Safety equipments		Compressor overheat protection, Overcurrent protection, Frost protection, Serial signal error protection, Indoor fan motor error protection, Heating overload protection(High pressure control), Cooling overload protection			
Installation data	Refrigerant piping size (O.D)	mm	Liquid line: ϕ 6.35 (1/4") Gas line: ϕ 9.52 (3/8")		
	Connecting method		Flare connection		
	Attached length of piping	m	Liquid line : 0.54 / Gas line : 0.47		
	Insulation for piping		Necessary (Both sides), independent		
	Refrigerant line (one way) length	m	Max.20		
	Vertical height diff. between O.U. and I.U.	m	Max.10 (Outdoor unit is higher) / Max.10 (Outdoor unit is lower)		
Drain hose		Hose connectable (VP16)		Holes ϕ 20 x 2 pcs	
Drain pump, max lift height	mm	-		-	
Recommended breaker size	A	16			
L.R.A. (Locked rotor ampere)	A	4.0 / 3.8 / 3.6 (220/ 230/ 240V)			
Interconnecting wires	Size x Core number	1.5mm ² x 4 cores (Including earth cable) / Terminal block (Screw fixing type)			
IP number		IPX0		IPX4	
Standard accessories		Mounting kit, Clean filter (Allergen clear filter x 1, Photocatalytic washable deodorizing filter x 1)			
Option parts		Interface kit (SC-BIKN-E)			

Notes (1) The data are measured at the following conditions.

The pipe length is 5.0m.

Operation	Item	Indoor air temperature		Outdoor air temperature		Standards
		DB	WB	DB	WB	
Cooling		27°C	19°C	35°C	24°C	ISO5151-T1
Heating		20°C	-	7°C	6°C	ISO5151-H1
Heating (H2)		20°C	-	2°C	1°C	ISO5151-H2

(2) This air-conditioner is manufactured and tested in conformity with the ISO.

(3) Sound level indicates the value in an anechoic chamber. During operation these values are somewhat higher due to ambient conditions.

(4) Select the breaker size according to the own national standard.

Item		Model	SRK35ZS-SB		
			Indoor unit SRK35ZS-SB	Outdoor unit SRC35ZS-S	
Power source			1 Phase, 220 - 240V, 50Hz		
Operation data	Nominal cooling capacity (range)	kW	3.5 (1.0 (Min.) - 3.8 (Max.))		
	Nominal heating capacity (range)	kW	4.0 (0.9 (Min.) - 4.8 (Max.))		
	Heating capacity (H2)	kW	-		
	Power consumption	Cooling	kW	1.01 (0.21 - 1.24)	
		Heating		1.00 (0.17 - 1.45)	
		Heating (H2)		-	
	Max power consumption		1.65		
	Running current	Cooling	A	4.9 / 4.7 / 4.5 (220/ 230/ 240V)	
		Heating		4.9 / 4.7 / 4.5 (220/ 230/ 240V)	
	Inrush current, max current		4.9 / 4.7 / 4.5 (220/ 230/ 240V) Max. 9		
	Power factor	Cooling	%	93.4	
		Heating		92.5	
	EER	Cooling		3.47	
	COP	Heating		4.00	
		Heating (H2)		-	
Sound power level	Cooling	dB(A)	56	62	
	Heating		58	61	
Sound pressure level	Cooling		Hi: 40 Me: 30 Lo: 26 ULo: 19	50	
	Heating		Hi: 41 Me: 36 Lo: 25 ULo: 19	48	
Silent mode sound pressure level			-	Cooling:45 / Heating: 44	
Exterior dimensions (Height x Width x Depth)	mm	290 x 870 x 230		540 x 780 (+62) x 290	
Exterior appearance (Equivalent color : Munsell, RAL)		Fine snow (8.0Y 9.3/0.1), (9003) Black (4.0PB 2.44/0.25), (9011)		Stucco white (4.2Y 7.5/1.1), (7044)	
Net weight	kg	9.5		34.5	
Compressor type & Quantity		-		RM-B5077MDE1(Rotary type) x 1	
Compressor motor (Starting method)	kW	-		0.90 (Inverter driven)	
Refrigerant oil (Amount, type)	ℓ	-		0.35 (DIAMOND FREEZE MA68)	
Refrigerant (Type, amount, pre-charge length)	kg	R410A 0.95 in outdoor unit (incl. the amount for the piping of 15m)			
Heat exchanger		Louver fins & inner grooved tubing		M fins & inner grooved tubing	
Refrigerant control		Capillary tubes + Electronic expansion valve			
Fan type & Quantity		Tangential fan x 1		Propeller fan x 1	
Fan motor (Starting method)	W	30 x1 (Direct drive)		24 x1 (Direct drive)	
Air flow	Cooling	m³/min	Hi: 11.3 Me: 8.7 Lo: 7.0 ULo: 5.0	31.5	
	Heating		Hi: 12.3 Me: 11.0 Lo: 7.0 ULo: 5.6	27.8	
Available external static pressure	Pa	0		0	
Outside air intake		Not possible		-	
Air filter, Quality / Quantity		Polypropylene net (washable) x 2		-	
Shock & vibration absorber		Rubber sleeve (for fan motor)		Rubber sleeve (for fan motor & compressor)	
Electric heater		-		-	
Operation control	Remote control	Wireless remote control			
	Room temperature control	Microcomputer thermostat			
	Operation display	RUN: Green, TIMER: Yellow			
Safety equipments		Compressor overheat protection, Overcurrent protection, Frost protection, Serial signal error protection, Indoor fan motor error protection, Heating overload protection (High pressure control), Cooling overload protection			
Installation data	Refrigerant piping size (O.D)	mm	Liquid line: φ6.35 (1/4")	Gas line: φ9.52 (3/8")	
	Connecting method		Flare connection		
	Attached length of piping	m	Liquid line : 0.54 / Gas line : 0.47	-	
	Insulation for piping		Necessary (Both sides), independent		
	Refrigerant line (one way) length	m	Max.20		
	Vertical height diff. between O.U. and I.U.	m	Max.10 (Outdoor unit is higher) / Max.10 (Outdoor unit is lower)		
Drain hose		Hose connectable (VP16)		Holes φ20 x 2 pcs	
Drain pump, max lift height	mm	-		-	
Recommended breaker size	A	16			
L.R.A. (Locked rotor ampere)	A	4.9 / 4.7 / 4.5 (220/ 230/ 240V)			
Interconnecting wires	Size x Core number	1.5mm² x 4 cores (Including earth cable) / Terminal block (Screw fixing type)			
IP number		IPX0		IPX4	
Standard accessories		Mounting kit, Clean filter (Allergen clear filter x 1, Photocatalytic washable deodorizing filter x 1)			
Option parts		Interface kit (SC-BIKN-E)			

Notes (1) The data are measured at the following conditions.

The pipe length is 5.0m.

Operation	Item	Indoor air temperature		Outdoor air temperature		Standards
		DB	WB	DB	WB	
Cooling		27°C	19°C	35°C	24°C	ISO5151-T1
Heating		20°C	-	7°C	6°C	ISO5151-H1
Heating (H2)		20°C	-	2°C	1°C	ISO5151-H2

(2) This air-conditioner is manufactured and tested in conformity with the ISO.

(3) Sound level indicates the value in an anechoic chamber. During operation these values are somewhat higher due to ambient conditions.

(4) Select the breaker size according to the own national standard.

Item		Model	SRK50ZS-SB		
			Indoor unit SRK50ZS-SB	Outdoor unit SRC50ZS-S	
Power source			1 Phase, 220 - 240V, 50Hz		
Operation data	Nominal cooling capacity (range)	kW	5.0 (1.7 (Min.) - 5.5 (Max.))		
	Nominal heating capacity (range)	kW	5.8 (1.6 (Min.) - 6.6 (Max.))		
	Heating capacity (H2)	kW	-		
	Power consumption	Cooling	kW	1.56 (0.40 - 2.30)	
		Heating		1.59 (0.37 - 2.30)	
		Heating (H2)		-	
	Max power consumption		2.68		
	Running current	Cooling	A	7.2 / 6.9 / 6.6 (220/ 230/ 240V)	
		Heating		7.3 / 7.0 / 6.7 (220/ 230/ 240V)	
	Inrush current, max current		7.3 / 7.0 / 6.7 (220/ 230/ 24V) Max. 14.5		
	Power factor	Cooling	%	99	
		Heating		99	
	EER	Cooling		3.21	
	COP	Heating		3.65	
		Heating (H2)		-	
Sound power level	Cooling	dB(A)	58	62	
	Heating		59	63	
Sound pressure level	Cooling		Hi: 45 Me: 36 Lo: 28 ULo: 22	51	
	Heating		Hi: 45 Me: 37 Lo: 31 ULo: 24	53	
Silent mode sound pressure level			-	Cooling:43 / Heating:45	
Exterior dimensions (Height x Width x Depth)	mm	290 x 870 x 230		595 x 780 (+62) x 290	
Exterior appearance (Equivalent color : Munsell, RAL)		Fine snow (8.0Y 9.3/0.1), (9003) Black (4.0PB 2.44/0.25), (9011)		Stucco white (4.2Y 7.5/1.1), (7044)	
Net weight	kg	10		36.5	
Compressor type & Quantity		-		5RS132XAB21(Rotary type) x 1	
Compressor motor (Starting method)	kW	-		1.50 (Inverter driven)	
Refrigerant oil (Amount, type)	ℓ	-		0.37 (FV50S)	
Refrigerant (Type, amount, pre-charge length)	kg	R410A 1.25 in outdoor unit (incl. the amount for the piping of 15m)			
Heat exchanger		Louver fins & inner grooved tubing		M fins & inner grooved tubing	
Refrigerant control		Capillary tubes + Electronic expansion valve			
Fan type & Quantity		Tangential fan x 1		Propeller fan x 1	
Fan motor (Starting method)	W	30 x1 (Direct drive)		24 x1 (Direct drive)	
Air flow	Cooling	m³/min	Hi: 12.1 Me: 9.9 Lo: 7.4 ULo: 5.9	32.8	
	Heating		Hi: 13.9 Me: 11.2 Lo: 9.1 ULo: 7.4	32.8	
Available external static pressure	Pa	0		0	
Outside air intake		Not possible		-	
Air filter, Quality / Quantity		Polypropylene net (washable) x 2		-	
Shock & vibration absorber		Rubber sleeve (for fan motor)		Rubber sleeve (for fan motor & compressor)	
Electric heater		-		-	
Operation control	Remote control	Wireless remote control			
	Room temperature control	Microcomputer thermostat			
	Operation display	RUN: Green, TIMER: Yellow			
Safety equipments		Compressor overheat protection, Overcurrent protection, Frost protection, Serial signal error protection, Indoor fan motor error protection, Heating overload protection(High pressure control), Cooling overload protection			
Installation data	Refrigerant piping size (O.D)	mm	Liquid line: φ6.35 (1/4")	Gas line: φ12.7 (1/2")	
	Connecting method		Flare connection	Flare connection	
	Attached length of piping	m	Liquid line : 0.54 / Gas line : 0.47	-	
	Insulation for piping		Necessary (Both sides), independent		
	Refrigerant line (one way) length	m	Max.25		
	Vertical height diff. between O.U. and I.U.	m	Max.15 (Outdoor unit is higher) / Max.15 (Outdoor unit is lower)		
Drain hose		Hose connectable (VP16)		Holes φ20 x 2 pcs	
Drain pump, max lift height	mm	-		-	
Recommended breaker size	A	20			
L.R.A. (Locked rotor ampere)	A	7.3 / 7.0 / 6.7 (220/ 230/ 240V)			
Interconnecting wires	Size x Core number	1.5mm² x 4 cores (Including earth cable) / Terminal block (Screw fixing type)			
IP number		IPX0		IPX4	
Standard accessories		Mounting kit, Clean filter (Allergen clear filter x 1, Photocatalytic washable deodorizing filter x 1)			
Option parts		Interface kit (SC-BIKN-E)			

Notes (1) The data are measured at the following conditions.

The pipe length is 5.0m.

Operation	Item	Indoor air temperature		Outdoor air temperature		Standards
		DB	WB	DB	WB	
Cooling		27°C	19°C	35°C	24°C	ISO5151-T1
Heating		20°C	-	7°C	6°C	ISO5151-H1
Heating (H2)		20°C	-	2°C	1°C	ISO5151-H2

(2) This air-conditioner is manufactured and tested in conformity with the ISO.

(3) Sound level indicates the value in an anechoic chamber. During operation these values are somewhat higher due to ambient conditions.

(4) Select the breaker size according to the own national standard.

Item			Model	SRK20ZS-ST	
				Indoor unit SRK20ZS-ST	Outdoor unit SRC20ZS-S
Power source				1 Phase, 220 - 240V, 50Hz	
Operation data	Nominal cooling capacity (range)		kW	2.0 (1.0 (Min.) - 2.8 (Max.))	
	Nominal heating capacity (range)		kW	2.7 (0.9 (Min.) - 4.2 (Max.))	
	Heating capacity (H2)		kW	-	
	Power consumption	Cooling	kW	0.44 (0.21 - 0.77)	
		Heating		0.62 (0.17 - 1.38)	
		Heating (H2)		-	
	Max power consumption			1.65	
	Running current	Cooling	A	2.5 / 2.4 / 2.3 (220/ 230/ 240V)	
		Heating		3.2 / 3.1 / 3.0 (220/ 230/ 240V)	
	Inrush current, max current			3.2 / 3.1 / 3.0 (220/ 230/ 240V) Max. 9	
	Power factor	Cooling	%	79.7	
		Heating		87	
	EER	Cooling		4.55	
	COP	Heating		4.35	
		Heating (H2)		-	
Sound power level	Cooling	dB(A)	50		
	Heating		52		
Sound pressure level	Cooling		Hi: 34 Me: 25 Lo: 22 ULo: 19		
	Heating		Hi: 36 Me: 29 Lo: 23 ULo: 19		
Silent mode sound pressure level			-		
Exterior dimensions (Height x Width x Depth)		mm	290 x 870 x 230		
Exterior appearance (Equivalent color : Munsell, RAL)			Titanium gray (1.6Y 6.59/0.63), (7048) Black (4.0PB 2.44/0.25), (9011)		
Net weight		kg	9.5		
Compressor type & Quantity			-		
Compressor motor (Starting method)		kW	-		
Refrigerant oil (Amount, type)		ℓ	-		
Refrigerant (Type, amount, pre-charge length)		kg	R410A 0.75 in outdoor unit (incl. the amount for the piping of 15m)		
Heat exchanger			Louver fins & inner grooved tubing		
Refrigerant control			Capillary tubes + Electronic expansion valve		
Fan type & Quantity			Tangential fan x 1		
Fan motor (Starting method)		W	30 x1 (Direct drive)		
Air flow	Cooling	m³/min	Hi: 9.3 Me: 7.0 Lo: 5.9 ULo: 5.0		
	Heating		Hi: 10.0 Me: 8.5 Lo: 6.5 ULo: 5.9		
Available external static pressure		Pa	0		
Outside air intake			Not possible		
Air filter, Quality / Quantity			Polypropylene net (washable) x 2		
Shock & vibration absorber			Rubber sleeve (for fan motor)		
Electric heater			-		
Operation control	Remote control		Wireless remote control		
	Room temperature control		Microcomputer thermostat		
	Operation display		RUN: Green, TIMER: Yellow		
Safety equipments			Compressor overheat protection, Overcurrent protection, Frost protection, Serial signal error protection, Indoor fan motor error protection, Heating overload protection(High pressure control), Cooling overload protection		
Installation data	Refrigerant piping size (O.D)	mm	Liquid line: φ6.35 (1/4") Gas line: φ9.52 (3/8")		
	Connecting method		Flare connection		
	Attached length of piping	m	Liquid line : 0.54 / Gas line : 0.47		
	Insulation for piping		Necessary (Both sides), independent		
	Refrigerant line (one way) length	m	Max.20		
	Vertical height diff. between O.U. and I.U.	m	Max.10 (Outdoor unit is higher) / Max.10 (Outdoor unit is lower)		
Drain hose			Hose connectable (VP16)		
Drain pump, max lift height	mm		-		
Recommended breaker size	A		16		
L.R.A. (Locked rotor ampere)	A		3.2 / 3.1 / 3.0 (220/ 230/ 240V)		
Interconnecting wires	Size x Core number		1.5mm² x 4 cores (Including earth cable) / Terminal block (Screw fixing type)		
IP number			IPX0		
Standard accessories			Mounting kit, Clean filter (Allergen clear filter x 1, Photocatalytic washable deodorizing filter x 1)		
Option parts			Interface kit (SC-BIKN-E)		

Notes (1) The data are measured at the following conditions.

The pipe length is 5.0m.

Operation	Indoor air temperature		Outdoor air temperature		Standards
	DB	WB	DB	WB	
Cooling	27°C	19°C	35°C	24°C	ISO5151-T1
Heating	20°C	-	7°C	6°C	ISO5151-H1
Heating (H2)	20°C	-	2°C	1°C	ISO5151-H2

(2) This air-conditioner is manufactured and tested in conformity with the ISO.

(3) Sound level indicates the value in an anechoic chamber. During operation these values are somewhat higher due to ambient conditions.

(4) Select the breaker size according to the own national standard.

Item		Model	SRK25ZS-ST		
			Indoor unit SRK25ZS-ST	Outdoor unit SRC25ZS-S	
Power source			1 Phase, 220 - 240V, 50Hz		
Operation data	Nominal cooling capacity (range)	kW	2.5 (1.0 (Min.) - 3.0 (Max.))		
	Nominal heating capacity (range)	kW	3.2 (0.9 (Min.) - 4.4 (Max.))		
	Heating capacity (H2)	kW	-		
	Power consumption	Cooling	kW	0.62 (0.21 - 0.88)	
		Heating		0.80 (0.17 - 1.36)	
		Heating (H2)		-	
	Max power consumption		1.65		
	Running current	Cooling	A	3.2 / 3.1 / 3.0 (220/ 230/ 240V)	
		Heating		4.0 / 3.8 / 3.6 (220/ 230/ 240V)	
	Inrush current, max current		4.0 / 3.8 / 3.6 (220/ 230/ 240V) Max. 9		
	Power factor	Cooling	%	87	
		Heating		91.5	
	EER	Cooling		4.03	
	COP	Heating		4.00	
		Heating (H2)		-	
Sound power level	Cooling	dB(A)	52	58	
	Heating		55	58	
Sound pressure level	Cooling		Hi: 36 Me: 28 Lo: 23 ULo: 19	46	
	Heating		Hi: 39 Me: 30 Lo: 24 ULo: 19	46	
Silent mode sound pressure level			-	Cooling:42 / Heating: 43	
Exterior dimensions (Height x Width x Depth)	mm	290 x 870 x 230		540 x 780 (+62) x 290	
Exterior appearance (Equivalent color : Munsell, RAL)		Titanium gray (1.6Y 6.59/0.63), (7048) Black (4.0PB 2.44/0.25), (9011)		Stucco white (4.2Y 7.5/1.1), (7044)	
Net weight	kg	9.5		31.5	
Compressor type & Quantity		-		RM-B5077MDE1(Rotary type) x 1	
Compressor motor (Starting method)	kW	-		0.75 (Inverter driven)	
Refrigerant oil (Amount, type)	ℓ	-		0.35 (DIAMOND FREEZE MA68)	
Refrigerant (Type, amount, pre-charge length)	kg	R410A 0.75 in outdoor unit (incl. the amount for the piping of 15m)			
Heat exchanger		Louver fins & inner grooved tubing		M fins & inner grooved tubing	
Refrigerant control		Capillary tubes + Electronic expansion valve			
Fan type & Quantity		Tangential fan x 1		Propeller fan x 1	
Fan motor (Starting method)	W	30 x1 (Direct drive)		24 x1 (Direct drive)	
Air flow	Cooling	m³/min	Hi: 9.9 Me: 8.0 Lo: 5.9 ULo: 5.0		
	Heating		Hi: 11.3 Me: 8.7 Lo: 6.7 ULo: 5.9		
Available external static pressure	Pa	0		0	
Outside air intake		Not possible		-	
Air filter, Quality / Quantity		Polypropylene net (washable) x 2		-	
Shock & vibration absorber		Rubber sleeve (for fan motor)		Rubber sleeve (for fan motor & compressor)	
Electric heater		-		-	
Operation control	Remote control	Wireless remote control			
	Room temperature control	Microcomputer thermostat			
	Operation display	RUN: Green, TIMER: Yellow			
Safety equipments		Compressor overheat protection, Overcurrent protection, Frost protection, Serial signal error protection, Indoor fan motor error protection, Heating overload protection(High pressure control), Cooling overload protection			
Installation data	Refrigerant piping size (O.D)	mm	Liquid line: φ6.35 (1/4") Gas line: φ9.52 (3/8")		
	Connecting method		Flare connection		
	Attached length of piping	m	Liquid line : 0.54 / Gas line : 0.47		
	Insulation for piping		Necessary (Both sides), independent		
	Refrigerant line (one way) length	m	Max.20		
	Vertical height diff. between O.U. and I.U.	m	Max.10 (Outdoor unit is higher) / Max.10 (Outdoor unit is lower)		
Drain hose		Hose connectable (VP16)		Holes φ20 x 2 pcs	
Drain pump, max lift height	mm	-		-	
Recommended breaker size	A	16			
L.R.A. (Locked rotor ampere)	A	4.0 / 3.8 / 3.6 (220/ 230/ 240V)			
Interconnecting wires	Size x Core number	1.5mm² x 4 cores (Including earth cable) / Terminal block (Screw fixing type)			
IP number		IPX0		IPX4	
Standard accessories		Mounting kit, Clean filter (Allergen clear filter x 1, Photocatalytic washable deodorizing filter x 1)			
Option parts		Interface kit (SC-BIKN-E)			

Notes (1) The data are measured at the following conditions.

The pipe length is 5.0m.

Operation	Item	Indoor air temperature		Outdoor air temperature		Standards
		DB	WB	DB	WB	
Cooling		27°C	19°C	35°C	24°C	ISO5151-T1
Heating		20°C	-	7°C	6°C	ISO5151-H1
Heating (H2)		20°C	-	2°C	1°C	ISO5151-H2

(2) This air-conditioner is manufactured and tested in conformity with the ISO.

(3) Sound level indicates the value in an anechoic chamber. During operation these values are somewhat higher due to ambient conditions.

(4) Select the breaker size according to the own national standard.

Item		Model	SRK35ZS-ST		
			Indoor unit SRK35ZS-ST	Outdoor unit SRC35ZS-S	
Power source			1 Phase, 220 - 240V, 50Hz		
Operation data	Nominal cooling capacity (range)	kW	3.5 (1.0 (Min.) - 3.8 (Max.))		
	Nominal heating capacity (range)	kW	4.0 (0.9 (Min.) - 4.8 (Max.))		
	Heating capacity (H2)	kW	-		
	Power consumption	Cooling	kW	1.01 (0.21 - 1.24)	
		Heating		1.00 (0.17 - 1.45)	
		Heating (H2)		-	
	Max power consumption		1.65		
	Running current	Cooling	A	4.9 / 4.7 / 4.5 (220/ 230/ 240V)	
		Heating		4.9 / 4.7 / 4.5 (220/ 230/ 240V)	
	Inrush current, max current			4.9 / 4.7 / 4.5 (220/ 230/ 240V) Max. 9	
	Power factor	Cooling	%	93.4	
		Heating		92.5	
	EER	Cooling		3.47	
	COP	Heating		4.00	
		Heating (H2)		-	
Sound power level	Cooling	dB(A)	56	62	
	Heating		58	61	
Sound pressure level	Cooling		Hi: 40 Me: 30 Lo: 26 ULo: 19	50	
	Heating		Hi: 41 Me: 36 Lo: 25 ULo: 19	48	
Silent mode sound pressure level			-	Cooling:45 / Heating: 44	
Exterior dimensions (Height x Width x Depth)	mm		290 x 870 x 230	540 x 780 (+62) x 290	
Exterior appearance (Equivalent color : Munsell, RAL)			Titanium gray (1.6Y 6.59/0.63), (7048) Black (4.0PB 2.44/0.25), (9011)	Stucco white (4.2Y 7.5/1.1), (7044)	
Net weight	kg		9.5	34.5	
Compressor type & Quantity			-	RM-B5077MDE1(Rotary type) x 1	
Compressor motor (Starting method)	kW		-	0.90 (Inverter driven)	
Refrigerant oil (Amount, type)	ℓ		-	0.35 (DIAMOND FREEZE MA68)	
Refrigerant (Type, amount, pre-charge length)	kg		R410A 0.95 in outdoor unit (incl. the amount for the piping of 15m)		
Heat exchanger			Louver fins & inner grooved tubing	M fins & inner grooved tubing	
Refrigerant control			Capillary tubes + Electronic expansion valve		
Fan type & Quantity			Tangential fan x 1	Propeller fan x 1	
Fan motor (Starting method)	W		30 x1 (Direct drive)	24 x1 (Direct drive)	
Air flow	Cooling	m³/min	Hi: 11.3 Me: 8.7 Lo: 7.0 ULo: 5.0	31.5	
	Heating		Hi: 12.3 Me: 11.0 Lo: 7.0 ULo: 5.6	27.8	
Available external static pressure	Pa		0	0	
Outside air intake			Not possible	-	
Air filter, Quality / Quantity			Polypropylene net (washable) x 2	-	
Shock & vibration absorber			Rubber sleeve (for fan motor)	Rubber sleeve (for fan motor & compressor)	
Electric heater			-	-	
Operation control	Remote control		Wireless remote control		
	Room temperature control		Microcomputer thermostat		
	Operation display		RUN: Green, TIMER: Yellow		
Safety equipments			Compressor overheat protection, Overcurrent protection, Frost protection, Serial signal error protection, Indoor fan motor error protection, Heating overload protection (High pressure control), Cooling overload protection		
Installation data	Refrigerant piping size (O.D)	mm	Liquid line: φ6.35 (1/4")	Gas line: φ9.52 (3/8")	
	Connecting method		Flare connection	Flare connection	
	Attached length of piping	m	Liquid line : 0.54 / Gas line : 0.47	-	
	Insulation for piping		Necessary (Both sides), independent		
	Refrigerant line (one way) length	m	Max.20		
	Vertical height diff. between O.U. and I.U.	m	Max.10 (Outdoor unit is higher) / Max.10 (Outdoor unit is lower)		
Drain hose			Hose connectable (VP16)	Holes φ20 x 2 pcs	
Drain pump, max lift height	mm		-	-	
Recommended breaker size	A		16		
L.R.A. (Locked rotor ampere)	A		4.9 / 4.7 / 4.5 (220/ 230/ 240V)		
Interconnecting wires	Size x Core number		1.5mm² x 4 cores (Including earth cable) / Terminal block (Screw fixing type)		
IP number			IPX0	IPX4	
Standard accessories			Mounting kit, Clean filter (Allergen clear filter x 1, Photocatalytic washable deodorizing filter x 1)		
Option parts			Interface kit (SC-BIKN-E)		

Notes (1) The data are measured at the following conditions.

The pipe length is 5.0m.

Operation	Item	Indoor air temperature		Outdoor air temperature		Standards
		DB	WB	DB	WB	
Cooling		27°C	19°C	35°C	24°C	ISO5151-T1
Heating		20°C	-	7°C	6°C	ISO5151-H1
Heating (H2)		20°C	-	2°C	1°C	ISO5151-H2

(2) This air-conditioner is manufactured and tested in conformity with the ISO.

(3) Sound level indicates the value in an anechoic chamber. During operation these values are somewhat higher due to ambient conditions.

(4) Select the breaker size according to the own national standard.

Item		Model	SRK50ZS-ST		
			Indoor unit SRK50ZS-ST	Outdoor unit SRC50ZS-S	
Power source			1 Phase, 220 - 240V, 50Hz		
Operation data	Nominal cooling capacity (range)	kW	5.0 (1.7 (Min.) - 5.5 (Max.))		
	Nominal heating capacity (range)	kW	5.8 (1.6 (Min.) - 6.6 (Max.))		
	Heating capacity (H2)	kW	-		
	Power consumption	Cooling	kW	1.56 (0.40 - 2.30)	
				Heating	1.59 (0.37 - 2.30)
		Heating (H2)		-	
	Max power consumption		2.68		
	Running current	Cooling	A	7.2 / 6.9 / 6.6 (220/ 230/ 240V)	
		Heating		7.3 / 7.0 / 6.7 (220/ 230/ 240V)	
	Inrush current, max current		7.3 / 7.0 / 6.7 (220/ 230/ 24V) Max. 14.5		
	Power factor	Cooling	%	99	
		Heating		99	
	EER	Cooling		3.21	
	COP	Heating		3.65	
		Heating (H2)		-	
Sound power level	Cooling	dB(A)	58	62	
	Heating		59	63	
Sound pressure level	Cooling		Hi: 45 Me: 36 Lo: 28 ULo: 22	51	
	Heating		Hi: 45 Me: 37 Lo: 31 ULo: 24	53	
Silent mode sound pressure level			-	Cooling:43 / Heating:45	
Exterior dimensions (Height x Width x Depth)	mm	290 x 870 x 230		595 x 780 (+62) x 290	
Exterior appearance (Equivalent color : Munsell, RAL)		Titanium gray (1.6Y 6.59/0.63), (7048) Black (4.0PB 2.44/0.25), (9011)		Stucco white (4.2Y 7.5/1.1), (7044)	
Net weight	kg	10		36.5	
Compressor type & Quantity		-		5RS132XAB21(Rotary type) x 1	
Compressor motor (Starting method)	kW	-		1.50 (Inverter driven)	
Refrigerant oil (Amount, type)	ℓ	-		0.37 (FV50S)	
Refrigerant (Type, amount, pre-charge length)	kg	R410A 1.25 in outdoor unit (incl. the amount for the piping of 15m)			
Heat exchanger		Louver fins & inner grooved tubing		M fins & inner grooved tubing	
Refrigerant control		Capillary tubes + Electronic expansion valve			
Fan type & Quantity		Tangential fan x 1		Propeller fan x 1	
Fan motor (Starting method)	W	30 x1 (Direct drive)		24 x1 (Direct drive)	
Air flow	Cooling	m³/min	Hi: 12.1 Me: 9.9 Lo: 7.4 ULo: 5.9	32.8	
	Heating		Hi: 13.9 Me: 11.2 Lo: 9.1 ULo: 7.4	32.8	
Available external static pressure	Pa	0		0	
Outside air intake		Not possible		-	
Air filter, Quality / Quantity		Polypropylene net (washable) x 2		-	
Shock & vibration absorber		Rubber sleeve (for fan motor)		Rubber sleeve (for fan motor & compressor)	
Electric heater		-		-	
Operation control	Remote control	Wireless remote control			
	Room temperature control	Microcomputer thermostat			
	Operation display	RUN: Green, TIMER: Yellow			
Safety equipments		Compressor overheat protection, Overcurrent protection, Frost protection, Serial signal error protection, Indoor fan motor error protection, Heating overload protection(High pressure control), Cooling overload protection			
Installation data	Refrigerant piping size (O.D)	mm	Liquid line: φ6.35 (1/4")	Gas line: φ12.7 (1/2")	
	Connecting method		Flare connection	Flare connection	
	Attached length of piping	m	Liquid line : 0.54 / Gas line : 0.47	-	
	Insulation for piping		Necessary (Both sides), independent		
	Refrigerant line (one way) length	m	Max.25		
	Vertical height diff. between O.U. and I.U.	m	Max.15 (Outdoor unit is higher) / Max.15 (Outdoor unit is lower)		
Drain hose		Hose connectable (VP16)		Holes φ20 x 2 pcs	
Drain pump, max lift height	mm	-		-	
Recommended breaker size	A	20			
L.R.A. (Locked rotor ampere)	A	7.3 / 7.0 / 6.7 (220/ 230/ 240V)			
Interconnecting wires	Size x Core number	1.5mm² x 4 cores (Including earth cable) / Terminal block (Screw fixing type)			
IP number		IPX0		IPX4	
Standard accessories		Mounting kit, Clean filter (Allergen clear filter x 1, Photocatalytic washable deodorizing filter x 1)			
Option parts		Interface kit (SC-BIKN-E)			

Notes (1) The data are measured at the following conditions.

The pipe length is 5.0m.

Operation	Item	Indoor air temperature		Outdoor air temperature		Standards
		DB	WB	DB	WB	
Cooling		27°C	19°C	35°C	24°C	ISO5151-T1
Heating		20°C	-	7°C	6°C	ISO5151-H1
Heating (H2)		20°C	-	2°C	1°C	ISO5151-H2

(2) This air-conditioner is manufactured and tested in conformity with the ISO.

(3) Sound level indicates the value in an anechoic chamber. During operation these values are somewhat higher due to ambient conditions.

(4) Select the breaker size according to the own national standard.

Packing material weight list

Unit: kg

Material		Gross Weight	Packing Parts weight (Total)	Glass	Plastic	Paper and board	Metal		Wood	Other
							Aluminium	Steel		
Model										
Indoor	SRK20ZS-S	12.0	1.21	0.00	0.33	0.88	0.00	0.00	0.00	0.00
	SRK25ZS-S	12.0	1.21	0.00	0.33	0.88	0.00	0.00	0.00	0.00
	SRK35ZS-S	12.0	1.21	0.00	0.33	0.88	0.00	0.00	0.00	0.00
	SRK50ZS-S	12.5	1.21	0.00	0.33	0.88	0.00	0.00	0.00	0.00
	SRK20ZS-SB	12.0	1.21	0.00	0.33	0.88	0.00	0.00	0.00	0.00
	SRK25ZS-SB	12.0	1.21	0.00	0.33	0.88	0.00	0.00	0.00	0.00
	SRK35ZS-SB	12.0	1.21	0.00	0.33	0.88	0.00	0.00	0.00	0.00
	SRK50ZS-SB	12.5	1.21	0.00	0.33	0.88	0.00	0.00	0.00	0.00
	SRK20ZS-ST	12.0	1.21	0.00	0.33	0.88	0.00	0.00	0.00	0.00
	SRK25ZS-ST	12.0	1.21	0.00	0.33	0.88	0.00	0.00	0.00	0.00
	SRK35ZS-ST	12.0	1.21	0.00	0.33	0.88	0.00	0.00	0.00	0.00
SRK50ZS-ST	12.5	1.21	0.00	0.33	0.88	0.00	0.00	0.00	0.00	
Outdoor	SRC20ZS-S	33.0	2.04	0.00	0.35	1.69	0.00	0.00	0.00	0.00
	SRC25ZS-S	33.0	2.04	0.00	0.35	1.69	0.00	0.00	0.00	0.00
	SRC35ZS-S	36.0	2.04	0.00	0.35	1.69	0.00	0.00	0.00	0.00
	SRC50ZS-S	38.0	2.04	0.00	0.35	1.69	0.00	0.00	0.00	0.00

2. EXTERIOR DIMENSIONS

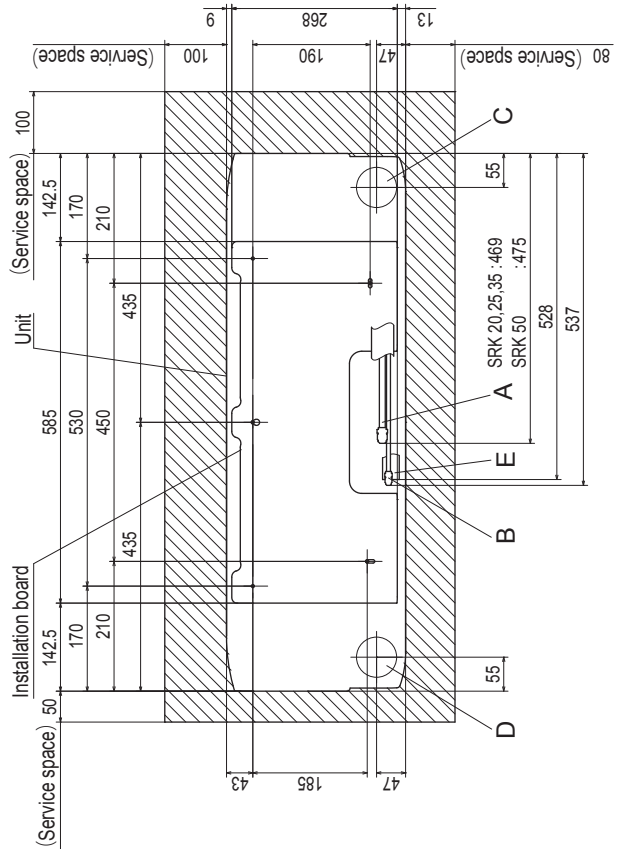
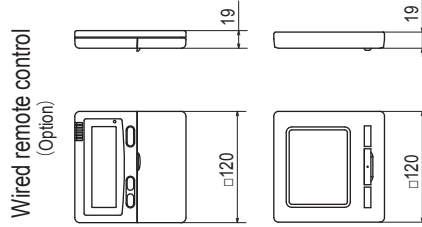
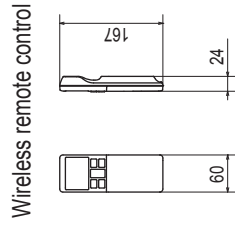
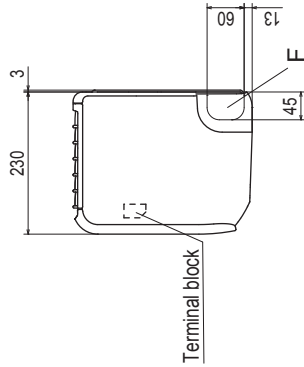
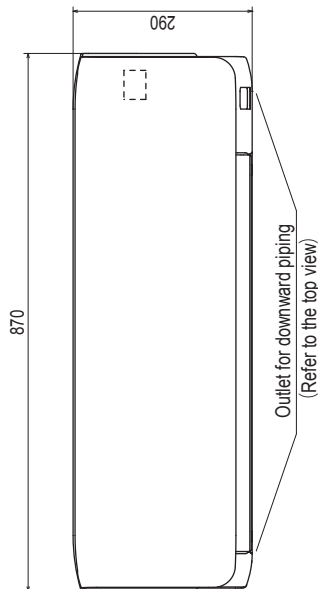
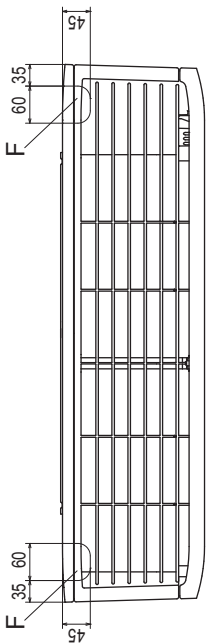
(1) Indoor units

Models SRK20ZS-S, 25ZS-S, 35ZS-S, 50ZS-S

SRK20ZS-SB, 25ZS-SB, 35ZS-SB, 50ZS-SB

SRK20ZS-ST, 25ZS-ST, 35ZS-ST, 50ZS-ST

Symbol	Content
A	Gas piping SRK20, 25, 35 ϕ 9.52 (3/8") (Flare) SRK50 ϕ 12.7 (1/2") (Flare)
B	Liquid piping ϕ 6.35 (1/4") (Flare)
C	Hole on wall for right rear piping (ϕ 65)
D	Hole on wall for left rear piping (ϕ 65)
E	Drain hose VP16
F	Outlet for piping (on both side)



- Notes
- (1) The model name label is attached on the right side of the unit.
 - (2) To connect the wired remote control, the interface kit (SC-BIKN-E) is required.

Unit:mm

RLF000Z101

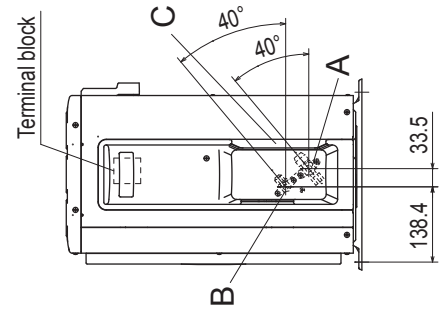
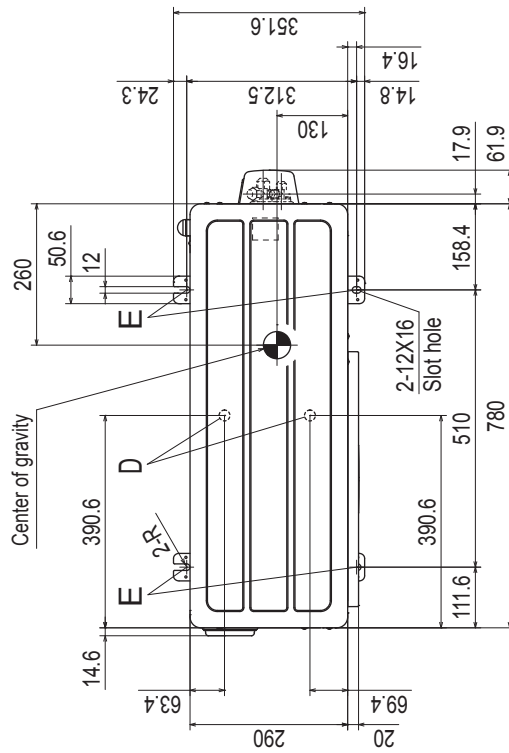
(2) Outdoor units

Models SRC20ZS-S, 25ZS-S, 35ZS-S

Notes

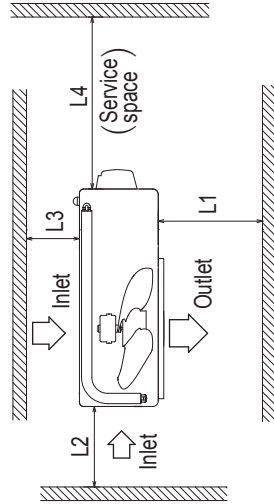
- (1) The unit must not be surrounded by walls on the four sides.
- (2) The unit must be fixed with anchor bolts. An anchor bolt must not protrude more than 15mm.
- (3) If the unit is installed in the location where there is a possibility of strong winds, place the unit such that the direction of air from the outlet gets perpendicular to the wind direction.
- (4) Leave 200mm or more space above the unit.
- (5) The wall height on the outlet side should be 1200mm or less.
- (6) The model name label is attached on the right side of the unit.

Symbol	Content
A	Service valve connection (gas side) $\phi 9.52$ (3/8") (Flare)
B	Service valve connection (liquid side) $\phi 6.35$ (1/4") (Flare)
C	Pipe/cable draw-out hole
D	Drain discharge hole $\phi 20 \times 2$ places
E	Anchor bolt hole M10-12 \times 4 places



Unit:mm

Installation space	Requirement
L1	280 or more
L2	100 or more
L3	80 or more
L4	250 or more



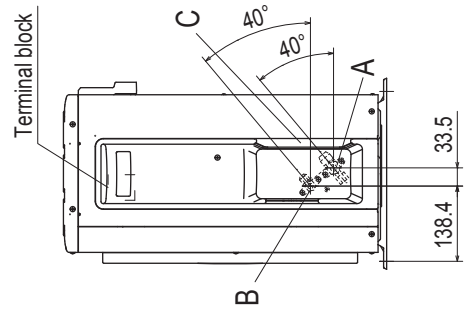
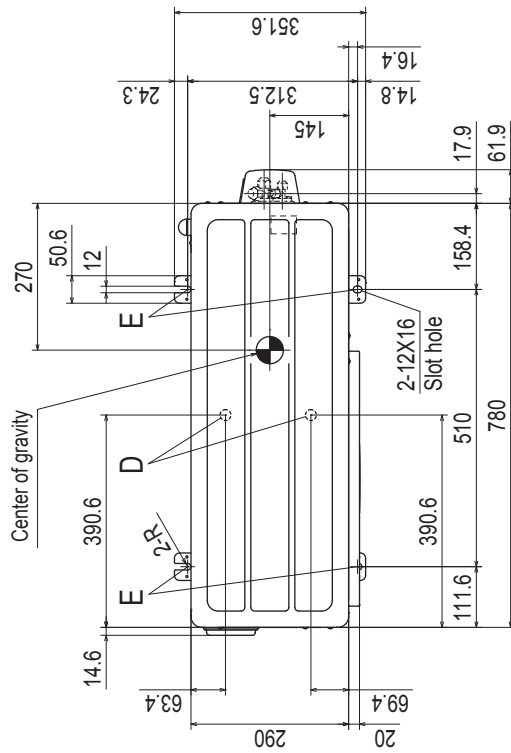
RCV000Z030

Model SRC50ZS-S

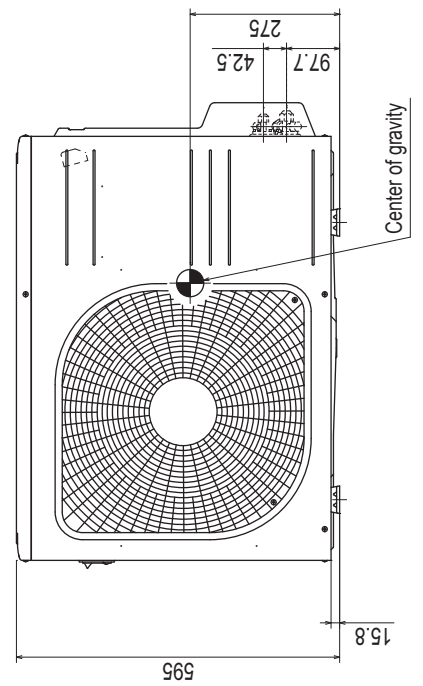
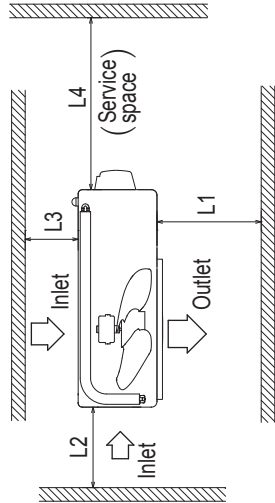
Notes

- (1) The unit must not be surrounded by walls on the four sides.
- (2) The unit must be fixed with anchor bolts. An anchor bolt must not protrude more than 15mm.
- (3) If the unit is installed in the location where there is a possibility of strong winds, place the unit such that the direction of air from the outlet gets perpendicular to the wind direction.
- (4) Leave 200mm or more space above the unit.
- (5) The wall height on the outlet side should be 1200mm or less.
- (6) The model name label is attached on the right side of the unit.

Symbol	Content
A	Service valve connection (gas side) ϕ 12.7 (1/2") (Flare)
B	Service valve connection (liquid side) ϕ 6.35 (1/4") (Flare)
C	Pipe/cable draw-out hole
D	Drain discharge hole ϕ 20x2places
E	Anchor bolt hole M10-12x4places



Installation space	Installation space
L1	280 or more
L2	100 or more
L3	80 or more
L4	250 or more

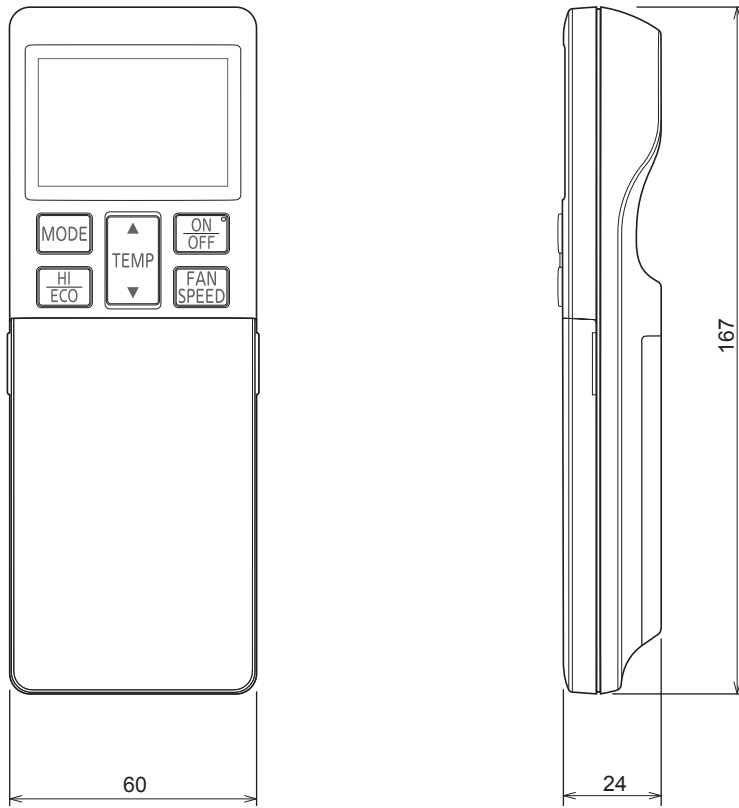


Unit:mm

RCV000Z031

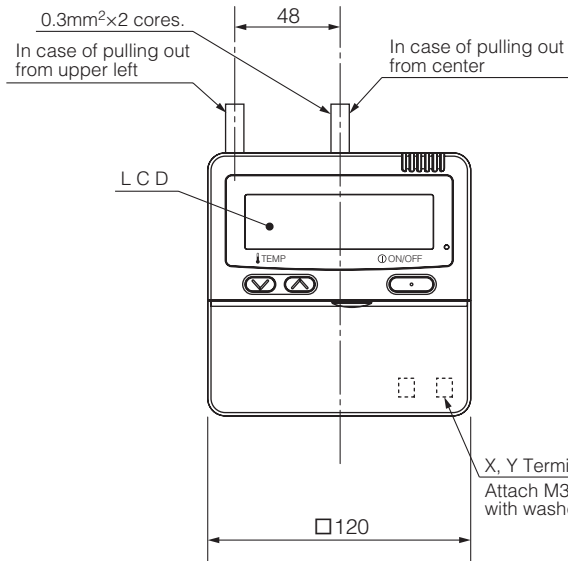
(3) Remote control
(a) Wireless remote control

Unit : mm



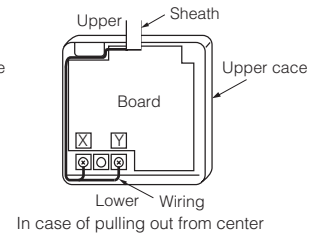
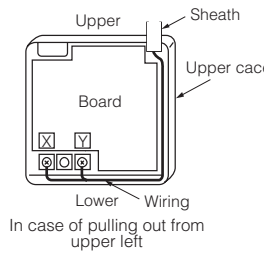
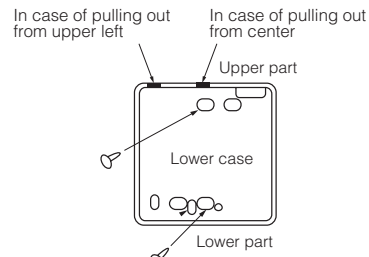
Model RC-E5

Exposed mounting

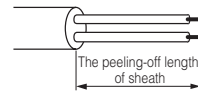


Exterior appearance (Munsell color) Pearl white (N8.5) near equivalent

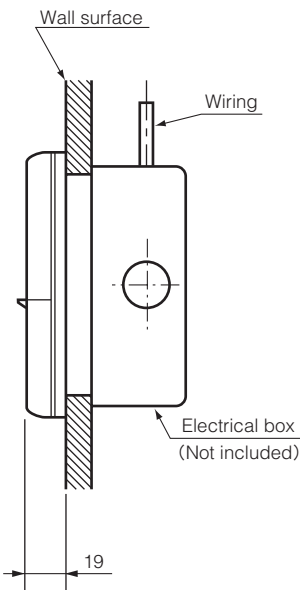
Wiring outlet
Cut off the upper thin part of remote control lower case with a nipper or knife, and grind burrs with a file etc.



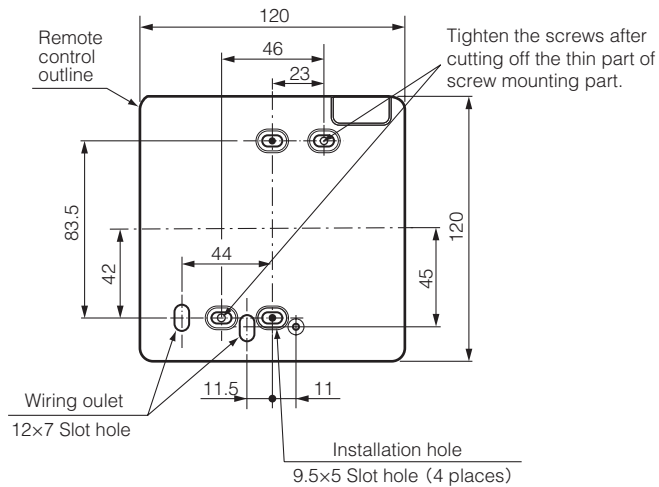
The peeling-off length of sheath	
Pulling out from upper left	Pulling out from center
X wiring : 215mm Y wiring : 195mm	X wiring : 170mm Y wiring : 190mm



Embedded mounting



Remote control installation dimensions



(1) Installation screw for remote control
M4 screw (2 pieces)

Unit:mm

Wiring specifications

(1) If the prolongation is over 100m, change to the size below.
But, wiring in the remote control case should be under 0.5mm². Change the wire size outside of the case according to wire connecting. Waterproof treatment is necessary at the wire connecting section. Be careful about contact failure.

Length	Wiring thickness
100 to 200m	0.5mm²×2 cores
Under 300m	0.75mm²×2 cores
Under 400m	1.25mm²×2 cores
Under 600m	2.0mm²×2 cores

PJZ000Z295

3. ELECTRICAL WIRING

(1) Indoor units

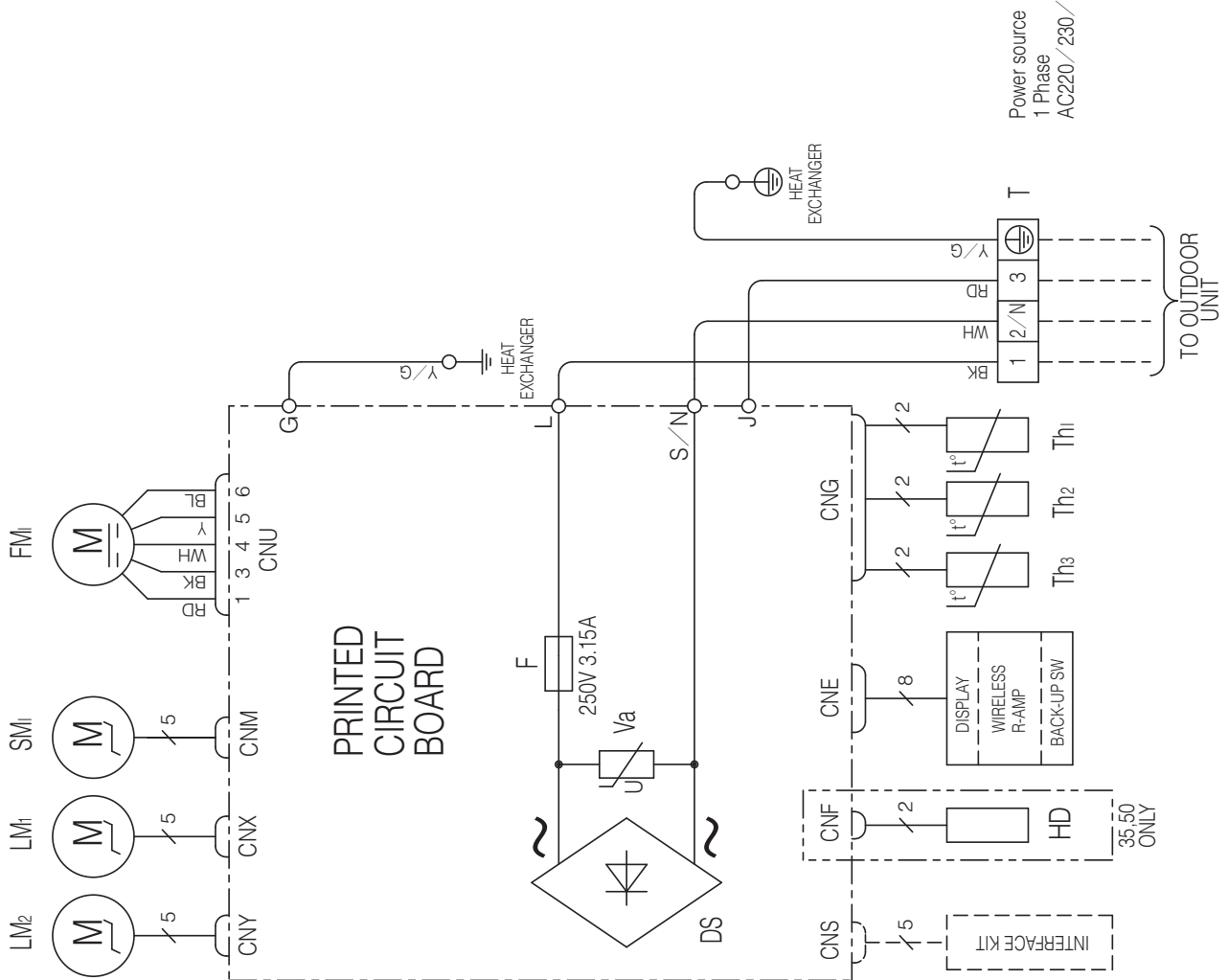
Models **SRK20ZS-S, 25ZS-S, 35ZS-S, 50ZS-S**

SRK20ZS-SB, 25ZS-SB, 35ZS-SB, 50ZS-SB

SRK20ZS-ST, 25ZS-ST, 35ZS-ST, 50ZS-ST

Item	Description
CNE/CNY	Connector
FMi	Fan motor
SMi	Flap motor
LMi,2	Louver motor
HD	Humidity sensor
Thi	Room temp. sensor
Th2,3	Heat exch. sensor
DS	Diode stack
F	Fuse
T	Terminal block
Va	Varistor

Mark	Color
BK	Black
BL	Blue
RD	Red
WH	White
Y	Yellow
Y/G	Yellow/Green

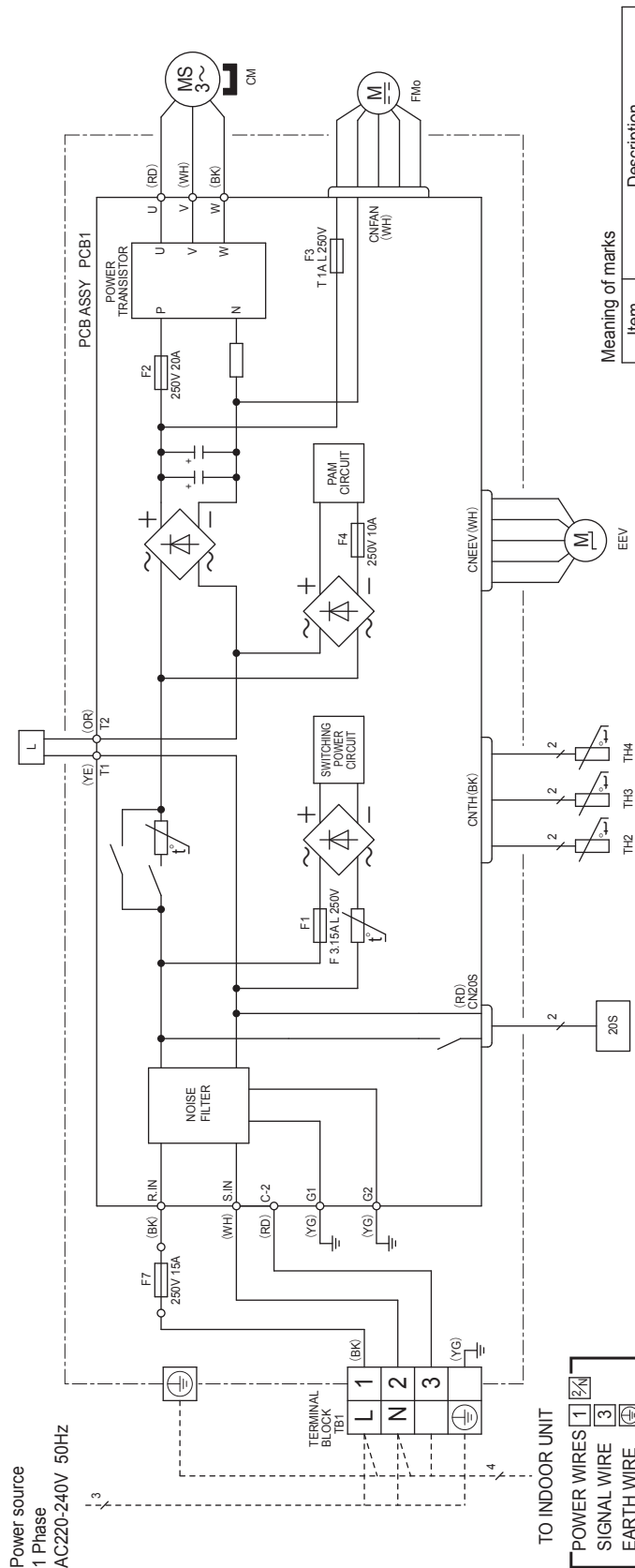


Power source
1 Phase
AC220 / 230 / 240V 50Hz

RWA000Z410

(2) Outdoor units

Models SRC20ZS-S, 25ZS-S, 35ZS-S



Meaning of marks

Item	Description
20S	4-way valve (coil)
CN20S	Connector
CNEEV	
CNFAN	
CNTH	
CM	Compressor motor
EEV	Electric expansion valve (coil)
FMO	Fan motor
L	Reactor
TH2	Heat exchanger sensor
TH3	Outdoor air temp. sensor
TH4	Discharge pipe temp. sensor

Color marks

Mark	Color
BK	Black
RD	Red
WH	White
OR	Orange
YE	Yellow
YG	Yellow / Green

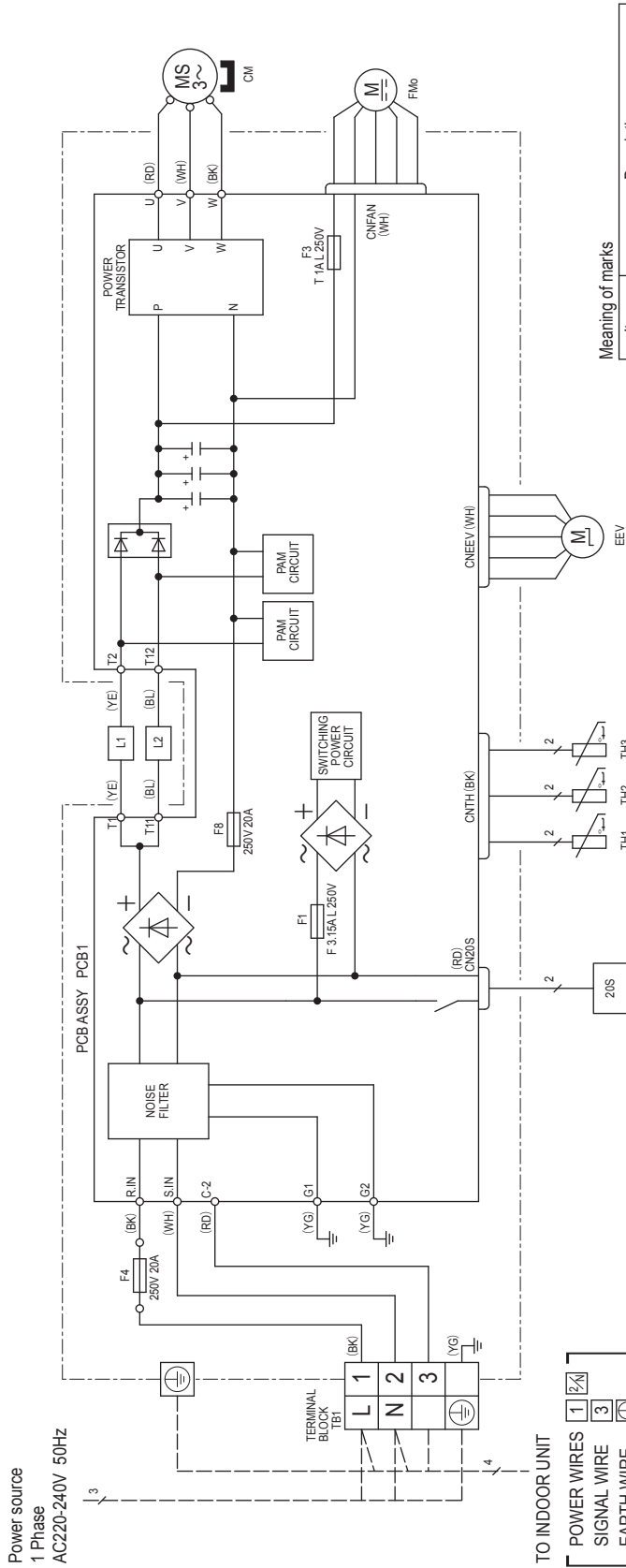
Power cable, indoor-outdoor connecting wires

Model name	MAX running current (A)	Power cable wire size x number	Power cable length (m)	Connecting cable wire size x number
SRC20ZS-S	9	2.0mm ² x 3	22	1.5mm ² x 4
SRC25ZS-S				
SRC35ZS-S				

- * The wire numbers include earth wire (Yellow / Green)
- Switchgear or circuit breaker capacity should be chosen according to national or regional electricity regulations
- The power cable specifications are based on the assumption that a metal or plastic conduit is used with no more than three cables contained in a conduit and a voltage drop is 2%. For an installation falling outside of these conditions, please follow the national or regional electricity regulations.

RWC000Z289

Model SRC50ZS-S



Power cable, indoor-outdoor connecting wires

Model name	MAX running current (A)	Power cable wire size x number	Power cable length (m)	Connecting cable wire size x number
SR050ZS-S	14.5	2.0mm ² x 3	14	1.5mm ² x 4

- * The wire numbers include earth wire (Yellow / Green)
- Switchgear or circuit breaker capacity should be chosen according to national or regional electricity regulations.
- The power cable specifications are based on the assumption that a metal or plastic conduit is used with no more than three cables contained in a conduit and a voltage drop is 2%. For an installation falling outside of these conditions, please follow the national or regional electricity regulations.

Meaning of marks

Item	Description
20S	4-way valve (coil)
CN20S	Connector
CNEEV	Compressor motor
CNFAN	Electric expansion valve (coil)
CNTH	Fan motor
CM	Reactor
EEV	Heat exchanger sensor
FMo	Outdoor air temp. sensor
L1,2	Discharge pipe temp. sensor
TH1	
TH2	
TH3	

Color marks

Mark	Color
BK	Black
BL	Blue
RD	Red
WH	White
YE	Yellow
YG	Yellow / Green

RWC000Z290

4. NOISE LEVEL

Model SRK20ZS-S, -SB, -ST

Condition ISO5151 T1/H1

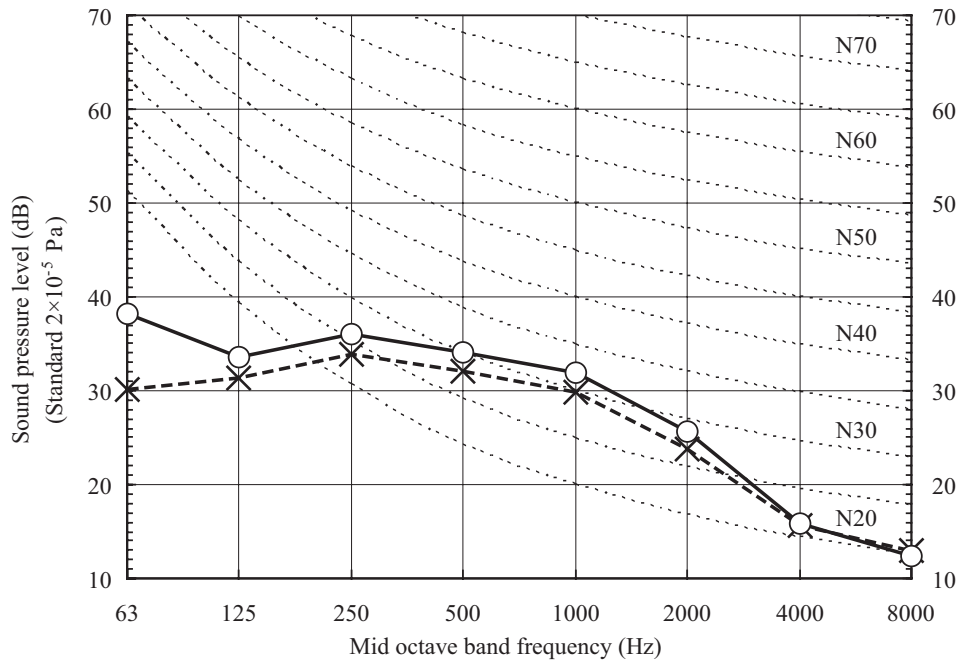
(Indoor Unit)

Model	SRK20ZS-S, -SB, -ST	
Noise Level	Cooling	34 dB(A)
	Heating	36 dB(A)

●Mike position



x Cooling ○ — Heating

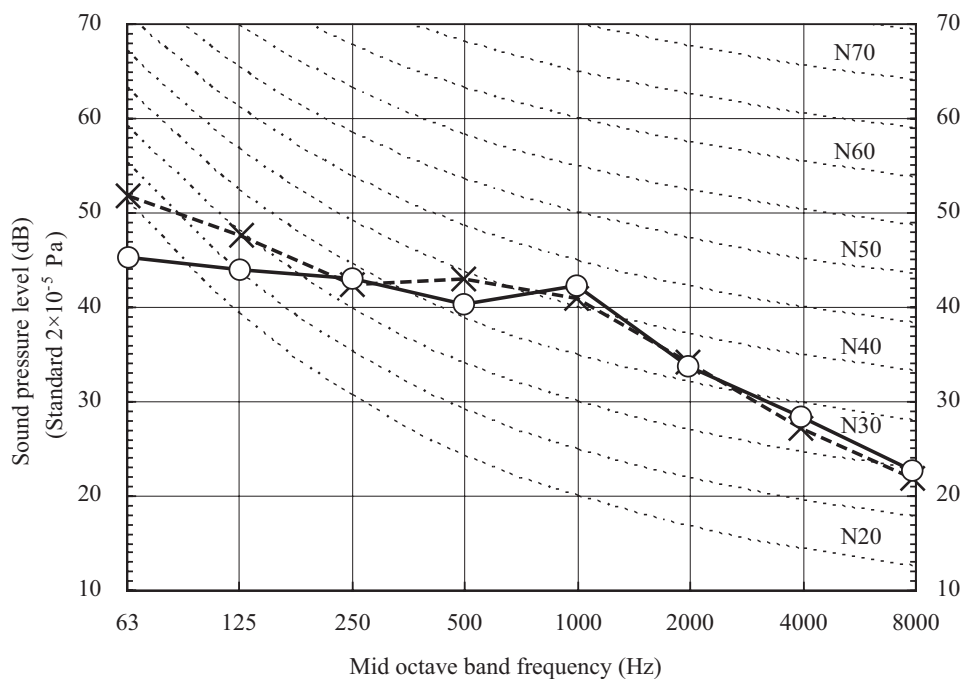


(Outdoor Unit)

Model	SRC20ZS-S	
Noise Level	Cooling	45 dB(A)
	Heating	45 dB(A)

●Mike position: at highest noise level in position as mentioned below
Distance from front side 1m

x Cooling ○ — Heating



Model SRK25ZS-S, -SB, -ST

(Indoor Unit)

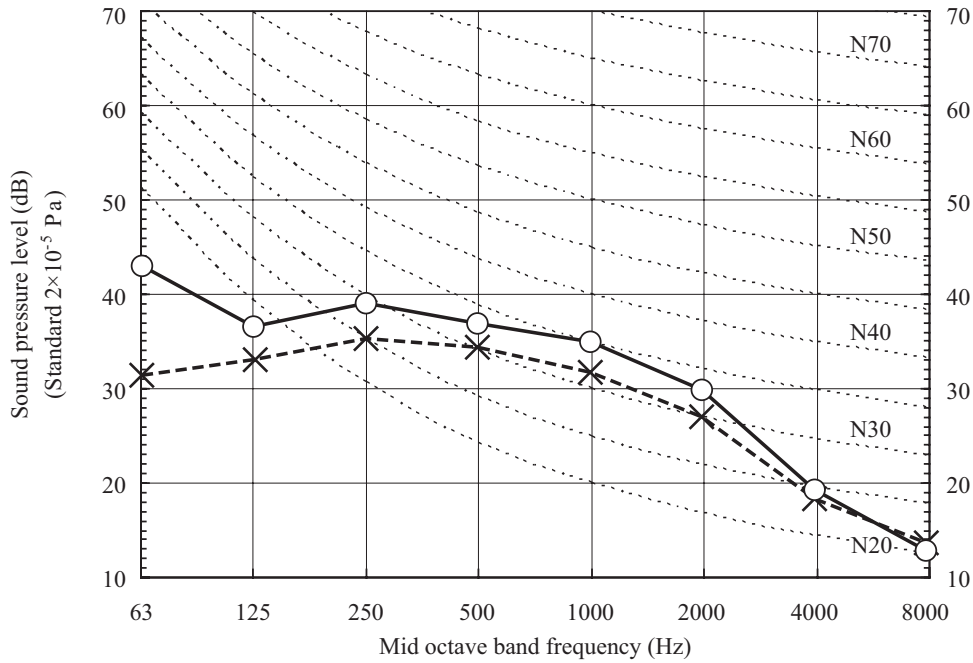
Model	SRK25ZS-S, -SB, -ST	
Noise Level	Cooling	36 dB(A)
	Heating	39 dB(A)

Condition ISO5151 T1/H1

●Mike position



x Cooling ○ — Heating

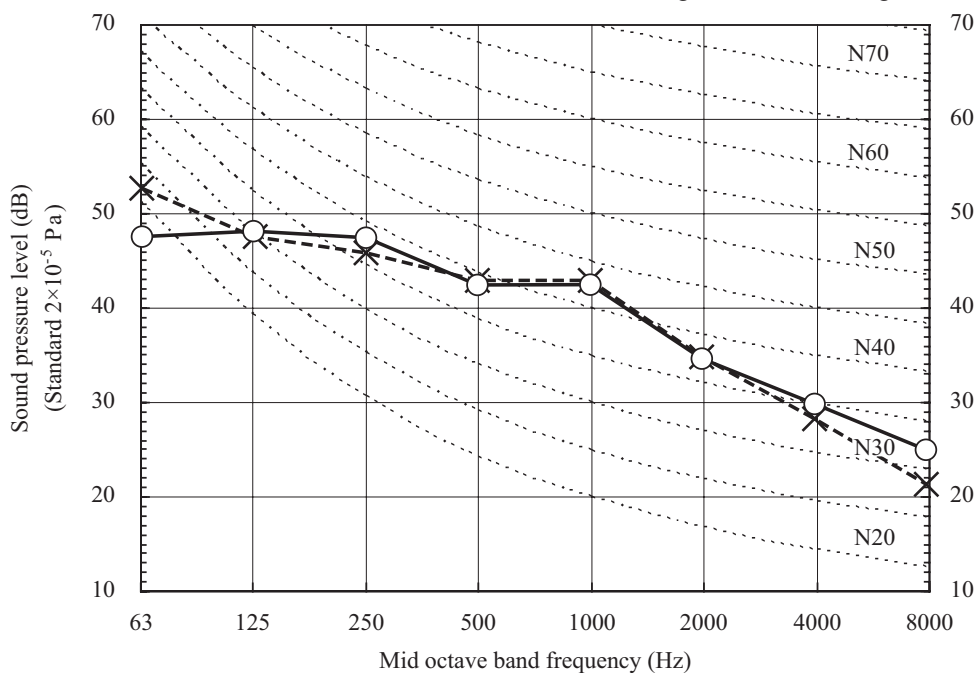


(Outdoor Unit)

Model	SRC25ZS-S	
Noise Level	Cooling	46 dB(A)
	Heating	46 dB(A)

●Mike position: at highest noise level in position as mentioned below
Distance from front side 1m

x Cooling ○ — Heating



Model SRK35ZS-S, -SB, -ST

(Indoor Unit)

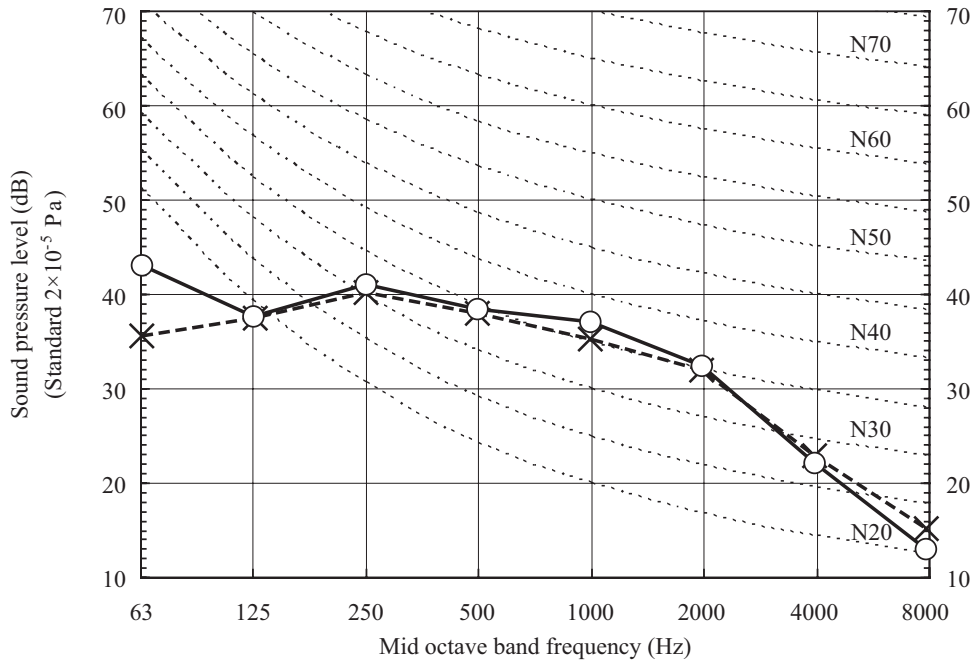
Model	SRK35ZS-S, -SB, -ST	
Noise Level	Cooling	40 dB(A)
	Heating	41 dB(A)

Condition ISO5151 T1/H1

●Mike position



x Cooling ○ — Heating

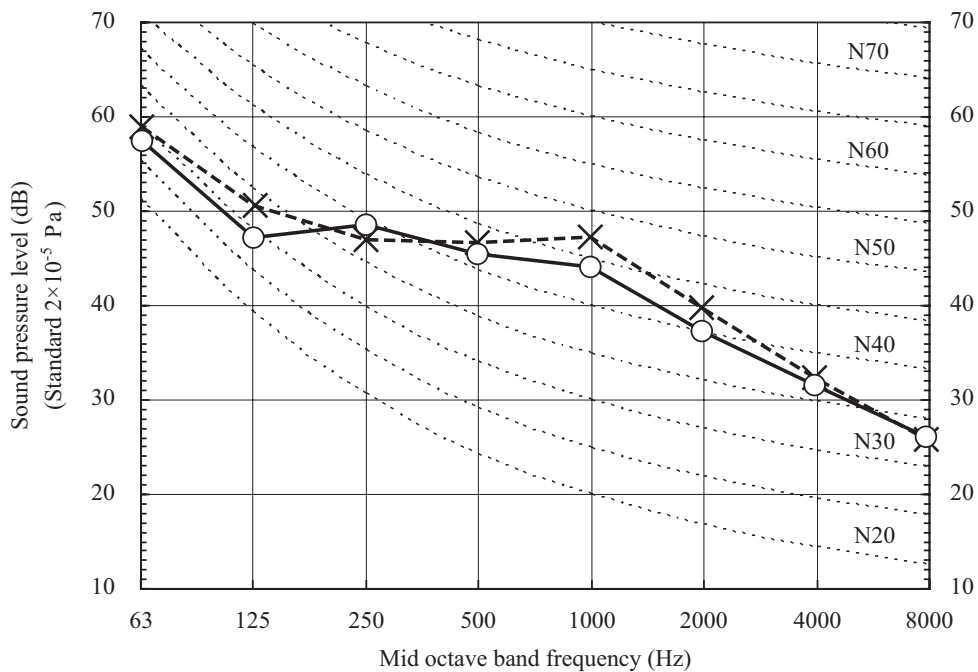


(Outdoor Unit)

Model	SRC35ZS-S	
Noise Level	Cooling	50 dB(A)
	Heating	48 dB(A)

●Mike position: at highest noise level in position as mentioned below
Distance from front side 1m

x Cooling ○ — Heating



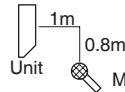
Model SRK50ZS-S, -SB, -ST

(Indoor Unit)

Model	SRK50ZS-S, -SB, -ST	
Noise Level	Cooling	45 dB(A)
	Heating	45 dB(A)

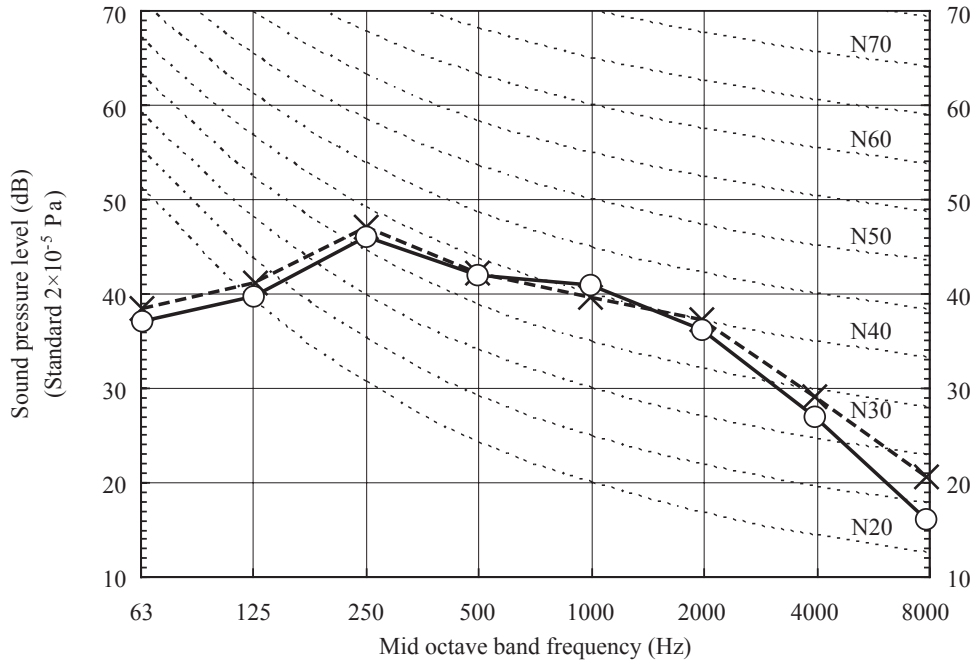
Condition ISO5151 T1/H1

● Mike position



○ Mike position (Center & low points)

x Cooling ○ — Heating

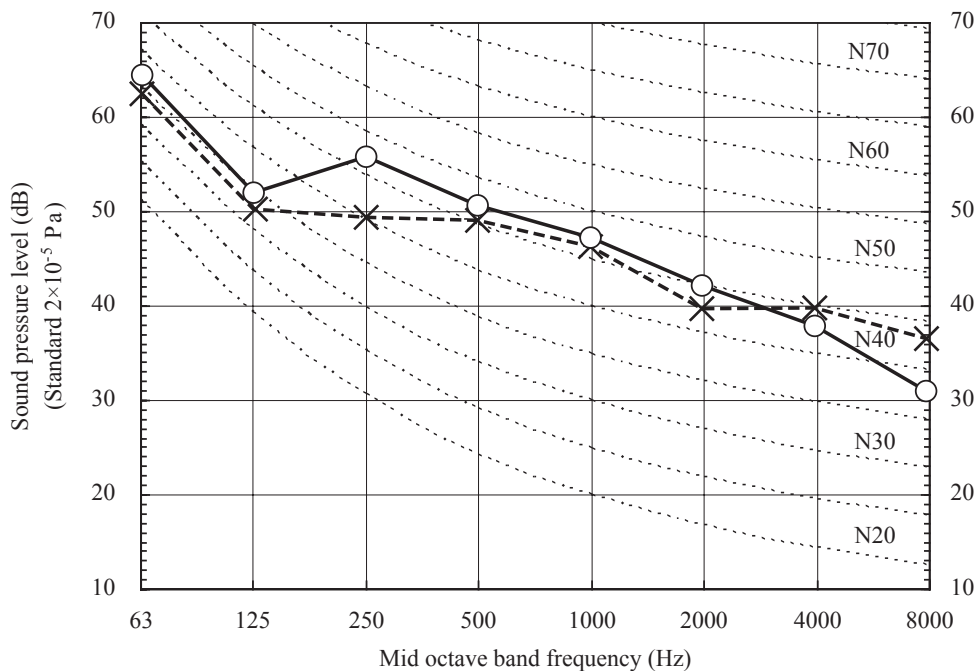


(Outdoor Unit)

Model	SRC50ZS-S	
Noise Level	Cooling	51 dB(A)
	Heating	53 dB(A)

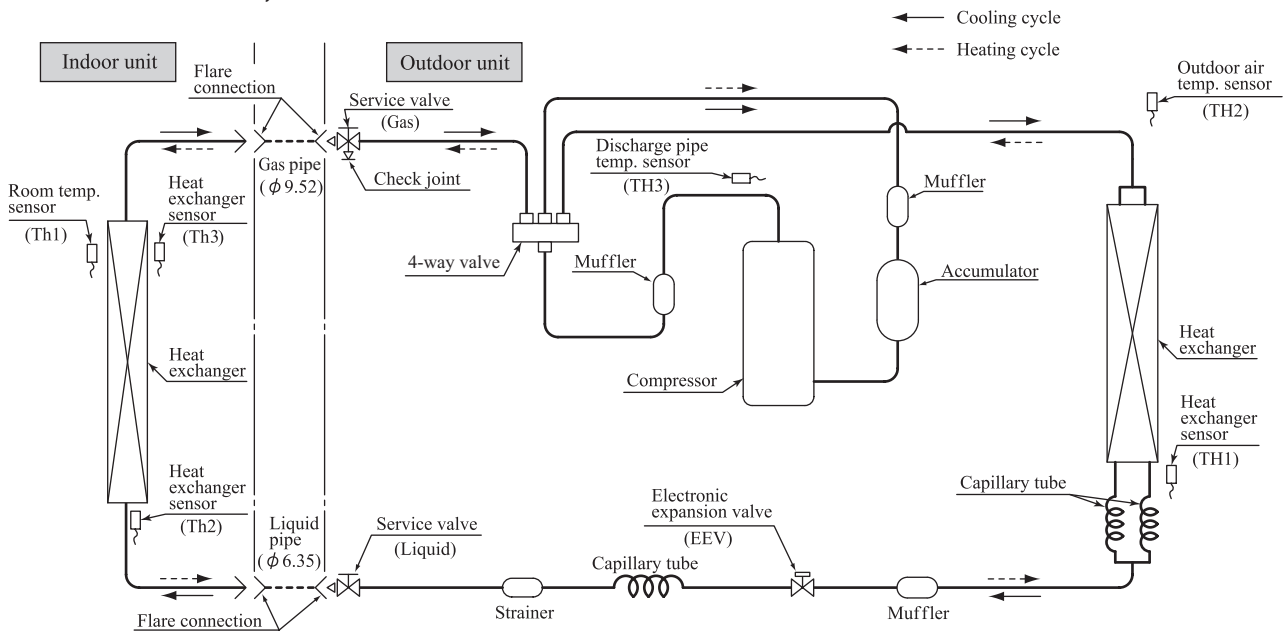
● Mike position: at highest noise level in position as mentioned below
Distance from front side 1m

x Cooling ○ — Heating

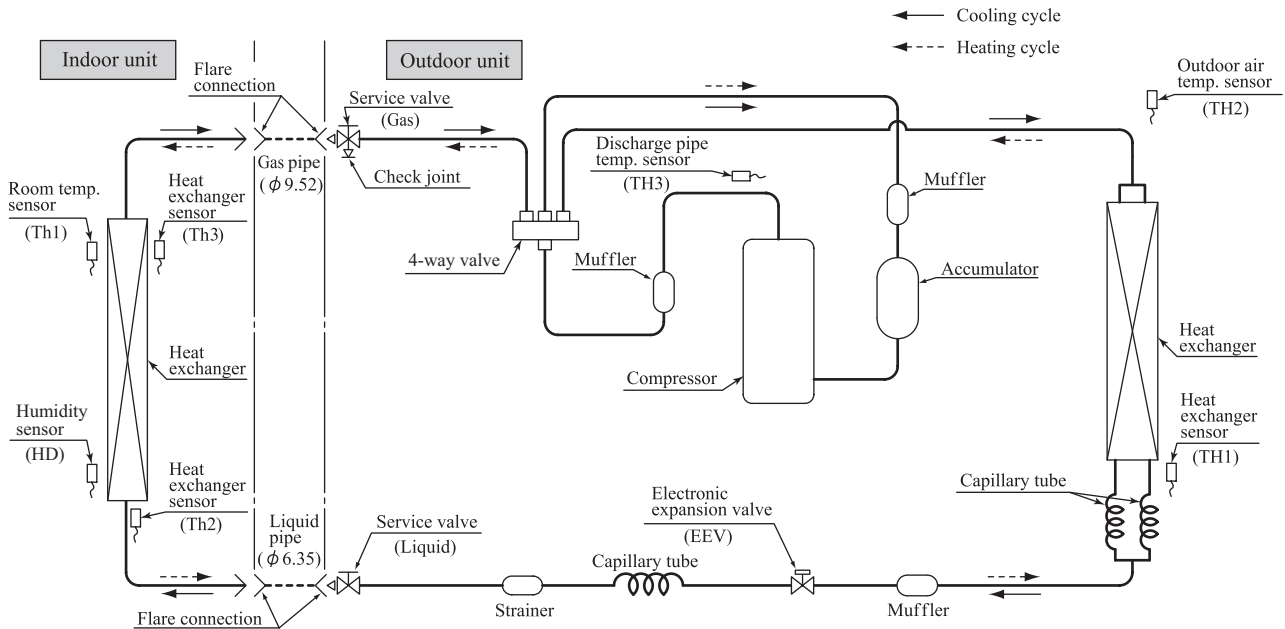


5. PIPING SYSTEM

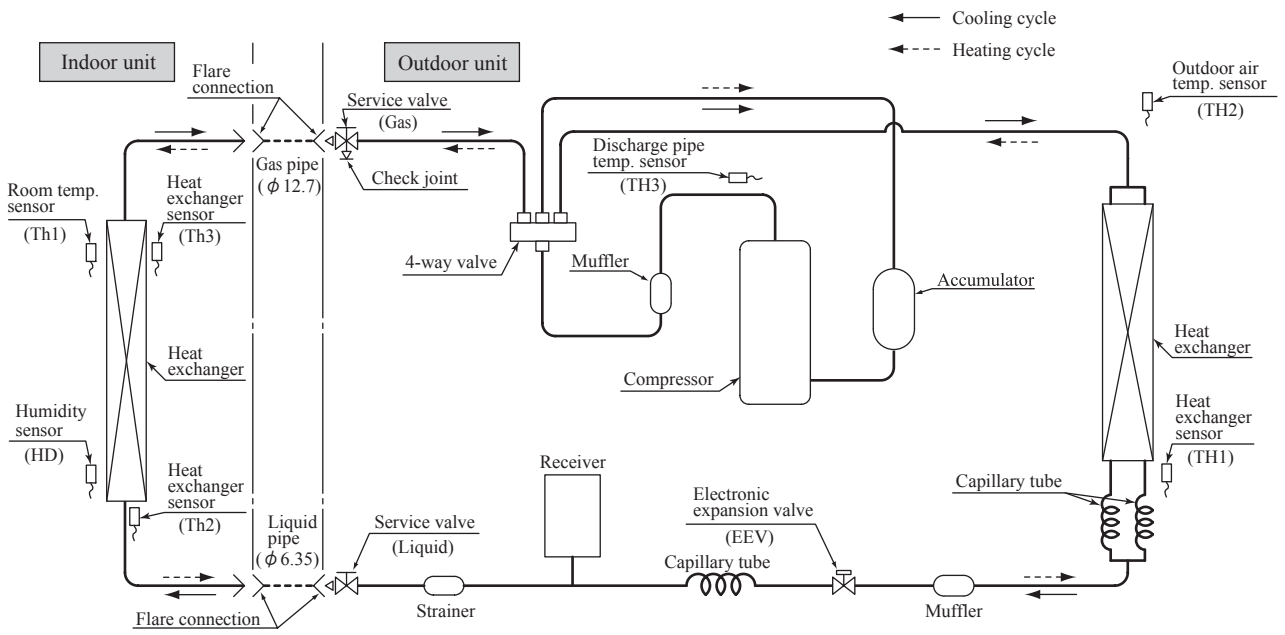
Models SRK20ZS-S, 25ZS-S
 SRK20ZS-SB, 25ZS-SB
 SRK20ZS-ST, 25ZS-ST



Models SRK35ZS-S
 SRK35ZS-SB
 SRK35ZS-ST



**Models SRK50ZS-S
SRK50ZS-SB
SRK50ZS-ST**



6. RANGE OF USAGE & LIMITATIONS

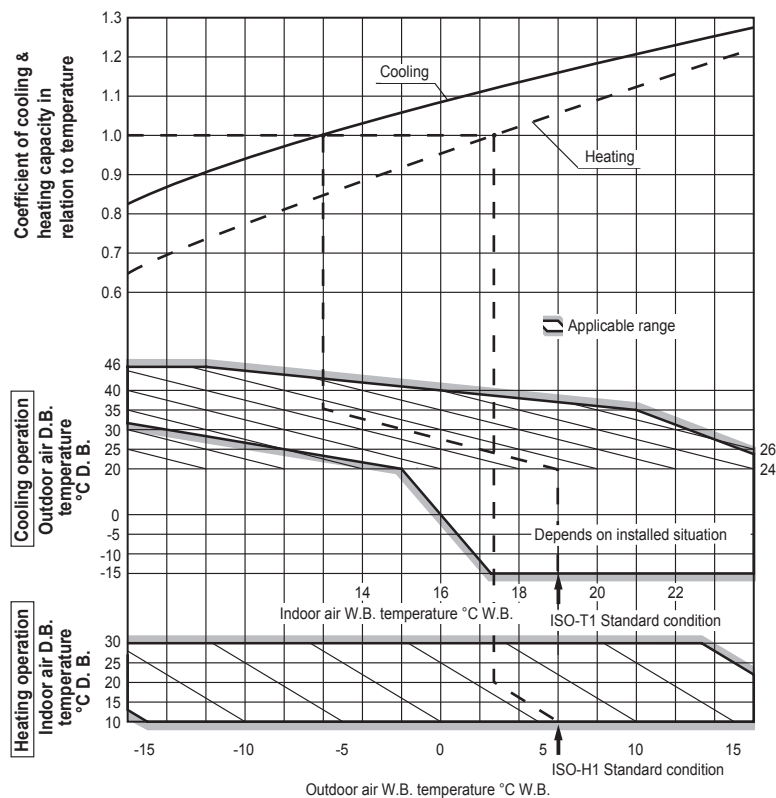
Item	Model	
	SRK20,25,35ZS-S SRK20,25,35ZS-SB SRK20,25,35ZS-ST	SRK50ZS-S SRK50ZS-SB SRK50ZS-ST
Indoor return air temperature (Upper, lower limits)	Cooling operation : Approximately 18 to 32°C D.B. Heating operation : Approximately 10 to 30°C D.B. (Refer to the selection chart)	
Outdoor air temperature (Upper, lower limits)	Cooling operation : Approximately -15 to 46°C D.B. Heating operation : Approximately -15 to 24°C D.B. (Refer to the selection chart)	
Refrigerant line (one way) length	Max. 20m	Max. 25m
Vertical height difference between outdoor unit and indoor unit	Max. 10m (Outdoor unit is higher) Max. 10m (Outdoor unit is lower)	Max. 15m (Outdoor unit is higher) Max. 15m (Outdoor unit is lower)
Power source voltage	Rating ± 10%	
Voltage at starting	Min. 85% of rating	
Frequency of ON-OFF cycle	Max. 4 times/h (Inching prevention 10 minutes)	Max. 7 times/h (Inching prevention 5 minutes)
ON and OFF interval	Min. 3 minutes	

Selection chart

Correct the cooling and heating capacity in accordance with the conditions as follows. The net cooling and heating capacity can be obtained in the following way.

Net capacity = Capacity shown on specification × Correction factors as follows.

(1) Coefficient of cooling and heating capacity in relation to temperatures



(2) Correction of cooling and heating capacity in relation to one way length of refrigerant piping

It is necessary to correct the cooling and heating capacity in relation to the one way piping length between the indoor and outdoor units.

Piping length [m]	7	10	15	20	25
Cooling	1.0	0.99	0.975	0.965	0.95
Heating	1.0	1.0	1.0	1.0	1.0

(3) Correction relative to frosting on outdoor heat exchanger during heating

In additions to the foregoing corrections (1), (2) the heating capacity needs to be adjusted also with respect to the frosting on the outdoor heat exchanger.

Air inlet temperature of outdoor unit in °CWB	-15	-10	-9	-7	-5	-3	-1	1	3	5 or more
Adjustment coefficient	0.95	0.95	0.94	0.93	0.91	0.88	0.86	0.87	0.92	1.00

How to obtain the cooling and heating capacity

Example : The net cooling capacity of the model SRK35ZS-S with the piping length of 15m, indoor wet-bulb temperature at 19.0°C and outdoor dry-bulb temperature 35°C is

$$\text{Net cooling capacity} = \overbrace{3.5}^{\text{SRK35ZS-S}} \times \overbrace{0.975}^{\text{Length 15m}} \times \overbrace{1.0}^{\text{Factor by air temperatures}} = 3.4 \text{ kW}$$

7. CAPACITY TABLES

Models SRK20ZS-S, -SB, -ST

		Cooling mode (kW)													
Air flow	Outdoor air temp.	Indoor air temp.													
		21°CDB		23°CDB		26°CDB		27°CDB		28°CDB		31°CDB		33°CDB	
		14°CWB	16°CWB	18°CWB	19°CWB	20°CWB	22°CWB	24°CWB	TC	SHC	TC	SHC	TC	SHC	TC
Hi 9.3 (m³/min)	10	2.25	2.11	2.36	2.08	2.45	2.19	2.49	2.17	2.53	2.15	2.60	2.25	2.67	2.20
	12	2.21	2.09	2.32	2.06	2.41	2.18	2.45	2.16	2.50	2.14	2.58	2.24	2.65	2.19
	14	2.17	2.06	2.28	2.04	2.38	2.17	2.42	2.15	2.47	2.12	2.55	2.23	2.62	2.18
	16	2.13	2.02	2.24	2.02	2.34	2.15	2.39	2.13	2.43	2.11	2.52	2.22	2.59	2.18
	18	2.08	1.98	2.19	2.01	2.30	2.14	2.35	2.12	2.40	2.10	2.49	2.21	2.56	2.17
	20	2.04	1.94	2.15	1.99	2.26	2.12	2.31	2.10	2.36	2.08	2.45	2.20	2.53	2.16
	22	1.99	1.89	2.10	1.97	2.22	2.10	2.28	2.09	2.32	2.07	2.42	2.19	2.50	2.14
	24	1.94	1.85	2.05	1.95	2.18	2.07	2.24	2.08	2.28	2.06	2.38	2.18	2.47	2.14
	26	1.90	1.80	2.01	1.91	2.14	2.03	2.20	2.06	2.24	2.04	2.35	2.17	2.43	2.13
	28	1.85	1.75	1.96	1.86	2.09	1.99	2.15	2.05	2.20	2.03	2.31	2.15	2.40	2.12
	30	1.79	1.70	1.90	1.81	2.05	1.94	2.11	2.01	2.16	2.01	2.27	2.14	2.36	2.09
	32	1.74	1.65	1.85	1.76	2.00	1.90	2.07	1.96	2.12	2.00	2.23	2.12	2.32	2.08
	34	1.69	1.60	1.80	1.71	1.95	1.85	2.02	1.92	2.07	1.97	2.19	2.08	2.28	2.07
	35	1.66	1.58	1.77	1.68	1.93	1.83	2.00	1.90	2.05	1.94	2.17	2.06	2.26	2.06
	36	1.63	1.55	1.74	1.65	1.90	1.81	1.98	1.88	2.02	1.92	2.15	2.04	2.24	2.05
	38	1.58	1.50	1.68	1.60	1.85	1.76	1.93	1.83	1.98	1.88	2.11	2.00	2.20	2.04
	39	1.55	1.47	1.66	1.57	1.83	1.74	1.91	1.81	1.95	1.85	2.08	1.98	2.18	2.04

		Heating mode (HC) (kW)					
Air flow	Outdoor air temp.	Indoor air temp.					
		16°CDB	18°CDB	20°CDB	22°CDB	24°CDB	
		TC	SHC	TC	SHC	TC	SHC
Hi 10.0 (m³/min)	-15°CWB	1.66	1.63	1.59	1.55	1.52	
	-10°CWB	1.88	1.85	1.82	1.78	1.74	
	-5°CWB	2.04	2.01	1.97	1.94	1.91	
	0°CWB	2.13	2.10	2.07	2.04	2.01	
	5°CWB	2.72	2.69	2.67	2.62	2.58	
	6°CWB	2.76	2.73	2.70	2.67	2.63	
	10°CWB	2.94	2.91	2.89	2.85	2.82	
	15°CWB	3.20	3.17	3.14	3.11	3.08	
20°CWB	3.43	3.41	3.39	3.35	3.32		

Models SRK25ZS-S, -SB, -ST

		Cooling mode (kW)													
Air flow	Outdoor air temp.	Indoor air temp.													
		21°CDB		23°CDB		26°CDB		27°CDB		28°CDB		31°CDB		33°CDB	
		14°CWB	16°CWB	18°CWB	19°CWB	20°CWB	22°CWB	24°CWB	TC	SHC	TC	SHC	TC	SHC	TC
Hi 9.9 (m³/min)	10	2.82	2.50	2.95	2.47	3.06	2.59	3.11	2.56	3.16	2.53	3.26	2.64	3.34	2.58
	12	2.77	2.48	2.90	2.44	3.01	2.57	3.07	2.55	3.12	2.52	3.22	2.63	3.31	2.57
	14	2.71	2.45	2.85	2.42	2.97	2.56	3.03	2.53	3.08	2.50	3.18	2.62	3.28	2.56
	16	2.66	2.43	2.80	2.40	2.92	2.54	2.98	2.51	3.04	2.49	3.15	2.61	3.24	2.55
	18	2.60	2.41	2.74	2.37	2.88	2.52	2.94	2.49	2.99	2.47	3.11	2.60	3.20	2.54
	20	2.55	2.38	2.68	2.35	2.83	2.50	2.89	2.48	2.95	2.45	3.07	2.58	3.17	2.53
	22	2.49	2.35	2.63	2.32	2.78	2.48	2.84	2.46	2.90	2.44	3.02	2.57	3.13	2.51
	24	2.43	2.31	2.57	2.30	2.72	2.46	2.80	2.44	2.85	2.42	2.98	2.55	3.08	2.50
	26	2.37	2.25	2.51	2.26	2.67	2.44	2.74	2.42	2.80	2.40	2.93	2.53	3.04	2.48
	28	2.31	2.19	2.44	2.24	2.61	2.42	2.69	2.40	2.75	2.38	2.89	2.52	3.00	2.47
	30	2.24	2.13	2.38	2.21	2.56	2.39	2.64	2.38	2.70	2.36	2.84	2.50	2.95	2.46
	32	2.18	2.07	2.31	2.19	2.50	2.37	2.58	2.36	2.64	2.34	2.79	2.49	2.90	2.44
	34	2.11	2.00	2.25	2.13	2.44	2.32	2.53	2.34	2.59	2.32	2.74	2.47	2.85	2.43
	35	2.08	1.97	2.21	2.10	2.41	2.29	2.50	2.33	2.56	2.31	2.71	2.46	2.83	2.42
	36	2.04	1.94	2.18	2.07	2.38	2.26	2.47	2.32	2.53	2.30	2.69	2.46	2.80	2.41
	38	1.97	1.87	2.11	2.00	2.32	2.20	2.41	2.29	2.47	2.28	2.63	2.44	2.75	2.40
	39	1.94	1.84	2.07	1.97	2.28	2.17	2.38	2.26	2.44	2.27	2.61	2.42	2.72	2.39

		Heating mode (HC) (kW)					
Air flow	Outdoor air temp.	Indoor air temp.					
		16°CDB	18°CDB	20°CDB	22°CDB	24°CDB	
		TC	SHC	TC	SHC	TC	SHC
Hi 11.3 (m³/min)	-15°CWB	1.97	1.93	1.88	1.84	1.80	
	-10°CWB	2.23	2.19	2.16	2.10	2.06	
	-5°CWB	2.41	2.38	2.33	2.30	2.27	
	0°CWB	2.53	2.49	2.45	2.42	2.38	
	5°CWB	3.22	3.19	3.17	3.10	3.06	
	6°CWB	3.27	3.24	3.20	3.16	3.12	
	10°CWB	3.48	3.45	3.42	3.38	3.34	
	15°CWB	3.79	3.75	3.73	3.69	3.65	
20°CWB	4.07	4.04	4.02	3.97	3.94		

Models SRK35ZS-S, -SB, -ST

		Cooling mode (kW)													
Air flow	Outdoor air temp.	Indoor air temp.													
		21°CDB		23°CDB		26°CDB		27°CDB		28°CDB		31°CDB		33°CDB	
		14°CWB	16°CWB	18°CWB	19°CWB	20°CWB	22°CWB	24°CWB	TC	SHC	TC	SHC	TC	SHC	TC
Hi 11.3 (m³/min)	10	3.94	3.23	4.13	3.18	4.28	3.31	4.35	3.27	4.43	3.23	4.56	3.34	4.68	3.23
	12	3.87	3.20	4.06	3.15	4.22	3.28	4.29	3.25	4.37	3.21	4.51	3.33	4.63	3.22
	14	3.80	3.16	3.99	3.11	4.16	3.26	4.24	3.22	4.31	3.19	4.46	3.31	4.59	3.20
	16	3.72	3.12	3.91	3.08	4.09	3.23	4.18	3.20	4.25	3.16	4.40	3.27	4.54	3.19
	18	3.65	3.08	3.84	3.04	4.03	3.20	4.11	3.17	4.19	3.14	4.35	3.25	4.49	3.17
	20	3.57	3.05	3.76	3.01	3.96	3.17	4.05	3.15	4.13	3.11	4.29	3.24	4.43	3.16
	22	3.49	3.01	3.68	2.97	3.89	3.14	3.98	3.12	4.06	3.09	4.23	3.21	4.38	3.14
	24	3.40	2.97	3.59	2.94	3.81	3.12	3.91	3.09	3.99	3.06	4.17	3.19	4.32	3.12
	26	3.32	2.93	3.51	2.90	3.74	3.08	3.84	3.07	3.92	3.04	4.11	3.17	4.26	3.10
	28	3.23	2.89	3.42	2.86	3.66	3.05	3.77	3.04	3.85	3.01	4.04	3.15	4.20	3.08
	30	3.14	2.85	3.33	2.82	3.58	3.02	3.70	3.00	3.78	2.98	3.98	3.13	4.13	3.06
	32	3.05	2.80	3.24	2.78	3.50	2.99	3.62	2.97	3.70	2.95	3.91	3.11	4.06	3.04
	34	2.95	2.76	3.14	2.74	3.41	2.95	3.54	2.95	3.62	2.92	3.84	3.08	4.00	3.02
	35	2.91	2.74	3.10	2.72	3.37	2.94	3.50	2.93	3.58	2.91	3.80	3.07	3.96	3.01
	36	2.86	2.71	3.05	2.70	3.33	2.92	3.46	2.92	3.54	2.89	3.76	3.06	3.92	3.00
	38	2.76	2.62	2.95	2.64	3.24	2.88	3.38	2.89	3.46	2.86	3.69	3.03	3.85	2.98
	39	2.71	2.57	2.90	2.62	3.20	2.86	3.33	2.86	3.42	2.84	3.65	3.02	3.81	2.97

		Heating mode (HC) (kW)					
Air flow	Outdoor air temp.	Indoor air temp.					
		16°CDB	18°CDB	20°CDB	22°CDB	24°CDB	
		TC	SHC	TC	SHC	TC	SHC
Hi 12.3 (m³/min)	-15°CWB	2.46	2.41	2.35	2.30	2.25	
	-10°CWB	2.79	2.74	2.70	2.63	2.58	
	-5°CWB	3.02	2.97	2.91	2.88	2.83	
	0°CWB	3.16	3.12	3.06	3.02	2.98	
	5°CWB	4.03	3.98	3.96	3.88	3.83	
	6°CWB	4.09	4.04	4.00	3.95	3.90	
	10°CWB	4.35	4.31	4.28	4.22	4.18	
	15°CWB	4.73	4.69	4.66	4.61	4.56	
20°CWB	5.09	5.05	5.02	4.96	4.92		

Models SRK50ZS-S, -SB, -ST

		Cooling mode (kW)													
Air flow	Outdoor air temp.	Indoor air temp.													
		21°CDB		23°CDB		26°CDB		27°CDB		28°CDB		31°CDB		33°CDB	
		14°CWB	16°CWB	18°CWB	19°CWB	20°CWB	22°CWB	24°CWB	TC	SHC	TC	SHC	TC	SHC	TC
Hi 12.1 (m³/min)	10	5.63	4.24	5.90	4.17	6.11	4.29	6.22	4.23	6.32	4.17	6.51	4.27	6.69	4.14
	12	5.53	4.19	5.80	4.12	6.03	4.25	6.14	4.20	6.25	4.14	6.44	4.25	6.62	4.11
	14	5.43	4.14	5.70	4.07	5.94	4.21	6.05	4.16	6.16	4.11	6.37	4.22	6.55	4.09
	16	5.32	4.08	5.59	4.02	5.85	4.17	5.96	4.12	6.08	4.07	6.29	4.19	6.48	4.06
	18	5.21	4.02	5.48	3.97	5.75	4.13	5.88	4.08	5.99	4.03	6.21	4.16	6.41	4.04
	20	5.10	3.96	5.37	3.91	5.65	4.08	5.78	4.04	5.90	4.00	6.13	4.13	6.33	4.01
	22	4.98	3.91	5.25	3.86	5.55	4.04	5.69	4.00	5.80	3.96	6.05	4.10	6.25	3.98
	24	4.86	3.84	5.14	3.80	5.45	3.99	5.59	3.96	5.71	3.92	5.96	4.06	6.17	3.96
	26	4.74	3.78	5.01	3.73	5.34	3.94								

8. APPLICATION DATA

(1) Installation of indoor unit

• This installation manual deals with an indoor unit installation only. For an outdoor unit installation, refer to page 42.

SAFETY PRECAUTIONS

- Before installation, read the "SAFETY PRECAUTIONS" carefully and strictly follow it during the installation work in order to protect yourself.
 - The precautionary items mentioned below are distinguished into two levels, **⚠ WARNING** and **⚠ CAUTION**.
 - ⚠ WARNING** Indicates a potentially hazardous situation which, if not avoided, can result in serious consequences such as death or severe injury.
 - ⚠ CAUTION** Indicates a potentially hazardous situation which, if not avoided, can result in personal injury or property damage.
- Both mention the important items to protect your health and safety. Therefore, strictly follow them by any means.

RLF012A100

Model SRK20,25,35,50
R410A REFRIGERANT USED

- Be sure to confirm no operation problem on the equipment after completing the installation. If unusual noise can be heard during the test run, consult the dealer.
- Be sure to explain the operating methods as well as the maintenance methods of this equipment to the user according to the user's manual.
- Be sure to keep the installation manual together with user's manual at a place where it is easily accessible to the user any time. Moreover, ask the user to hand the manuals to a new user, whenever required.

⚠ WARNING

- **Be sure to use only for residential purpose.**
If this unit is installed in interior environment such as machine shop, vehicle (like ship), warehouse, etc., it can malfunction.
- **Installation must be carried out by the qualified installer completely in accordance with the installation manual.**
Installation by non-qualified person or incorrect installation can cause serious troubles such as water leak, electric shock, fire and personal injury.
- **Be sure to wear protective goggles and gloves while performing installation work.**
Improper safety measures can result in personal injury.
- **Use the original accessories and the specified components for the installation.**
Using parts other than those prescribed may cause water leak, electric shock, fire and personal injury.
- **Do not install the unit near the location where leakage of flammable gases can occur.**
If leaked gases accumulate around the unit, it can cause fire resulting in property damage and personal injury.
- **When installing the unit in small rooms, make sure that refrigerant density does not exceed the limit (Reference: ISO5149) in the event of leakage.**
If refrigerant density exceeds the limit, consult the dealer and install the ventilation system. Otherwise lack of oxygen can occur resulting in serious accident.
- **Install the unit in a location where unit will remain stable, horizontal and free of any vibration transmission.**
Unstable installation location can cause the unit to fall resulting in material damage and personal injury.
- **Do not run the unit with removed panels or protections.**
Touching rotating equipments, hot surfaces or high voltage parts can cause personal injury due to entrapment, burn or electric shock.
- **This unit is designed specifically for R410A.**
Using any other refrigerant can cause unit failure and personal injury.
- **Do not vent R410A into atmosphere.**
R410A is a fluorinated greenhouse gas with a Global Warming Potential(GWP)=2088.
- **Make sure that no air enters the refrigerant circuit when the unit is installed and removed.**
If air enters the refrigerant circuit, the pressure in the refrigerant circuit will become too high, which can cause burst and personal injury.
- **Be sure to use the prescribed pipes, flare nuts and tools for R410A.**
Using existing parts (for R22 or R407C) can cause refrigerant circuit burst resulting in unit failure and personal injury.
- **Be sure to connect both liquid and gas connecting pipes properly before operating the compressor.**
Do not open the liquid and gas service valves before completing piping work, and evacuation.
If the compressor is operated when connecting pipes are not connected and service valves are open, air can be sucked into the refrigerant circuit which can cause anomalous high pressure resulting in burst or personal injury.
- **Be sure to tighten the flare nuts to specified torque using the torque wrench.**
Tightening flare nuts with excess torque can cause burst and refrigerant leakage after a long period.
- **During pump down work, be sure to stop the compressor before closing service valves and removing connecting pipes.**
If the connecting pipes are removed when the compressor is in operation and service valves are open, air can be sucked into the refrigerant circuit which can cause anomalous high pressure resulting in burst or personal injury.
- **In the event of refrigerant leakage during installation, be sure to ventilate the working area properly.**
If the refrigerant comes into contact with naked flames, poisonous gases will be produced.
- **Electrical work must be carried out by the qualified electrician, strictly in accordance with national or regional electricity regulations.**
Incorrect installation can cause electric shock, fire or personal injury.
- **Make sure that earth leakage breaker and circuit breaker of appropriate capacities are installed.**
Circuit breaker should be able to disconnect all poles under over current. Absence of appropriate breakers can cause electric shock, personal injury or property damage.
- **Be sure to switch off the power source in the event of installation, maintenance or service.**
If the power source is not switched off, there is a risk of electric shock, unit failure or personal injury.
- **Be sure to tighten the cables securely in terminal block and relieve the cables properly to prevent overloading the terminal blocks.**
Loose connections or cable mountings can cause anomalous heat production or fire.
- **Do not process, splice or modify the power cable, or share the socket with other power plugs.**
Improper power cable or power plug can cause fire or electric shock due to poor connection, insufficient insulation or over-current.
- **Do not perform any change in protective device or its setup condition yourself.**
Changing protective device specifications can cause electric shock, fire or burst.
- **Be sure to clamp the cables properly so that they do not touch any internal component of the unit.**
If cables touch any internal component, it can cause overheating and fire.
- **Be sure to install service cover properly.**
Improper installation can cause electric shock or fire due to intrusion of dust or water.
- **Be sure to use the prescribed power and connecting cables for electrical work.**
Using improper cables can cause electric leak, anomalous heat production or fire.
- **This appliance must be connected to main power source by means of a circuit breaker or switch with a contact separation of at least 3mm.**
Improper electrical work can cause unit failure or personal injury.
- **When plugging this unit, a plug conforming to the norm IEC60884-1 must be used.**
Using improper plug can cause electric shock or fire.
- **Be sure to connect the power source cable with power source properly.**
Improper connection can cause intrusion of dust or water resulting in electric shock or fire.

CAUTION

- **Take care when carrying the unit by hand.**
If the unit weight is more than 20kg, it must be carried by two or more persons. Do not carry the unit by the plastic straps. Always use the carry handle.
- **Do not install the outdoor unit in a location where insects and small animals can inhabit.**
Insects and small animals can enter the electrical parts and cause damage resulting in fire or personal injury. Instruct the user to keep the surroundings clean.
- **If the outdoor unit is installed at height, make sure that there is enough space for installation, maintenance and service.**
Insufficient space can result in personal injury due to falling from the height.
- **Do not install the unit near the location where neighbours are bothered by noise or air generating from the unit.**
It can affect surrounding environment and cause a claim.
- **Do not install in the locations where unit is directly exposed to corrosive gases (like sulphide gas, chloride gas), sea breeze or salty atmosphere.**
- **Do not install the unit close to the equipments that generate electromagnetic waves and/or high-harmonic waves.**
Equipment such as inverters, standby generators, medical high frequency equipments and telecommunication equipments can affect the system, and cause malfunctions and breakdowns. The system can also affect medical equipment and telecommunication equipment, and obstruct its function or cause jamming.
- **Do not install the unit in the locations where:**
 - There are heat sources nearby.
 - Unit is directly exposed to rain or sunlight.
 - There is any obstacle which can prevent smooth air circulation from inlet and outlet side of the unit.
 - Unit is directly exposed to oil mist and steam such as kitchen.
 - Chemical substances like ammonia (organic fertilizer), calcium chloride (snow melting agent) and acid (sulfurous acid etc.), which can harm the unit, will generate or accumulate.
 - Drain water can not be discharged properly.
 - TV set or radio receiver is placed within 1m.
 - Height above sea level is more than 1000m.
- **Dispose of all packing materials properly.**
Packing materials contain nails and wood which can cause personal injury. Keep the polybag away from children to avoid the risk of suffocation.
- **Do not put anything on the outdoor unit.**
Object may fall causing property damage or personal injury.
- **Do not touch the aluminum fin of the outdoor unit.**
Aluminium fin temperature is high during heating operation. Touching fin can cause burn.
- **Do not touch any refrigerant pipe with your hands when the system is in operation.**
During operation the refrigerant pipes become extremely hot or extremely cold depending on the operating condition. Touching pipes can cause personal injury like burn (hot/cold).
- **Install isolator or disconnect switch on the power source wiring in accordance with the local codes and regulations.**
The isolator should be locked in OFF state in accordance with EN60204-1.

1. ACCESSORIES AND TOOLS

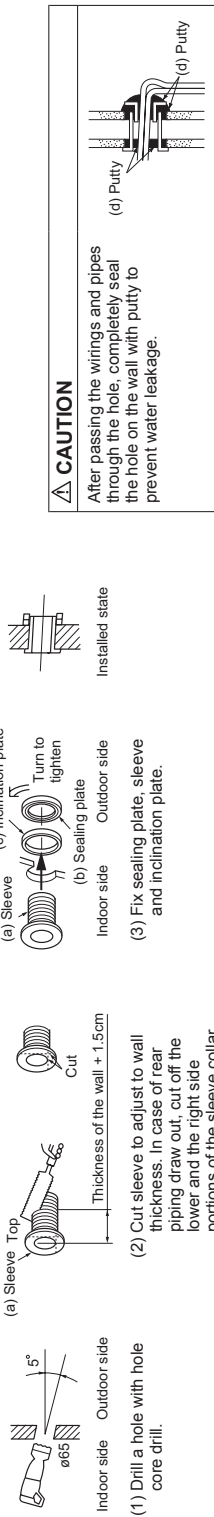
Standard accessories (supplied with indoor unit)		Tools for installation Work	
(1) Installation board	1pc	Plus headed driver	Hole core drill (65mm in diameter)
(2) Wireless remote control	1pc	Knife	Wrench key (Hexagon) [4m/m]
(3) Remote control holder	1pc	Saw	Flaring tool set*
(4) Tapping screws (for installation board ø4 X 25mm)	5pcs	Tape measure	Gas leak detector*
(5) Wood screws (for remote control holder ø3.5 X 16mm)	2pcs	Torque wrench (14.0-62.0N.m (1.4-6.2kgf.m))	Pipe bender
		Plier	Gauge for projection adjustment (Used when flare is made by using conventional flare tool)
		Pipe cutter	

* Designed specifically for R410A

Locally procured parts	
(a) Sleeve (1pc)	
(b) Sealing plate (1pc)	
(c) Inclination plate (1pc)	
(d) Putty	
(e) Connecting wire	
(f) Drain hose (extension hose)	
(g) Piping cover (for insulation of connection piping)	
(h) Clamp and screw (for finishing work)	
(i) Plastic tape	

4. DRILLING HOLE AND FIXTURE OF SLEEVE

When drilling the wall that contains a metal lath, wire lath or metal plate, be sure to use sealing plate, sleeve and inclination plate (Locally procured parts).



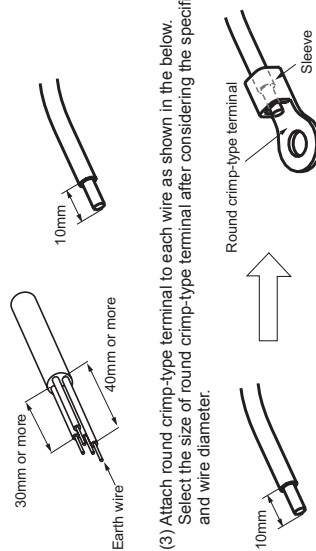
5. ELECTRICAL WIRING WORK

- Before installation, make sure that the power source complies with the air-conditioner's power specification.
- Carry out electrical wiring work according to following guidelines.

1. Preparing cable

- (1) Selecting cable
Select the connecting cable in accordance with the specifications mentioned below.
4-core * 1.5mm² conformed with 60245 (IEC57 (CENELEC H05RN-F)
* 1 Earth wire is included (Yellow/Green).

- (2) Arrange each wire length as shown below.
Make sure that each wire is stripped 10mm from the end.
<Connecting cable>

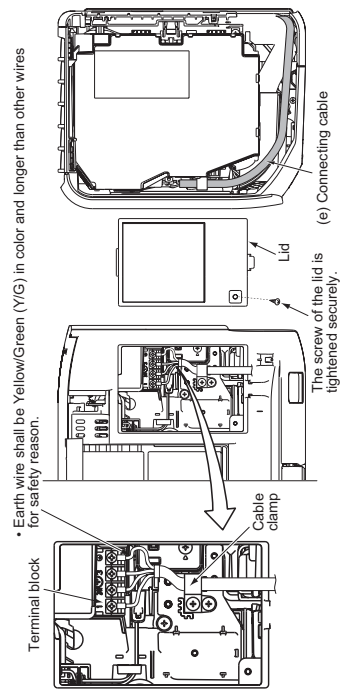


2. Connecting cable

- (1) Open the air inlet panel.
- (2) Remove the lid.
- (3) Remove the cable clamp.
- (4) Connect the connecting wires to the terminal block.
- (5) Fix the connecting cable by cable clamp.
- (6) Fix the lid.
- (7) Close the air inlet panel.

NOTE

Take care not to confuse the terminal numbers for indoor and outdoor connections.



CAUTION

Incorrect wiring connection can cause malfunction or fire.

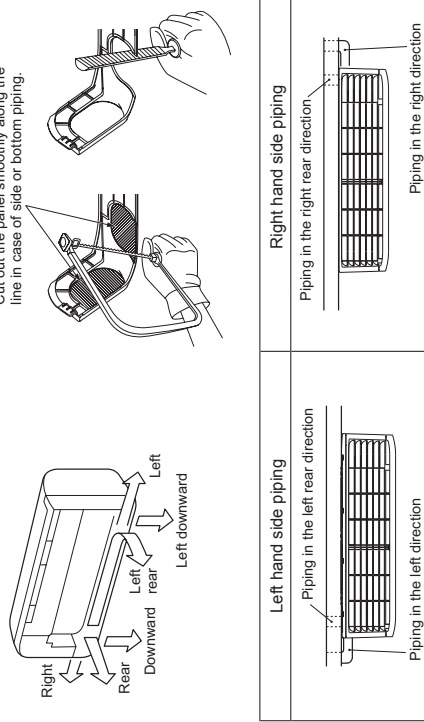
6. FORMING PIPING AND DRAIN HOSE

1. Forming piping

Piping is possible in the right, rear, downward, left, left rear or left downward direction.

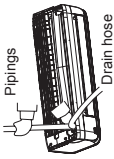
NOTE

Sufficient care must be taken not to damage the panels when connecting pipes.



Forming of pipings.

- Hold the bottom of the piping and fix direction before stretching it and shaping it.



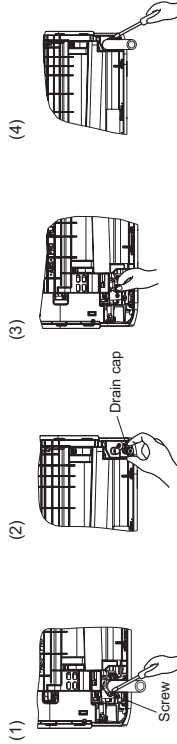
Taping of the exterior

- Tape only the portion that goes through the wall.
- Always tape the wiring with the piping.



2. Drain change procedures

- (1) Remove the screw and drain hose.
- (2) Remove the drain cap by hand or pliers.
- (3) Insert the drain cap which was removed at procedure (2) securely using a hexagonal wrench etc.
- (4) Install the drain hose and screw securely.

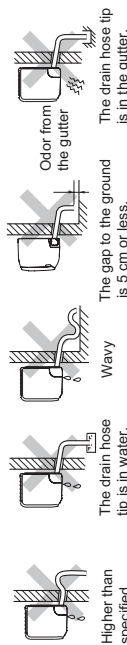


CAUTION

Incorrect installation of drain hose and cap can cause water leakage.

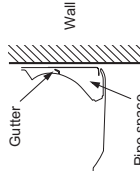
7. DRAINAGE WORK

- Arrange the drain hose in a downward angle.
- Avoid the following drain piping.



- Pour water to the drain pan located under the heat exchanger, and ensure that the water is discharged outdoor.
- When extended drain hose is present inside the room, insulate it securely with heat insulator available in the market.

Since this air-conditioner is designed to collect dew drops on the rear surface to the drain pan, do not install the connecting wire above the gutter.

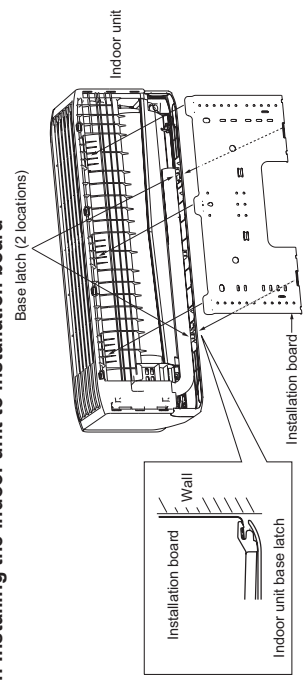


CAUTION

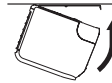
Incorrect drainage work can cause water leakage.

8. INSTALLING INDOOR UNIT

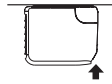
1. Installing the indoor unit to installation board



- (1) Pass the pipe through the hole in the wall, and hook the upper part of the indoor unit to the installation board.

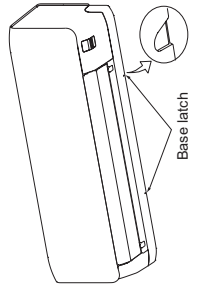


- (2) Gently push the lower part to fix the indoor unit base lower latch to installation board.



2. Removing the indoor unit from installation board

- (1) Push up at the marked portion of the indoor unit base latch, and slightly pull it toward you (both right and left hand sides). (The indoor unit base latch can be removed from the installation board.)
- (2) Push up the indoor unit upward so that it can be removed from installation board.



9. CONNECTING PIPING WORK

1. Preparation of connecting pipe

1.1. Selecting connecting pipe
Select connecting pipe according to the following table.

	Model SRK20/25/35	Model SRK50
Gas pipe	ø9.52	ø12.7
Liquid pipe	ø6.35	ø6.35

- Pipe wall thickness must be greater than or equal to 0.8 mm.
- Pipe material must be O-type (Phosphorus deoxidized seamless copper pipe ICS 23.040.15, ICS 77.150.30).

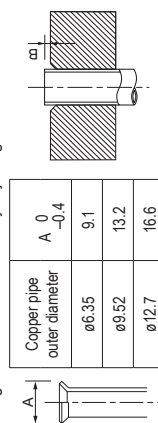
1.2. Cutting connecting pipe

- (1) Cut the connecting pipe to the required length with pipe cutter.
- (2) Hold the pipe downward and remove the burrs.
- (3) Cover the connecting pipe ends with the tape.

2. Piping work

2.1. Flaring pipe

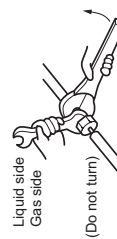
- (1) Take out flare nuts from the service valves of indoor unit and engage them onto connecting pipes.
 - (2) Flare the pipes according to table and figure shown below.
- Flare dimensions for R410A are different from those for conventional refrigerant. Although it is recommended to use the flaring tools designed specifically for R410A, conventional flaring tools can also be used by adjusting the measurement of protrusion B with a flare adjustment gauge.



2.2 Connecting pipes

- (1) Connect pipes on both liquid and gas sides.
- (2) Tighten nuts to specified torque shown in the table below.

Service valve size (mm)	Tightening torque (N·m)
ø6.35 (1/4")	14-18
ø9.52 (3/8")	34-42
ø12.7 (1/2")	49-61

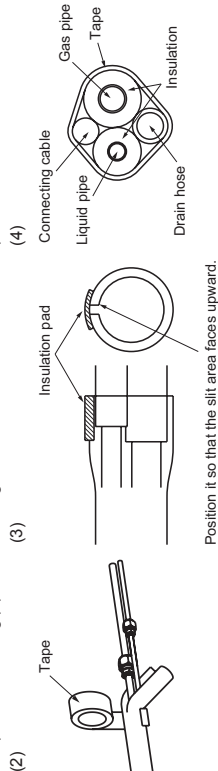


⚠ CAUTION

- Do not apply refrigerating machine oil to the flared surface. It can cause refrigerant leakage.
- Do not apply excess torque to the flared nuts. The flared nuts may crack resulting in refrigerant leakage.

3. Heating and condensation prevention

- (1) Dress the connecting pipes (both liquid and gas pipes) with insulation to prevent it from heating and dew condensation.
Use the heat insulating material which can withstand 120°C or higher temperature. Make sure that insulation is wrapped tightly around the pipes and no gap is left between them.
- (2) Wrap the refrigerant pipings of indoor unit with indoor unit heat insulation using tape.
- (3) Cover the flare-connected joints (indoor side) with the indoor unit heat insulation and wrap it with an insulation pad (standard accessory provided with indoor unit).
- (4) Wrap the connecting pipes, connecting cable and drain hose with the tape.



Position it so that the slit area faces upward.

NOTE

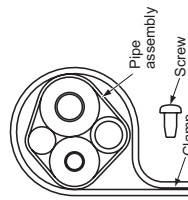
Locations where relative humidity exceeds 70%, both liquid and gas pipes need to be dressed with 20mm or thicker heat insulation materials.

⚠ CAUTION

- Improper insulation can cause condensate(water) formation during cooling operation. Condensate can leak or drip causing damage to household property.
- Poor heat insulating capacity can cause pipe outer surface to reach high temperature during heating operation. It can cause cable deterioration and personal injury.

4. Finishing work

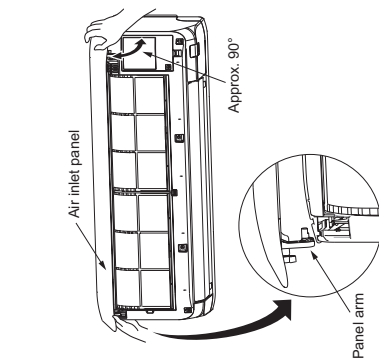
- (1) Make sure that the exterior portion of connecting pipes, connecting cable and drain hose is wrapped properly with tape. Shape the connecting pipes to match with the contours of the pipe assembly route.
- (2) Fix the pipe assembly with the wall using clamps and screws. Pipe assembly should be anchored every 1.5m or less to isolate the vibration.
- (3) Install the service cover securely. Water may enter the unit if service cover is not installed properly, resulting in unit malfunction and failure.



⚠ CAUTION

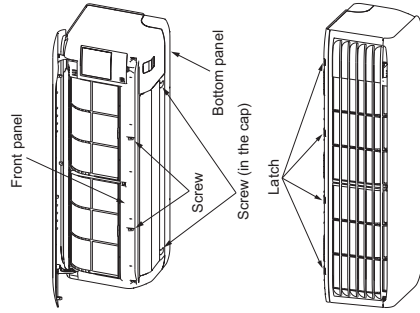
Make sure that the connecting pipes do not touch the components within the unit. If pipes touch the internal components, it may generate abnormal sounds and/or vibrations.

10. HOW TO OPEN, CLOSE, REMOVE AND INSTALL THE AIR INLET PANEL



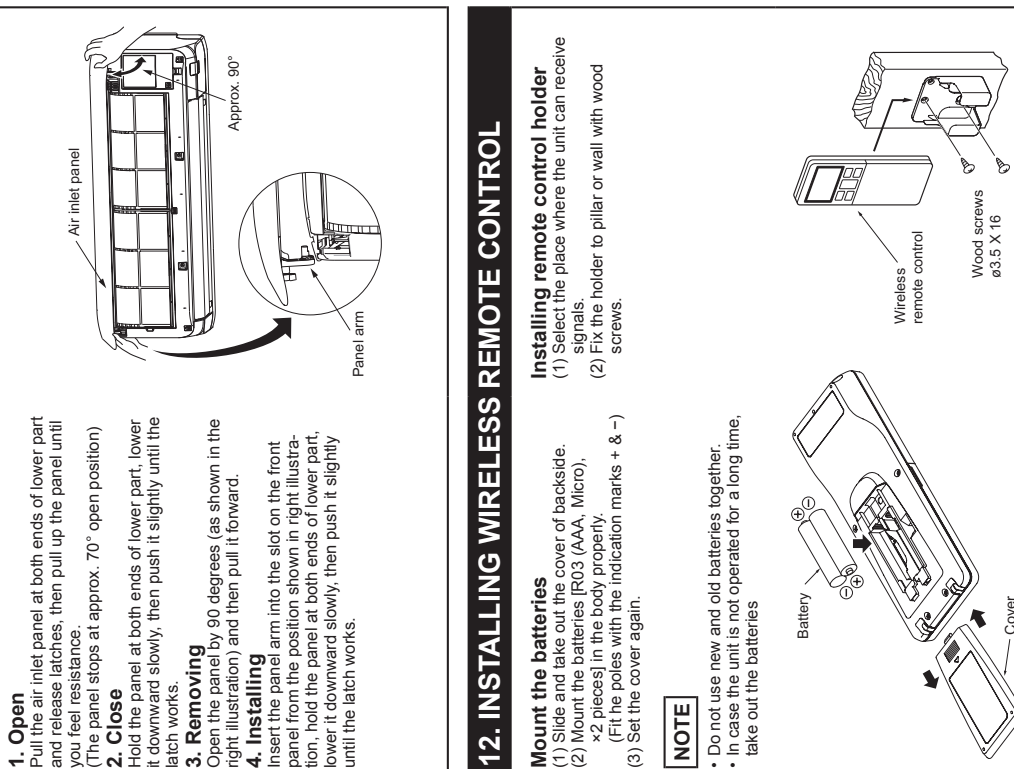
- 1. Open**
Pull the air inlet panel at both ends of lower part and release latches, then pull up the panel until you feel resistance.
(The panel stops at approx. 70° open position)
- 2. Close**
Hold the panel at both ends of lower part, lower it downward slowly, then push it slightly until the latch works.
- 3. Removing**
Open the panel by 90 degrees (as shown in the right illustration) and then pull it forward.
- 4. Installing**
Insert the panel arm into the slot on the front panel from the position shown in right illustration, hold the panel at both ends of lower part, lower it downward slowly, then push it slightly until the latch works.

11. HOW TO REMOVE AND INSTALL THE BOTTOM AND FRONT PANEL



- 1. Bottom panel**
 - 1.1. Removing**
 - (1) Remove the 2 screws (in the cap)
 - (2) Remove the 2 hooks of left and right side and then bottom panel can be removed.
 - 1.2. Installing**
 - (1) Install the 2 hooks of left and right side
 - (2) Secure the bottom panel with the 2 screws (in the cap).
- 2. Front panel**
 - 2.1. Removing**
 - (1) Remove the air inlet panel, the air filters and the bottom panel.
 - (2) Remove the 2 screws.
 - (3) Remove the 4 upper latches and then front panel can be removed.
 - 2.2. Installing**
 - (1) Cover the unit with the front panel and fix 4 upper latches.
 - (2) Secure the front panel with the 2 screws.
 - (3) Install the bottom panel, the air inlet panel and the air filters.

12. INSTALLING WIRELESS REMOTE CONTROL

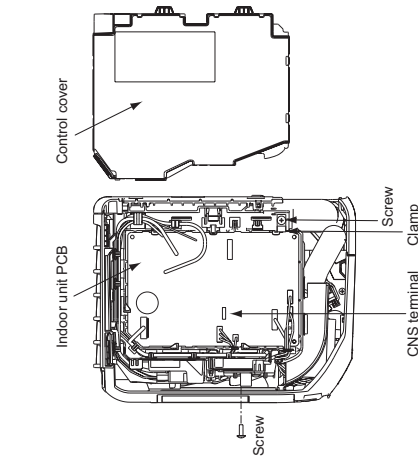


- Installing remote control holder**
 - (1) Select the place where the unit can receive signals.
 - (2) Fix the holder to pillar or wall with wood screws.

NOTE

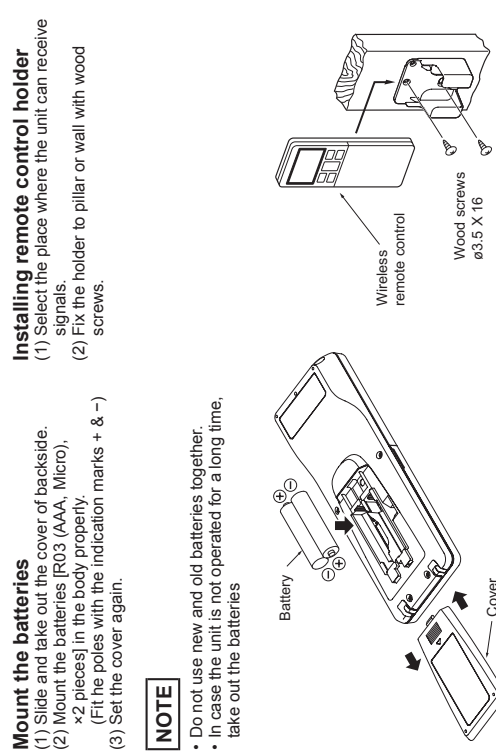
- Do not use new and old batteries together.
- In case the unit is not operated for a long time, take out the batteries

13. TERMINAL CONNECTION FOR AN INTERFACE



- To install wired remote control, superlink etc., interface kit is needed.
- (1) Remove the air inlet panel, bottom panel and front panel.
 - (2) Remove the control cover.
 - (3) There is a terminal (respectively marked with CNS) for the indoor control board. While connecting an interface, connect to the respective terminal securely with the connection harness supplied with an optional "interface connection kit SC-BIKN-E" and fasten the connection harness onto the indoor control box with the clamp and screw supplied with the kit.
For more details, refer to the user's manual of "interface connection kit SC-BIKN-E".

13. INSTALLING WIRELESS REMOTE CONTROL



- Mount the batteries**
 - (1) Slide and take out the cover of backside.
 - (2) Mount the batteries [R03 (AAA, Micro), x2 pieces] in the body properly.
(Fit the poles with the indication marks + & -)
 - (3) Set the cover again.

NOTE

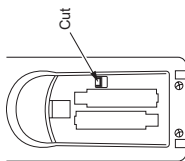
- Do not use new and old batteries together.
- In case the unit is not operated for a long time, take out the batteries

14. INSTALLING TWO AIR-CONDITIONERS IN THE SAME ROOM

In case two air-conditioners are installed in the same room, apply this setting so that one unit can be operated with only one wireless remote control.

Setting one wireless remote control

- (1) Slide and take out the cover and batteries.
- (2) Cut the switching line next to the battery with wire cutters.
- (3) Set the batteries and cover again.

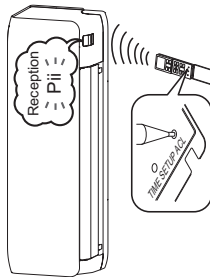


Setting one indoor unit

- (1) Turn off the power source and turn it on after 1 minute.
- (2) Send the signal by pressing the ACL switch on the wireless remote control that was set according to the procedure described on the left side.
- (3) Check that the reception buzzer sound "Pii" is emitted from the indoor unit. Since the signal is sent about 6 seconds after the ACL switch is pressed, point the wireless remote control to the indoor unit for a while.

NOTE

If no reception buzzer is emitted, restart the setting from the beginning.



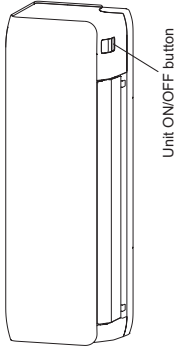
15. PUMP DOWN WORK

For the environmental protection, be sure to pump down when relocating or disposing of the unit. Pump down is the method of recovering refrigerant from the indoor unit to the outdoor unit before the connecting pipes are removed from the unit. When pump down is carried out, forced cooling operation is needed.

Forced cooling operation

- (1) Turn off the power source and turn it on again after 1 minute.
- (2) Press the ON/OFF button continuously for at least 5 seconds. Then operation will start.

For the detail of pump down, refer to the installation manual of outdoor unit.



16. INSTALLATION CHECK AND TEST RUN

After finishing the installation work, check the following points again before turning on the power. Conduct a test run and ensure that the unit operates properly. At the same time, explain to the customer how to use the unit and how to take care of the unit following the user's manual.

Before test run

Before test run, check following points.

Power source voltage complies with the rated voltage of air-conditioner.	
Earth leakage breaker and circuit breaker are installed.	
Power cable and connecting cable are securely fixed to the terminal block.	
Both liquid and gas service valves are fully open.	
No gas leaks from the joints of the service valves.	
Indoor and outdoor side pipe joints have been insulated.	
Hole on the wall is completely sealed with putty.	
Drain hose and cap are installed properly.	
Screw of the lid is tightened securely.	

Test run

Check following points during test run.

Indoor unit receives signal of wireless remote control.	
Air-conditioning operation is normal.	
There is no abnormal noise.	
Water drains out smoothly.	
Display of wireless remote control is normal.	

NOTE

During restart or change in operation mode, the unit will not start operating for approximately 3 minutes. This is to protect the unit and it is not malfunction.

After test run

Explain the operating and maintenance methods to the user according to the user's manual.	
Keep this installation manual together with user's manual.	

(2) Installation of outdoor unit

RWC012A047A

Model SRC20,25,35,50
R410A REFRIGERANT USED

• This installation manual deals with an outdoor unit installation only. For an indoor unit installation, refer to page 34.

SAFETY PRECAUTIONS



- Before installation, read the "SAFETY PRECAUTIONS" carefully and strictly follow it during the installation work in order to protect yourself.
 - The precautionary items mentioned below are distinguished into two levels, **WARNING** and **CAUTION**.
 - WARNING** Indicates a potentially hazardous situation which, if not avoided, can result in serious consequences such as death or severe injury.
 - CAUTION** Indicates a potentially hazardous situation which, if not avoided, can result in personal injury or property damage.
- Both mention the important items to protect your health and safety. Therefore, strictly follow them by any means.

⚠ WARNING

- **Be sure to use only for residential purpose.**
If this unit is installed in inferior environment such as machine shop, vehicle (like ship), warehouse, etc., it can malfunction.
- **Installation must be carried out by the qualified installer completely in accordance with the installation manual.**
Installation by non qualified person or incorrect installation can cause serious troubles such as water leak, electric shock, fire and personal injury.
- **Be sure to wear protective goggles and gloves while performing installation work.**
Improper safety measures can result in personal injury.
- **Use the original accessories and the specified components for the installation.**
Using parts other than those prescribed may cause water leak, electric shock, fire and personal injury.
- **Do not install the unit near the location where leakage of flammable gases can occur.**
If leaked gases accumulate around the unit, it can cause fire resulting in property damage and personal injury.
- **When installing the unit in small rooms, make sure that refrigerant density does not exceed the limit (Reference: ISO5149) in the event of leakage.**
If refrigerant density exceeds the limit, consult the dealer and install the ventilation system. Otherwise lack of oxygen can occur resulting in serious accident.
- **Install the unit in a location where unit will remain stable, horizontal and free of any vibration transmission.**
Unsuitable installation location can cause the unit to fall resulting in material damage and personal injury.
- **Do not run the unit with removed panels or protections.**
Touching rotating equipments, hot surfaces or high voltage parts can cause personal injury due to entrapment, burn or electric shock.
- **This unit is designed specifically for R410A.**
Using any other refrigerant can cause unit failure and personal injury.
- **Do not vent R410A into atmosphere.**
R410A is a fluorinated greenhouse gas with a Global Warming Potential(GWP)=2088.
- **Make sure that no air enters the refrigerant circuit when the unit is installed and removed.**
If air enters the refrigerant circuit, the pressure in the refrigerant circuit will become too high, which can cause burst and personal injury.
- **Be sure to use the prescribed pipes, flare nuts and tools for R410A.**
Using existing parts (for R22 or R407C) can cause refrigerant circuit burst resulting in unit failure and personal injury.
- **Be sure to connect both liquid and gas connecting pipes properly before operating the compressor.**
Do not open the liquid and gas operation valves before completing piping work, and evacuation.
If the compressor is operated when connecting pipes are not connected and operation valves are open, air can be sucked into the refrigerant circuit which can cause anomalous high pressure resulting in burst or personal injury.
- **Be sure to tighten the flare nuts to specified torque using the torque wrench.**
Tightening flare nuts with excess torque can cause burst and refrigerant leakage after a long period.
- **During pump down work, be sure to stop the compressor before closing operation valves and removing connecting pipes.**
If the connecting pipes are removed when the compressor is in operation and operation valves are open, air can be sucked into the refrigerant circuit which can cause anomalous high pressure resulting in burst or personal injury.
- **In the event of refrigerant leakage during installation, be sure to ventilate the working area properly.**
If the refrigerant comes into contact with naked flames, poisonous gases will be produced.
- **Electrical work must be carried out by the qualified electrician, strictly in accordance with national or regional electricity regulations.**
Incorrect installation can cause electric shock, fire or personal injury.
- **Make sure that earth leakage breaker and circuit breaker of appropriate capacities are installed.**
Circuit breaker should be able to disconnect all poles under over current. Absence of appropriate breakers can cause electric shock, personal injury or property damage.
- **Be sure to switch off the power source in the event of installation, maintenance or service.**
If the power source is not switched off, there is a risk of electric shock, unit failure or personal injury.
- **Be sure to tighten the cables securely in terminal block and relieve the cables properly to prevent overloading the terminal blocks.**
Loose connections or cable mountings can cause anomalous heat production or fire.
- **Do not process, splice or modify the power cable, or share the socket with other power plugs.**
Improper power cable or power plug can cause fire or electric shock due to poor connection, insufficient insulation or over-current.
- **Do not perform any change in protective device or its setup condition yourself.**
Changing protective device specifications can cause electric shock, fire or burst.
- **Be sure to clamp the cables properly so that they do not touch any internal component of the unit.**
If cables touch any internal component, it can cause overheating and fire.
- **Be sure to install service cover properly.**
Improper installation can cause electric shock or fire due to intrusion of dust or water.
- **Be sure to use the prescribed power and connecting cables for electrical work.**
Using improper cables can cause electric leak, anomalous heat production or fire.
- **This appliance must be connected to main power source by means of a circuit breaker or switch with a contact separation of at least 3mm.**
Improper electrical work can cause unit failure or personal injury.
- **When plugging this unit, a plug conforming to the norm IEC60884-1 must be used.**
Using improper plug can cause electric shock or fire.
- **Be sure to connect the power source cable with power source properly.**
Improper connection can cause intrusion of dust or water resulting in electric shock or fire.

⚠ CAUTION

- **Take care when carrying the unit by hand.**
If the unit weight is more than 20kg, it must be carried by two or more persons.
Do not carry the unit by the plastic straps. Always use the carry handle.
- **Do not install the outdoor unit in a location where insects and small animals can inhabit.**
Insects and small animals can enter the electrical parts and cause damage resulting in fire or personal injury. Instruct the user to keep the surroundings clean.
- **If the outdoor unit is installed at height, make sure that there is enough space for installation, maintenance and service.**
Insufficient space can result in personal injury due to falling from the height.
- **Do not install the unit near the location where neighbours are bothered by noise or air generating from the unit.**
It can affect surrounding environment and cause a claim.
- **Do not install in the locations where unit is directly exposed to corrosive gases (like sulphide gas, chloride gas), sea breeze or salty atmosphere.**
It can cause corrosion of heat exchanger and damage to plastic parts.
- **Do not install the unit close to the equipments that generate electromagnetic waves and/or high-harmonic waves.**
Equipment such as inverters, standby generators, medical high frequency equipments and telecommunication equipments can affect the system, and cause malfunctions and breakdowns.
The system can also affect medical equipment and telecommunication equipment, and obstruct its function or cause jamming.
- **Do not install the unit in the locations where:**
 - There are heat sources nearby.
 - Unit is directly exposed to rain or sunlight.
 - There is any obstacle which can prevent smooth air circulation from inlet and outlet side of the unit.
 - Unit is directly exposed to oil mist and steam such as kitchen.
 - Chemical substances like ammonia (organic fertilizer), calcium chloride (snow melting agent) and acid (sulfurous acid etc.), which can harm the unit, will generate or accumulate.
 - Drain water can not be discharged properly.
 - TV set or radio receiver is placed within 1m.
 - Height above sea level is more than 1000m.
 It can cause performance degradation, corrosion and damage of components, unit malfunction and fire.
- **Dispose of all packing materials properly.**
Packing materials contain nails and wood which can cause personal injury.
Keep the polybag away from children to avoid the risk of suffocation.
- **Do not put anything on the outdoor unit.**
Object may fall causing property damage or personal injury.
- **Do not touch the aluminum fin of the outdoor unit.**
Aluminium fin temperature is high during heating operation. Touching fin can cause burn.
- **Do not touch any refrigerant pipe with your hands when the system is in operation.**
During operation the refrigerant pipes become extremely hot or extremely cold depending on the operating condition. Touching pipes can cause personal injury like burn (hot/cold).
- **Install isolator or disconnect switch on the power source wiring in accordance with the local codes and regulations.**
The isolator should be locked in OFF state in accordance with EN60204-1.

1. ACCESSORIES AND TOOLS			
Standard accessories (Supplied with outdoor unit)		Q'ty	Locally procured parts
(1)	Drain grommet 	1	(a) Anchor bolt(M10-M12)×4 pcs
(2)	Drain elbow 	1	(b) Putty
			(c) Electrical tape
			(d) Connecting pipe
			(e) Connecting cable
			(f) Power cable
			(g) Clamp and screw (for finishing work)
			Tools for installation work
			Plus headed driver
			Spanner wrench
			Knife
			Torque wrench [14.0-62.0N/m(1.4-6.2kgf·m)]
			Saw
			Wrench key (Hexagon) [4m/m]
			Tape measure
			Flaring tool set *
			Pipe cutter
			Flare adjustment gauge
			Vacuum pump*
			Gauge manifold *
			Charge hose *
			Vacuum pump adapter* (Anti-reverse flow type)
			Gas leak detector *

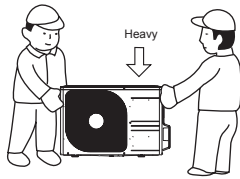
*Designed specifically for R410A

2. OUTDOOR UNIT INSTALLATION

1. Haulage

- Always carry or move the unit with two or more persons.
- The right hand side of the unit as viewed from the front (outlet side) is heavier.

A person carrying the right hand side must take care of this fact. A person carrying the left hand side must hold the handle provided on the front panel of the unit with his right hand and the corner column section of the unit with his left hand.



CAUTION

When a unit is hauled, take care of its gravity center position which is shifted towards right hand side. If the unit is not hauled properly, it can go off balance and fall resulting in serious injury.

2. Selecting the installation location

Select the suitable installation location where:

- Unit will be stable, horizontal and free of any vibration transmission.
- There is no obstacle which can prevent smooth air circulation from inlet and outlet side of the unit.
- There is enough space for service and maintenance of unit.
- Neighbours are not bothered by noise or air generating from the unit.
- Outlet air of the unit does not blow directly to animals or plants.
- Drain water can be discharged properly.
- There is no risk of flammable gas leakage.
- There are no other heat sources nearby.
- Unit is not directly exposed to rain or sunlight.
- Unit is not directly exposed to oil mist and steam.
- Chemical substances like ammonia (organic fertilizer), calcium chloride (snow melting agent) and acid (sulfurous acid etc.), which can harm the unit, will not generate or accumulate.
- Unit is not directly exposed to corrosive gases (like sulphide gas, chloride gas), sea breeze or salty atmosphere.
- No TV set or radio receiver is placed within 1m.
- Unit is not affected by electromagnetic waves and/or high-harmonic waves generated by other equipments.
- Strong wind does not blow against the unit outlet.
- Heavy snowfalls do not occur (If installed, provide proper protection to avoid snow accumulation).

NOTE

If the unit is installed in the area where there is a possibility of strong wind or snow accumulation, the following measures are required.

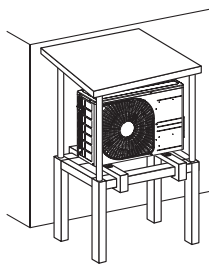
(1) Location of strong wind

- Place the unit with its outlet side facing the wall.
- Place the unit such that the direction of air from the outlet gets perpendicular to the wind direction.



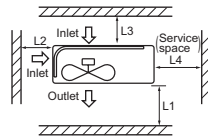
(2) Location of snow accumulation

- Install the unit on the base so that the bottom is higher than snow cover surface.
- Install the unit under eaves or provide the roof on site.



3. Installation space

- There must be 1 meter or larger space between the unit and the wall in at least 1 of the 4 sides. Walls surrounding the unit from 4 sides is not acceptable. The wall height on the outlet side should be 1200 mm or less. Refer to the following figure and table for details.



	Installation space (mm)
L1	280 or more
L2	100 or more
L3	80 or more
L4	250 or more

NOTE

When more than one unit are installed side by side, provide a 250mm or wider interval between them as a service space.

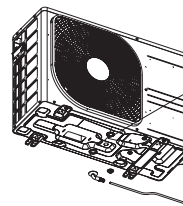
CAUTION

When more than one unit are installed in parallel directions, provide sufficient inlet space so that short-circuiting may not occur.

4. Drain piping work (If necessary)

Carry out drain piping work by using a drain elbow and a drain grommet supplied separately as accessories if condensed water needs to be drained out.

- Install drain elbow and drain grommet.
- Seal around the drain elbow and drain grommet with putty or adequate caulking material.



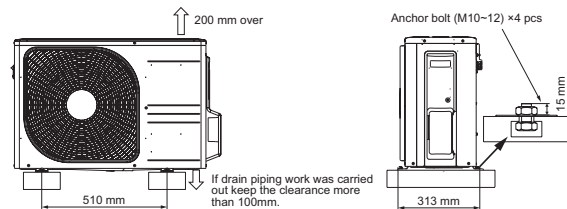
Do not put a grommet on this hole. This is a supplementary drain hole to discharge drain water, when a large amount of it is gathered.

CAUTION

Do not use drain elbow and drain grommet if there is a possibility to have several consecutive days of sub zero temperature. (There is a risk of drain water freezing inside and blocking the drain.)

5. Installation

- Install the unit on a flat level base.
- While installing the unit, keep space and fix the unit's legs with 4 anchor bolts as shown in the figure below. The protrusion of an anchor bolt from the foundation surface must be kept within 15mm.



CAUTION

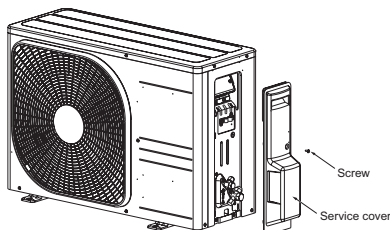
- Install the unit properly so that it does not fall over during earthquake, strong wind, etc.
- Make sure that unit is installed on a flat level base. Installing unit on uneven base may result in unit malfunction.

3. PREPARATION FOR WORK

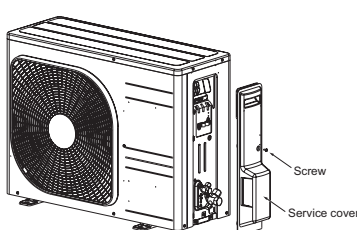
1. Removing service cover

Remove the screw. Slide service cover downwards and remove it.

<SRC20/25/35>



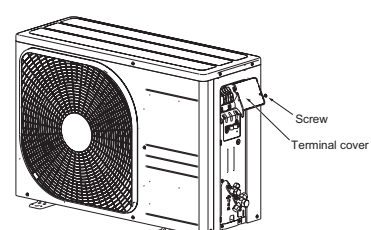
<SRC50>



2. Removing terminal cover

Remove the screw and take out terminal cover.

(For SRC50, terminal cover is attached to service cover. Therefore, there is no need to remove terminal cover separately.)

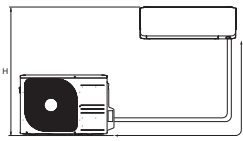


4. CONNECTING PIPING WORK

1. Restrictions on unit installation

Abide by the following restrictions on unit installation. Improper installation can cause compressor failure or performance degradation.

	Dimensional restrictions	
	Model SRC20/25/35	Model SRC50
Connecting pipe length(L)	20m or less	25m or less
Elevation difference between indoor and outdoor units(H)*	10m or less	15m or less



* Outdoor unit installation position can be higher as well as lower than the indoor unit installation position.

2. Preparation of connecting pipe

2.1. Selecting connecting pipe

Select connecting pipe according to the following table.

	Model SRC20/25/35	Model SRC50
Gas pipe	ø9.52	ø12.7
Liquid pipe	ø6.35	ø6.35

- Pipe wall thickness must be greater than or equal to 0.8 mm.
- Pipe material must be O-type (Phosphorus deoxidized seamless copper pipe ICS 23.040.15, ICS 77.150.30).

NOTE

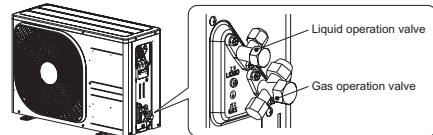
If it is required to reuse the existing connecting pipe system, refer to 5. UTILIZATION OF EXISTING PIPE.

2.2. Cutting connecting pipe

- (1) Cut the connecting pipe to the required length with pipe cutter.
- (2) Hold the pipe downward and remove the burrs. Make sure that no foreign material enters the pipe.
- (3) Cover the connecting pipe ends with the tape.

3. Piping work

Check that both liquid and gas operation valves are fully closed. Carry out the piping work with operation valves fully closed.



3.1. Flaring pipe

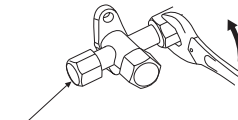
- (1) Take out flare nuts from the operation valves of outdoor unit and engage them onto connecting pipes.
- (2) Flare the pipes according to table and figure shown below. Flare dimensions for R410A are different from those for conventional refrigerant. Although it is recommended to use the flaring tools designed specifically for R410A, conventional flaring tools can also be used by adjusting the measurement of protrusion B with a flare adjustment gauge.

Copper pipe outer diameter	A	B	Rigid (clutch) type	
			R410A	Conventional
ø6.35	9.1		0-0.5	1.0-1.5
ø9.52	13.2			
ø12.7	16.6			

3.2. Connecting pipes

- (1) Connect pipes on both liquid and gas sides.
- (2) Tighten nuts to specified torque shown in the table below.

Operation valve size (mm)	Tightening torque (N·m)
ø6.35 (1/4")	14-18
ø9.52 (3/8")	34-42
ø12.7 (1/2")	49-61



Do not hold the valve cap area with a spanner

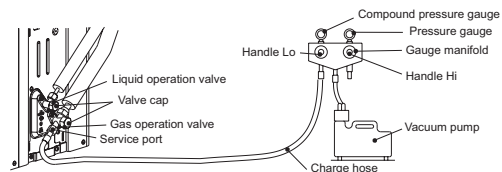
CAUTION

- Do not apply refrigerating machine oil to the flared surface. It can cause refrigerant leakage.
- Do not apply excess torque to the flared nuts. The flared nuts may crack resulting in refrigerant leakage.

4. Evacuation

- (1) Connect vacuum pump to gauge manifold. Connect charge hose of gauge manifold to service port of outdoor unit.
- (2) Run the vacuum pump for at least one hour after the vacuum gauge shows -0.1MPa (-76cm Hg).
- (3) Confirm that the vacuum gauge indicator does not rise even if the system is left for 15 minutes or more. Vacuum gauge indicator will rise if the system has moisture left inside or has a leakage point. Check the system for the leakage point. If leakage point is found, repair it and return to (1) again.
- (4) Close the Handle Lo and stop the vacuum pump. Keep this state for a few minutes to make sure that the compound pressure gauge pointer does not swing back.
- (5) Remove valve caps from liquid operation valve and gas operation valve. Using soapy water, check for gas leakage from indoor unit's flare and outdoor unit's flare and valve rods. Wipe off all the water after completing the check.
- (7) Disconnect charging hose from gas operation valve's service port and fully open liquid and gas operation valves. (Do not attempt to turn valve rod beyond its stop.)
- (8) Tighten operation valve caps and service port cap to the specified torque shown in the table below.

Operation valve size (mm)	Operation valve cap tightening torque (N·m)	Service port cap tightening torque (N·m)
ø6.35 (1/4")	20-30	10-12
ø9.52 (3/8")		
ø12.7 (1/2")	25-35	



CAUTION

- To prevent the entering of different oil into the refrigeration system, do not use tools designed for any other refrigerant type (R22, R407C, etc.).
- To prevent vacuum pump oil from entering into the refrigeration system, use a counterflow prevention adapter.

5. Additional refrigerant charge

Additional refrigerant charge is required only when connecting pipe length exceeds 15 m.

5.1 Calculating additional refrigerant charge

Additional refrigerant charge can be calculated using the formula given below.
Additional refrigerant charge (g) = { Connecting pipe length (m) - Factory charged length 15 (m) } x 20 (g/m)

NOTE

- If additional refrigerant charge calculation result is negative, there is no need to remove the refrigerant.
- If refrigerant recharge is required for the unit with connecting pipe length 15m or shorter, charge the factory charged volume as shown in the table below.

	Model SRC20/25	Model SRC35	Model SRC50
Factory charged volume(kg)	0.75	0.95	1.25

5.2 Charging refrigerant

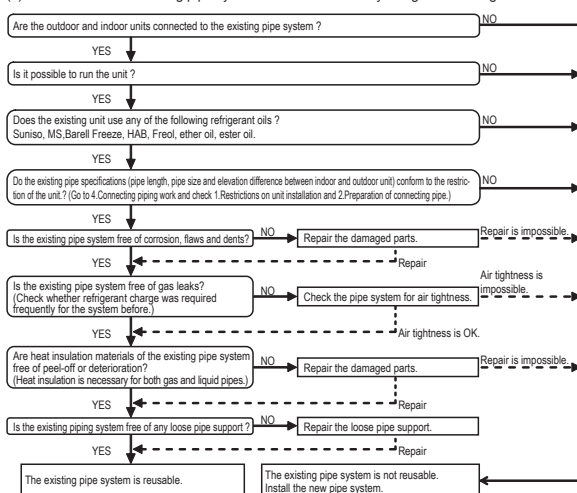
- (1) Charge the R410A refrigerant in liquid phase from service port with both liquid and gas operation valves shut. Since R410A refrigerant must be charged in the liquid phase, make sure that refrigerant is discharged from the cylinder in the liquid phase all the time.
- (2) When it is difficult to charge a required refrigerant volume, fully open both liquid and gas operation valves and charge refrigerant, while running the unit in the cooling mode. When refrigerant is charged with the unit being run, complete the charge operation within 30 minutes.
- (3) Write the additional refrigerant charge calculated from the connecting pipe length on the label attached on the service cover.

CAUTION

Running the unit with an insufficient quantity of refrigerant for a long time can cause unit malfunction.

5. UTILIZATION OF EXISTING PIPE

- (1) Check whether an existing pipe system is reusable or not by using the following flow chart.



NOTE

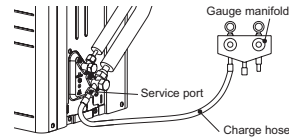
- Consult with our distributor in the area, if you need to recover refrigerant and charge it again.
- (2) Clean the existing pipe system according to the procedure given below.
 - (a) Carry out forced cooling operation of existing unit for 30 minutes. For 'Forced cooling operation' refer to the indoor unit installation manual.
 - (b) Stop the indoor fan and carry out forced cooling operation for 3 minutes (Liquid return).
 - (c) Close the liquid operation valve of the outdoor unit and carry out pump down operation (Refer to 6. PUMP DOWN).
 - (d) Blow with nitrogen gas. If discolored refrigeration oil or any foreign matter is discharged by the blow, wash the pipe system or install a new pipe system.
- (3) Remove the flare nuts from the existing pipe system. Go back to 4.Connecting Piping work and proceed to step 2.2 Cutting connecting pipe.

CAUTION

Do not use the old flare nuts (of existing unit). Make sure that the flare nuts supplied with the (new) outdoor unit are used.

6. PUMP DOWN

- (1) Connect charge hose of gauge manifold to service port of outdoor unit.
- (2) Close the liquid operation valve with hexagonal wrench key.
- (3) Fully open the gas operation valve with hexagonal wrench key.
- (4) Carry out forced cooling operation (For forced cooling operation procedure, refer to indoor unit installation manual).
- (5) When the low pressure gauge becomes 0.01MPa, close the gas operation valve and stop forced cooling operation.



7. ELECTRICAL WIRING WORK

⚠ WARNING

- Make sure that all the electrical work is carried out in accordance with the national or regional electrical standards.
- Make sure that the earth leakage breaker and circuit breaker of appropriate capacities are installed. (Refer to the table given below).
- Do not turn on the power until the electrical work is completed.
- Do not use a condensative capacitor for power factor improvement under any circumstances. (It does not improve power factor. Moreover, it can cause an abnormal overheat accident).

Breaker specifications

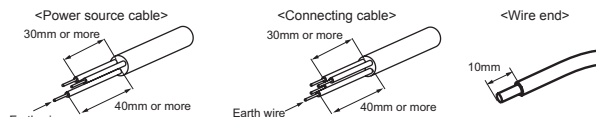
Model	Phase	Earth leakage breaker	Circuit breaker
SRC20/25/35	Single phase	Leakage current: 30mA, 0.1sec or less	Over current: 16A
SRC50			Over current: 20A

Main fuse specification

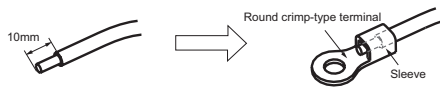
Model	Specification	Parts No.	Code on LABEL, WIRING
SRC20/25/35	250V 15A	SSA564A136	F7
SRC50	250V 20A	SSA564A136A	F4

1.Preparing cable

- (1) Selecting cable
 - Select the power source cable and connecting cable in accordance with the specifications mentioned below.
 - (a) Power source cable
 - 3-core* 2.5mm² or more, conformed with 60245 IEC57
 - When selecting the power source cable length, make sure that voltage drop is less than 2%. If the wire length gets longer, increase the wire diameter.
 - (b) Connecting cable
 - 4-core* 1.5mm², conformed with 60245 IEC57
 - * 1 Earth wire is included (Yellow/Green).
- (2) Arrange each wire length as shown below.
 - Make sure that each wire is stripped 10mm from the end.



- (3) Attach round crimp-type terminal to each wire as shown in the below.
 - Select the size of round crimp-type terminal after considering the specifications of terminal block and wire diameter.



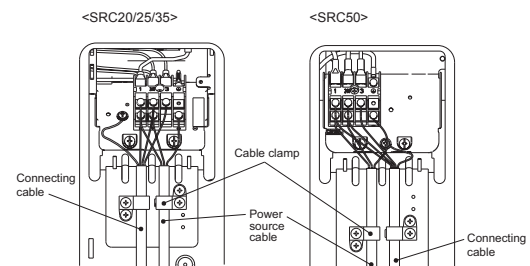
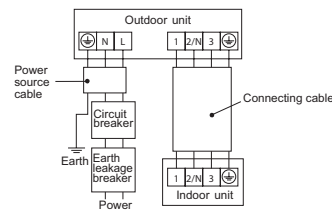
⚠ CAUTION

Power source cable and connecting cable must conform to the specifications mentioned in the manual. Using cables with wrong specifications may result in unit malfunction.

2.Connecting cable

- (1) Remove the service cover.
- (2) Connect the cables according to the instructions and figures given below.
 - (a) Connect the earth wire of power source cable.
 - An earth wire must be connected before connecting the other wires of power source cable. Keep the earth wire longer than the remaining two wires of power source cable.
 - (b) Connect the remaining two wires (N and L) of power source cable.
 - (c) Connect the wires of connecting cable. Make sure that for each wire, outdoor and indoor side terminal numbers match.
- (3) Fasten the cables properly with cable clamps so that no external force may work on terminal connections.
 - Moreover, make sure that cables do not touch the piping, etc. When cables are connected, make sure that all electrical components within the electrical component box are free of loose connector coupling or terminal connection.

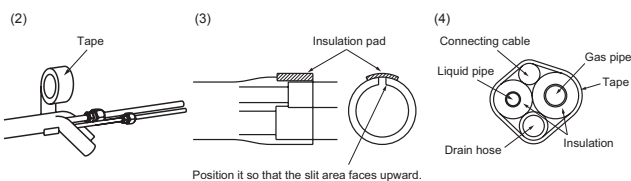
<Circuit diagram>



8. FINISHING WORK

1. Heating and condensation prevention

- (1) Dress the connecting pipes (both liquid and gas pipes) with insulation to prevent it from heating and dew condensation.
 - Use the heat insulating material which can withstand 120°C or higher temperature. Make sure that insulation is wrapped tightly around the pipes and no gap is left between them.
- (2) Wrap the refrigerant pipings of indoor unit with indoor unit heat insulation using tape.
- (3) Cover the flare-connected joints (indoor side) with the indoor unit heat insulation and wrap it with an insulation pad (standard accessory provided with indoor unit).
- (4) Wrap the connecting pipes, connecting cable and drain hose with the tape.



NOTE

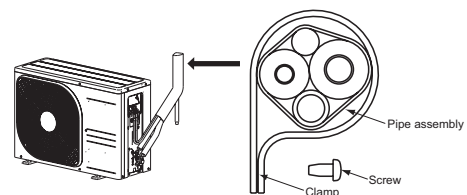
Locations where relative humidity exceeds 70%, both liquid and gas pipes need to be dressed with 20mm or thicker heat insulation materials.

⚠ CAUTION

- Improper insulation can cause condensate(water) formation during cooling operation. Condensate can leak or drip causing damage to household property.
- Poor heat insulating capacity can cause pipe outer surface to reach high temperature during heating operation. It can cause cable deterioration and personal injury.

2.Finishing work

- (1) Make sure that the exterior portion of connecting pipes, connecting cable and drain hose is wrapped properly with tape. Shape the connecting pipes to match with the contours of the pipe assembly route.
- (2) Fix the pipe assembly with the wall using clamps and screws. Pipe assembly should be anchored every 1.5m or less to isolate the vibration.
- (3) Install the service cover securely. Water may enter the unit if service cover is not installed properly, resulting in unit malfunction and failure.



⚠ CAUTION

Make sure that the connecting pipes do not touch the components within the unit. If pipes touch the internal components, it may generate abnormal sounds and/or vibrations.

9. INSTALLATION TEST CHECK POINTS

After finishing the installation work, check the following points again before turning on the power. Conduct test run (Refer to indoor unit installation manual) and ensure that the unit operates properly.

Power source voltage complies with the rated voltage of air-conditioner.	
Earth leakage breaker and circuit breaker are installed.	
Power cable and connecting cable are securely fixed to the terminal block.	
Both liquid and gas operation valves are fully open.	

No gas leaks from the joints of the operation valves.	
Indoor and outdoor side pipe joints have been insulated.	
Drain hose (if installed) is fixed properly.	
Screw of the service cover is tightened properly.	

9. OUTLINE OF OPERATION CONTROL BY MICROCOMPUTER

(1) Operation control function by wireless remote control

Operation section

OPERATION MODE select button

Each time the button is pressed, the mode changes.

TEMPERATURE button

This button sets the room temperature.

HI/ECO button

This button changes the HIGH POWER/ECONOMY operation.

AIR FLOW (LEFT/RIGHT) button

This button changes the airflow (left/right) direction.

SILENT button

This button sets the SILENT operation.

ALLERGEN CLEAR button

This button selects ALLERGEN CLEAR operation.

ON TIMER button

This button selects ON TIMER operation.

OFF TIMER button

This button selects OFF TIMER operation.

WEEKLY button

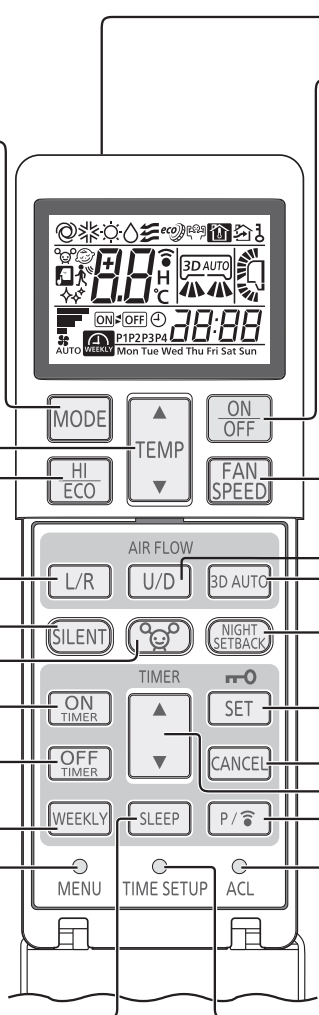
This button switches the WEEKLY TIMER to ON/OFF.

MENU switch

This switch selects the CLEAN operation, display brightness adjustment and PRESET operation.

SLEEP button

This button selects SLEEP operation.



Transmission section

ON/OFF (luminous) button

Press to start operation, press again to stop.

FAN SPEED button

Each time the button is pressed, the fan speed changes.

AIR FLOW (UP/DOWN) button

This button changes the airflow (up/down) direction.

3D AUTO button

This button sets 3D AUTO operation.

NIGHT SETBACK button

This button sets NIGHT SETBACK operation.

SET/Child lock button

Use this button to set the timer and Child lock.

CANCEL button

This button cancels the ON timer, OFF timer, and SLEEP operation.

TIMER button

This button is used for setting the current time and timer function.

PROGRAM button

This button sets WEEKLY TIMER.

ACL switch

This switch resets the program to default state.

TIME SET UP switch

This switch is used for setting the time.

[View with the cover opened]

The above illustration shows all controls, but in practice only the relevant parts are shown.

Unit display section

RUN light (green)

- Illuminates during operation.
- Blinks slowly when CLEAN operation (3 seconds ON, 1 second OFF).
- Blinks when airflow is stopped to prevent blowing out of cold air in heating operation. (1.5 seconds ON, 0.5 seconds OFF)

Wireless remote control signal receiver

Unit ON/OFF button

This button can be used for turning on/off the unit when a remote control is not available.

TIMER light (yellow)

Illuminates during TIMER operation.

• RUN and TIMER lights blink quickly during invalid operation mode.

(2) Unit ON/OFF button

When the wireless remote control batteries become weak, or if the wireless remote control is lost or malfunctioning, this button may be used to turn the unit on and off.

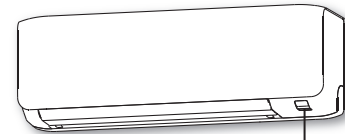
(a) Operation

Push the button once to place the unit in the automatic mode. Push it once more to turn the unit off.

(b) Details of operation

The unit will go into the automatic mode in which it automatically determines, from room temperature (as detected by sensor), whether to go into the COOL or HEAT modes.

Function Operation mode	Room temperature setting	Fan speed	Flap/Louver	Timer switch
COOL	About 24°C	Auto	Auto	Continuous
HEAT	About 26°C			

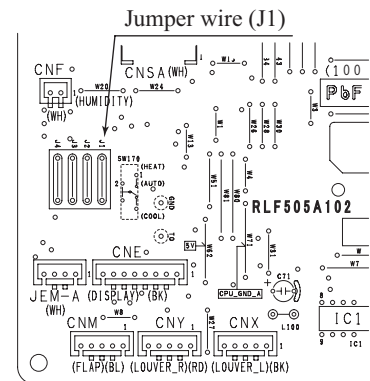


Unit ON/OFF button

(3) Auto restart function

- (a) Auto restart function records the operational status of the air-conditioner immediately prior to be switched off by a power cut, and then automatically resumes operations after the power has been restored.
- (b) The following settings will be cancelled:
 - (i) Timer settings
 - (ii) HIGH POWER operation

- Notes
- (1) Auto restart function is set at on when the air-conditioner is shipped from the factory. Consult with your dealer if this function needs to be switched off.
 - (2) When power failure occurs, the timer setting is cancelled. Once power is resumed, reset the timer.
 - (3) If the jumper wire (J1) "AUTO RESTART" is cut, auto restart is disabled. (See the diagram at right)

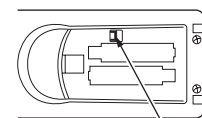


(4) Installing two air-conditioners in the same room

In case two air-conditioners are installed in the same room, apply this setting so that one unit can be operated with only one remote control.

(a) Setting the wireless remote control

- (i) Slide the cover and take out the batteries.
- (ii) Disconnect the switching line next to the battery with wire cutters.
- (iii) Set the batteries and cover again.

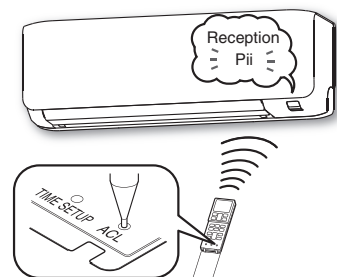


Disconnect

(b) Setting an indoor unit

- (i) Turn off the power source, and turn it on after 1 minute.
- (ii) Point the wireless remote control (that was set according to the procedure described on the left side) at the indoor unit and send a signal by pressing the ACL switch on the wireless remote control.

Since the signal is sent in about 6 seconds after the ACL switch is pressed, point the wireless remote control at the indoor unit for some time.
- (iii) Check that the reception buzzer sound "Pii" is emitted from the indoor unit. At completion of the setting, the indoor unit emits a buzzer sound "Pii". (If no reception sound is emitted, start the setting from the beginning again.)



(5) Selection of the annual cooling function

- (a) The annual cooling function is enabled or disabled by means of the jumper wire (J3) on the indoor unit PCB and the dip switch (SW2-4) on the interface kit (option) PCB.

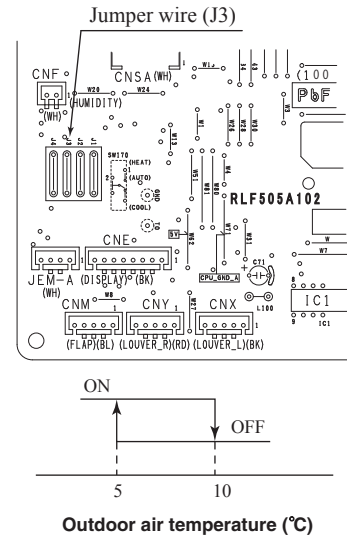
Jumper wire (J3)	Interface kit (SC-BIKN-E) SW2-4	Function
Shorted	ON	Enabled
Shorted	OFF	Disabled
Open	ON	Disabled
Open	OFF	Disabled

Note: (1) Default states of the jumper wire (J3) and the interface kit at the shipping from factory –On the PCB, the dip switch (SW2-4) is set to enable the annual cooling function.

(2) To cancel the annual cooling setting, consult your dealer.

(b) Content of control

- (i) If the outdoor air temperature sensor (TH2) detects below 5°C, the indoor unit speed is switched to 7th step.
- (ii) If the outdoor air temperature sensor (TH2) detects higher than 10°C, the indoor unit speed is changed to the normal control speed.

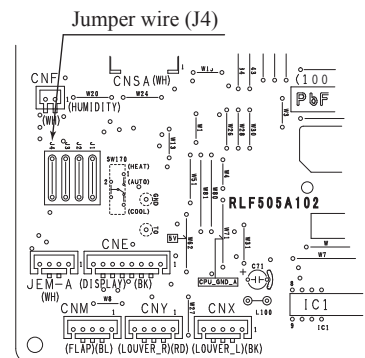


(6) Heating only function

- (a) Heating only function is enabled by disconnecting the jumper wire (J4).

(b) Content of control

Operation mode setting	Operation mode
COOL/DRY/FAN	FAN
AUTO/HEAT	HEAT



(7) High power operation

Pressing the HI POWER/ECONOMY button intensifies the operating power and initiates powerful cooling and heating operation for 15 minutes continuously. The wireless remote control displays HIGH POWER mark and the FAN SPEED display disappears.

- (a) During the HIGH POWER operation, the room temperature is not controlled. When it causes an excessive cooling and heating, press the HI POWER/ECONOMY button again to cancel the HIGH POWER operation.
- (b) HIGH POWER operation is not available during the DRY and the ON timer to OFF timer operations.
- (c) When HIGH POWER operation is set after ON timer operation, HIGH POWER operation will start from the set time.
- (d) When the following operation are set, HIGH POWER operation will be cancelled.
 - ① When the HI POWER/ECONOMY button is pressed again.
 - ② When the operation mode is changed.
 - ③ When it has been 15 minutes since HIGH POWER operation has started.
 - ④ When the 3D AUTO button is pressed.
 - ⑤ When the SILENT button is pressed.
 - ⑥ When the NIGHT SETBACK button is pressed.
- (e) Not operable while the air-conditioner is OFF.
- (f) After HIGH POWER operation, the sound of refrigerant flowing may be heard.

(8) Economy operation

Pressing the HI POWER/ECONOMY button initiates a soft operation with the power suppressed in order to avoid an excessive cooling or heating. The unit operate 1.5°C higher than the setting temperature during cooling or 2.5°C lower than that during heating. The wireless remote control displays ECONOMY mark and the FAN SPEED display disappears.

- (a) It will go into ECONOMY operation at the next time the air-conditioner runs in the following cases.
 - ① When the air-conditioner is stopped by ON/OFF button during ECONOMY operation.
 - ② When the air-conditioner is stopped in SLEEP or OFF TIMER operation during ECONOMY operation.
 - ③ When the operation is retrieved from CLEAN or ALLERGEN CLEAR operation.
- (b) When the following operation are set, ECONOMY operation will be cancelled.
 - ① When the HI POWER/ECONOMY button is pressed again.
 - ② When the operation mode is changed from DRY to FAN.
 - ③ When the NIGHT SETBACK button is pressed.
- (c) Not operable while the air-conditioner is OFF.
- (d) The setting temperature is adjusted according to the following table.


Item \ Mode	Cooling	Heating
Temperature adjustment	① +0.5	① -1.0
	② +1.0	② -2.0
	③ +1.5	③ -2.5

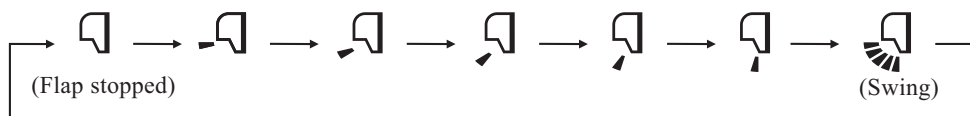
- ① at the start of operation.
- ② one hour after the start of operation.
- ③ two hours after the start of operation.

(9) Air flow direction adjustment






Air flow direction can be adjusted with by AIR FLOW  (UP/DOWN) and  (LEFT/RIGHT) button on the wireless remote control.

(a) Flap

Every time when you press the AIR FLOW  (UP/DOWN) button the mode changes as follows.

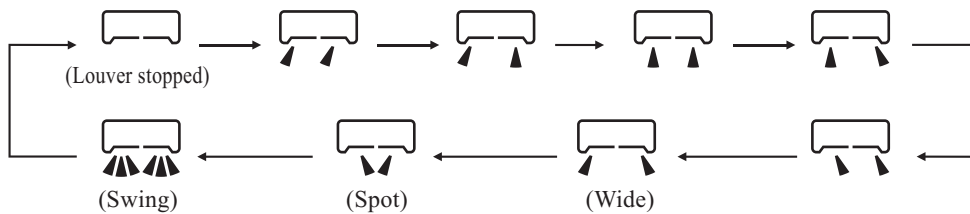


• Angle of flap from horizontal






Wireless remote control display					
COOL, DRY, FAN	Approx. 25°	Approx. 30°	Approx. 40°	Approx. 50°	Approx. 60°
HEAT	Approx. 25°	Approx. 35°	Approx. 50°	Approx. 60°	Approx. 70°

(b) Louver

Every time when you press the AIR FLOW  (LEFT/RIGHT) button the mode changes as follows.



• Angle of louver

Wireless remote control display					
Center installation	Left approx. 50°	Left approx. 20°	Center	Right approx. 20°	Right approx. 50°
Right end installation	Left approx. 50°	Left approx. 45°	Left approx. 30°	Center	Right approx. 20°
Left end installation	Left approx. 20°	Center	Right approx. 30°	Right approx. 45°	Right approx. 50°

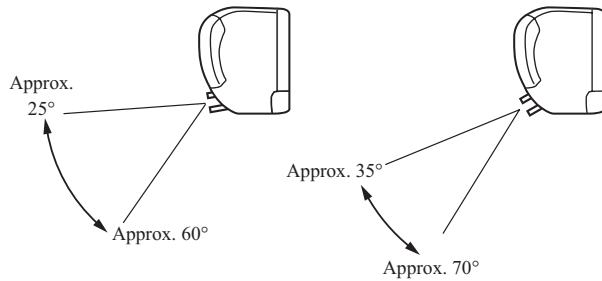
(c) Swing

(i) Swing flap

Flap moves in upward and downward directions continuously.

◆ In COOL, DRY, FAN operation

◆ In HEAT operation



(ii) Swing louver

Louver moves in left and right directions continuously.



(d) Memory flap (Flap or louver stopped)

When you press the AIR FLOW (UP/DOWN or LEFT/RIGHT) button once while the flap or louver is operating, it stops swinging at the position. Since this angle is memorized in the microcomputer, the flap or louver will automatically be set at this angle when the next operation is started.

(10) 3D auto operation

Control the flap and louver by 3D AUTO button on the wireless remote control.

Fan speed and air flow direction are automatically controlled, allowing the entire indoor to efficiently conditioned.

(a) During cooling and heating (Including auto cooling and heating)

(i) Air flow selection is determined according to indoor temperature and setting temperature.

Operation mode	Air flow selection				
	AUTO		HI	MED	LO
Cooling	Room temp. – Setting temp. >5°C	Room temp. – Setting temp. ≤ 5°C	HI	MED	LO
	HIGH POWER	AUTO			
Heating	Setting temp. – Room temp. >5°C	Setting temp. – Room temp. ≤ 5°C	HI	MED	LO
	HIGH POWER	AUTO			

(ii) Air flow direction is controlled according to the room temperature and setting temperature.

1) When 3D auto operation starts

	Cooling	Heating
Flap	Up/down swing	
Louver	Wide (Fixed)	Center (Fixed)

2) When Room temp. – Setting temp. is ≤ 5°C during cooling and when setting temp. – Room temp. is ≤ 5°C during heating, the system switches to the following air flow direction control. After the louver swings left and right symmetrically for 3 cycles, control is switched to the control in 3).

	Cooling	Heating
Flap	Horizontal blowing (Fixed)	Slant forwardl blowing (Fixed)
Louver	Left/right swing	

3) After the flap swings for 5 cycles, control is switched to the control in 4).

	Cooling	Heating
Flap	Up/down swing	
Louver	Center (Fixed)	

- 4) For 5 minutes, the following air flow direction control is carried out.

	Cooling	Heating
Flap	Horizontal blowing (Fixed)	Slant forwardl blowing (Fixed)
Louver	Wide (Fixed)	

- 5) After 5 minutes have passed, the air flow direction is determined according to the room temperature and setting temperature.

Operation mode	Air flow direction control		
Cooling	Room temp. – Setting temp. $\leq 2^{\circ}\text{C}$	$2^{\circ}\text{C} < \text{Room temp.} - \text{Setting temp.} \leq 5^{\circ}\text{C}$	Room temp. – Setting temp. $> 5^{\circ}\text{C}$
	The control in 4) continues.	Control returns to the control in 2).	Control returns to the control in 1).
Heating	Setting temp. – Room temp. $\leq 2^{\circ}\text{C}$	$2^{\circ}\text{C} < \text{Setting temp.} - \text{Room temp.} \leq 5^{\circ}\text{C}$	Setting temp. – Room temp. $> 5^{\circ}\text{C}$
	The control in 4) continues.	Control returns to the control in 2).	Control returns to the control in 1).

- (b) During DRY operation

Flap	Horizontal blowing (Fixed)
Louver	Wide (Fixed)

(11) Timer operation

(a) Comfort start-up (ON timer operation)

The unit starts the operation 5 to 60 minutes earlier so that the room can approach optimum temperature at ON timer.

(b) Sleep timer operation

Pressing the SLEEP button causes the temperature to be controlled with respect to the set temperature.

(c) OFF timer operation

The OFF timer can be set at a specific time (in 10-minute units) within a 24-hour period.

(d) Weekly timer operation

Up to 4 programs with timer operation (ON timer / OFF timer) are available for each day of the week.

(12) Silent operation

When the silent operation is set, the unit operates by dropping the outdoor fan speed and the compressor speed.

	SRK20		SRK25		SRK35		SRK50	
	Cooling	Heating	Cooling	Heating	Cooling	Heating	Cooling	Heating
Outdoor fan speed (Upper limit)	4th speed	4th speed	4th speed	4th speed	5th speed	4th speed	4th speed	4th speed
Compressor speed (Upper limit)	30 rps	46 rps	37 rps	49 rps	50 rps	56 rps	46 rps	46 rps

(13) Night setback operation

When the night setback operation is set, the heating operation starts with the setting temperature at 10°C .

(14) Air flow range setting

Take the air-conditioner location into account and adjust the left/right air flow range to maximize air-conditioning.

(a) Setting

(i) If the air-conditioning unit is running, press the ON/OFF button to stop.
The installation location setting cannot be made while the unit is running.

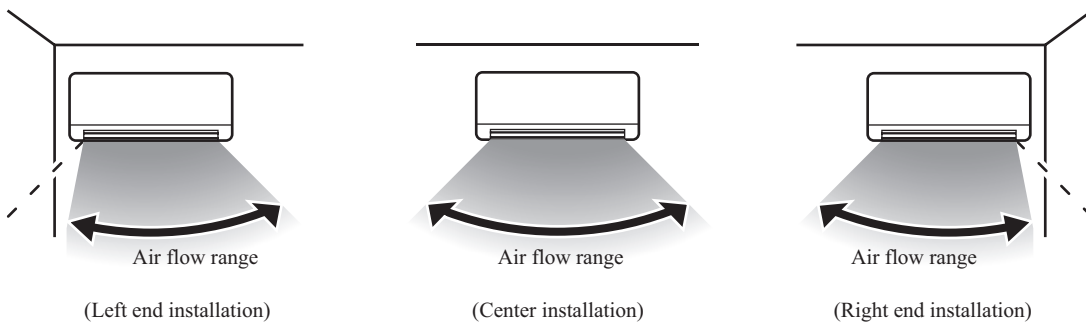
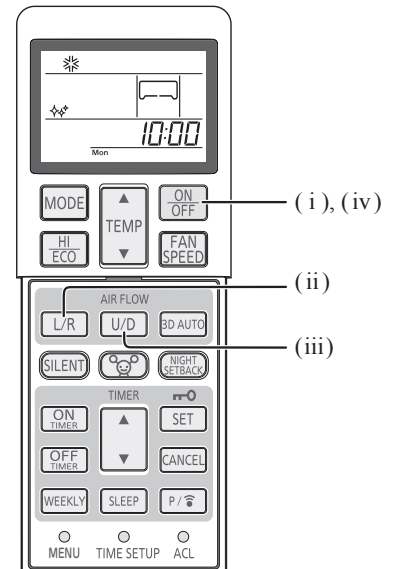
(ii) Press the AIR FLOW U/D (UP/DOWN) button and the AIR FLOW L/R (LEFT/RIGHT) button together for 5 seconds or more.

The installation location display illuminates.

(iii) Setting the air-conditioning installation location.

Press the AIR FLOW L/R (LEFT/RIGHT) button and adjust to the desired location.

Each time the AIR FLOW L/R (LEFT/RIGHT) button is pressed, the indicator is switched in the order of:



(iv) Press the ON/OFF button.

The air-conditioner's installation location is set.

Press within 60 seconds of setting the installation location (while the installation location setting display illuminates).

(15) Display brightness adjustment

This function can be used when it is necessary to adjust the brightness of unit display.

Brightness level	Run light	Timer light
LV2	100%	100%
LV1	50%	50%
LV0	0%	0%

Note(1) When the unit displays self diagnosis or service mode, brightness level is always LV2.

(16) Outline of heating operation

(a) Operation of major functional components in heating mode

	Heating		
	Thermostat ON	Thermostat OFF	Failure
Compressor	ON	OFF	OFF
Indoor fan motor	ON	ON(HOT KEEP)*	OFF
Outdoor fan motor	ON	OFF (few minutes ON)	OFF
4-way valve	ON	ON	OFF (3 minutes ON)

*It can be set the indoor fan motor off or the heating thermostat OFF with connecting a wired remote control. In the case, indoor air temperature is detected by sensor on the wired remote control.

(b) Details of control at each operation mode (pattern)

(i) Fuzzy operation

Deviation between the indoor temperature setting correction temperature and the return air temperature is calculated in accordance with the fuzzy rule, and used for control of the air capacity and the compressor speed.

Fan speed \ Model	SRK20	SRK25	SRK35	SRK50
Auto	20-115rps	20-115rps	20-115rps	23-106rps
HI	20-115rps	20-115rps	20-115rps	23-106rps
MED	20-86rps	20-104rps	20-108rps	23-82rps
LO	20-70rps	20-84rps	20-96rps	23-70rps
ULO	20-44rps	20-54rps	20-60rps	23-37rps

When the defrosting, protection device, etc. is actuated, operation is performed in the corresponding mode.

(ii) Hot keep operation

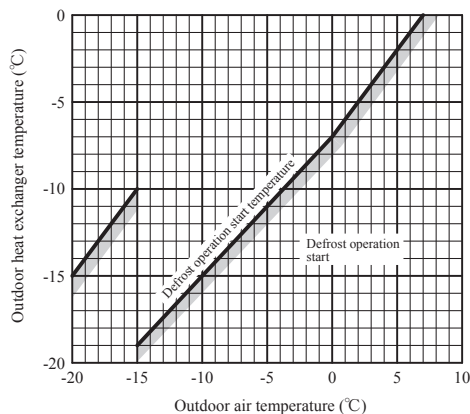
During the heating operation, the indoor fan speed can be controlled based on the temperature of the indoor heat exchanger (Th2) to prevent blowing out of cold air.

(c) Defrost operation

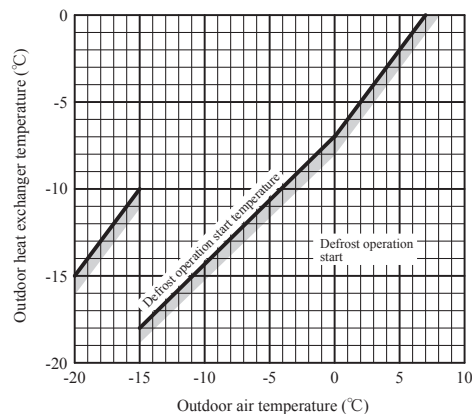
(i) Starting conditions (Defrost operation can be started only when all of the following conditions are satisfied.)

- 1) After start heating operation
When it elapsed 45 (model SRK50 : 35) minutes. (Total compressor operation time)
- 2) After finish of defrost operation
When it elapsed 45 (model SRK50 : 35) minutes. (Total compressor operation time)
- 3) Outdoor heat exchanger sensor (TH1) temperature
When the temperature has been -5°C or less for 3 minutes continuously.
- 4) The difference between the outdoor air sensor temperature and the outdoor heat exchanger sensor temperature is as following.

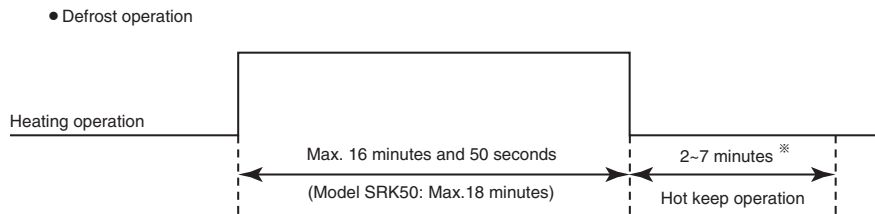
Models SRK20, 25



Models SRK35, 50



- 5) During continuous compressor operation
 In case satisfied all of following conditions.
- Connect compressor speed 0 rps 10 times or more.
 - Satisfy 1), 2) and 3) conditions above.
 - Outdoor air temperature is 3°C or less.
- (ii) Ending conditions (Operation returns to the heating cycle when either one of the following is satisfied.)
- 1) Outdoor heat exchanger sensor (TH1) temperature: 13°C (model SRK50 : 10°C) or higher
 - 2) Continued operation time of defrost operation → For more than 16 minutes and 50 seconds (model SRK50 : 18 minutes).



※Depends on an operation condition, the time can be longer than 7 minutes.

(d) Countermeasure for excessive temperature rise

If it feels excessive temperature rise in heating operation, setting temperature can be lower.

(i) Setting

Push ON/OFF button 30 seconds or more after turn on the power source and operate the air-conditioner at least once time. At completion of the setting, the indoor unit emits a buzzer sound “Pip”.

(ii) Contents of control

Unit : °C

	Signal of wireless remote control (Display)												
	18	19	20	21	22	23	24	25	26	27	28	29	30
Before setting	20	21	22	23	24	25	26	27	28	29	30	31	32
After setting	18	19	20	21	22	23	24	25	26	27	28	29	30

(iii) Reset condition

Push ON/OFF button 30 seconds or more during setting this mode. At completion of the reset, the indoor unit emits a buzzer sound “PiPiPi”.

(17) Outline of cooling operation

(a) Operation of major functional components in cooling mode

	Cooling		
	Thermostat ON	Thermostat OFF	Failure
Compressor	ON	OFF	OFF
Indoor fan motor	ON	ON	OFF
Outdoor fan motor	ON	OFF (few minutes ON)	OFF (few minutes ON)
4-way valve	OFF	OFF	OFF

(b) Detail of control in each mode (Pattern)

(i) Fuzzy operation

During the fuzzy operation, the air flow and the compressor speed are controlled by calculating the difference between the indoor temperature setting correction temperature and the return air temperature.

Model	SRK20	SRK25	SRK35	SRK50
Fan speed				
Auto	20-66rps	20-74rps	20-98rps	23-96rps
HI	20-66rps	20-74rps	20-98rps	23-96rps
MED	20-44rps	20-55rps	20-80rps	23-62rps
LO	20-38rps	20-48rps	20-76rps	23-46rps
ULO	20-30rps	20-38rps	20-38rps	23-37rps

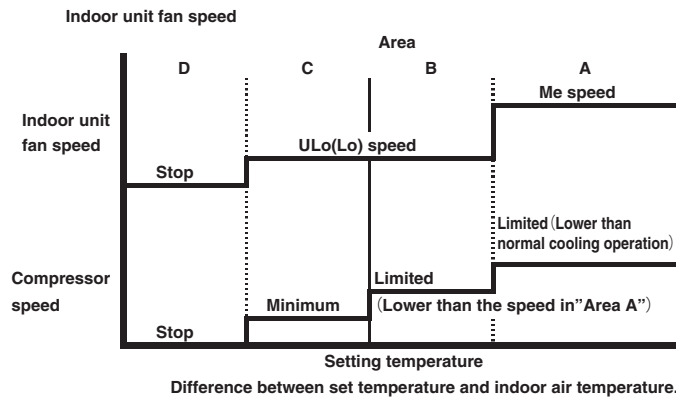
(18) Outline of dehumidifying (DRY) operation

(a) Purpose of DRY mode

The purpose is "Dehumidification", and not to control the humidity to the target condition. Indoor/outdoor unit control the operation condition to reduce the humidity, and also prevent over cooling.

(b) Outline of control

(i) Indoor unit fan speed and compressor are controlled by the area which is selected by the temperature difference.



(ii) The indoor unit checks the current area by every 5 minutes, and operates by the next checking.

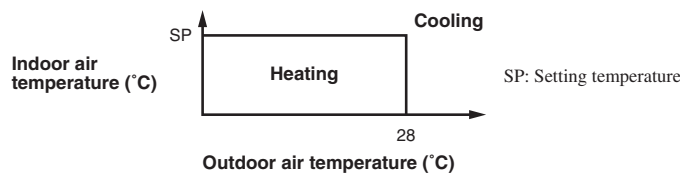
(c) Other

When the outdoor air temperature and room temperature are low in cooling operation, indoor unit can not operate cooling mode, and DRY mode. In this case, the unit operates in heating mode to rise the indoor air temperature and after that start DRY mode.

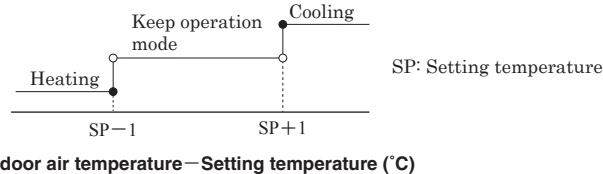
(19) Outline of automatic operation

(a) Determination of operation mode

Operation mode is determined by indoor air temperature and outdoor air temperature as following.



(b) Operation mode is changes when keep cooling and heating thermostat off 20 minutes and be satisfied with following conditions. If the setting temperature is changed with the remote control, the operation mode is judged immediately.



※It can not be changed to heating mode if outdoor air temperature is 28°C or higher.

- (c) When the unit is started again within one hour after the stop of automatic operation or when the automatic operation is selected during heating, cooling or DRY mode, the unit is operated in the previous operation mode.
- (d) Setting temperature can be adjusted within the following range. There is the relationship as shown below between the signals of the wireless remote control and the setting temperature.

		Signals of wireless remote control (Display)												
		18	19	20	21	22	23	24	25	26	27	28	29	30
Setting temperature	Cooling	18	19	20	21	22	23	24	25	26	27	28	29	30
	Heating	20	21	22	23	24	25	26	27	28	29	30	31	32

(e) When the unit is operated automatically with the wired remote control, the cooling operation is controlled according to the display temperatures while the setting temperature is compensated by +2°C during heating.

(20) Protective control function

(a) Dew prevention control (During cooling)

Prevents dewing on the indoor unit. (SRK35, 50 only)

(i) Operating conditions

When the following conditions have been satisfied for more than 30 minutes after starting operation

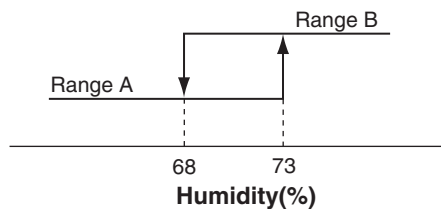
- 1) Compressor's speed is 32 (model SRK50:28) rps or higher.
- 2) Detected value of humidity is 68% or higher.

(ii) Contents of operation

- 1) Air capacity control

Model		SRK35	SRK50
LO	Upper limit of compressor's speed	RangeA: 45rps, RangeB: 45rps	RangeA: 50rps, RangeB: 40rps
	Indoor fan	4th speed	
AUTO,HI,MED	Upper limit of compressor's speed	RangeA: 45rps, RangeB: 45rps	RangeA: 50rps, RangeB: 40rps
	Indoor fan	Adaptable to compressor speed (Lower limit 4th speed)	

Note (1) Ranges A and B are as shown below.



- 2) When this control has continued for more than 30 minutes continuously, the following wind direction control is performed.
 - a) When the vertical wind direction is set at other than the vertical swing, the flaps change to the horizontal position.
 - b) When the horizontal wind direction is set at other than the horizontal swing, the louver changes to the vertical position.

(iii) Reset condition

Humidity is less than 63%.

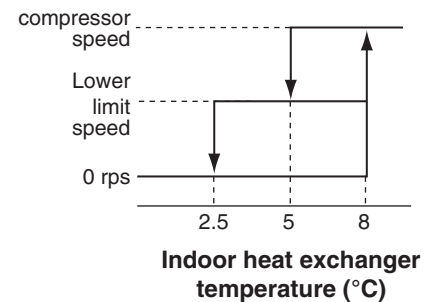
(b) Frost prevention control (During cooling or dehumidifying)

(i) Operating conditions

- 1) Indoor heat exchanger temperature (Th2) is lower than 5°C.
- 2) 5 minutes after reaching the compressor speed except 0 rps.

(ii) Detail of anti-frost operation

Item	Indoor heat exchanger temperature	
	5°C or lower	2.5°C or lower
Lower limit of compressor command speed	22 rps(model SRK50 : 23 rps)	0 rps
Indoor fan	Depends on operation mode	Keep the fan speed before frost prevention control
Outdoor fan	Depends on compressor speed	Depends on stop mode
4-way valve	OFF	



- Notes
- (1) When the indoor heat exchanger temperature is in the range of 2.5–5°C, the speed is reduced by 4 rps at each 20 seconds.
 - (2) When the temperature is lower than 2.5°C, the compressor is stopped.
 - (3) When the indoor heat exchanger temperature is in the range of 5–8°C, the compressor speed is been maintained.

(iii) Reset conditions

When either of the following condition is satisfied.

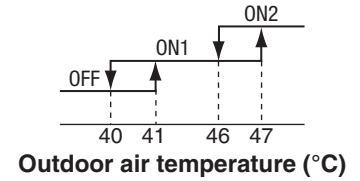
- 1) The indoor heat exchanger temperature (Th2) is 8°C or higher.
- 2) The compressor speed is 0 rps.

(c) Cooling overload protective control

(i) Operating conditions

When the outdoor air temperature (TH2) has become continuously for 30 seconds at 41°C or more, or 47°C or more with the compressor running, the lower limit speed of compressor is brought up.

Item	Model	SRK20-35		SRK50	
Outdoor air temperature		41°C or more	47°C or more	41°C or more	47°C or more
Lower limit speed		30 rps	40 rps	29 rps	35 rps



(ii) Detail of operation

- 1) The outdoor fan is stepped up by 3 speed step. [Upper limit 7 (model SRK50 : 8) th speed.]
- 2) The lower limit of compressor speed is set to 30 or 40 (model SRK50 : 29 or 35) rps.
However, when the thermo OFF, the speed is reduced to 0 rps.

(iii) Reset conditions

- When either of the following condition is satisfied.
- 1) The outdoor air temperature is lower than 40°C.
 - 2) The compressor speed is 0 rps.

(d) Cooling high pressure control

(i) Purpose

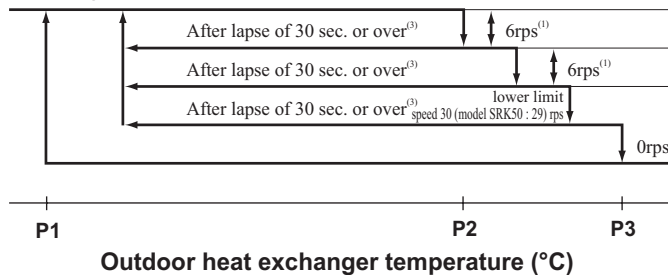
Prevents anomalous high pressure operation during cooling.

(ii) Detector

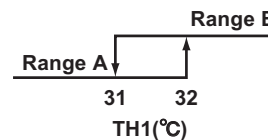
Outdoor heat exchanger sensor (TH1).

(iii) Detail of operation

(Example) Compressor speed



		TH1(°C)		
		P1	P2	P3
SRK20, 25	Range A	48	51	53
	Range B	53	58	63
SRK35, 50	Range A	51	54	58
	Range B	53	58	63



- Notes
- (1) When the outdoor heat exchanger temperature is in the range of P2-P3°C, the speed is reduced by 6 rps at each 30 seconds.
 - (2) When the temperature is P3°C or higher, the compressor is stopped.
 - (3) When the outdoor heat exchanger temperature is in the range of P1-P2°C, if the compressor speed is been maintained and the operation has continued for more than 30 seconds at the same speed, it returns to the normal cooling operation.

(e) Cooling low outdoor air temperature protective control

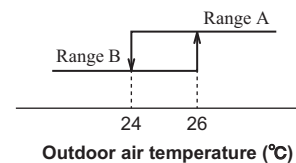
(i) Operating conditions

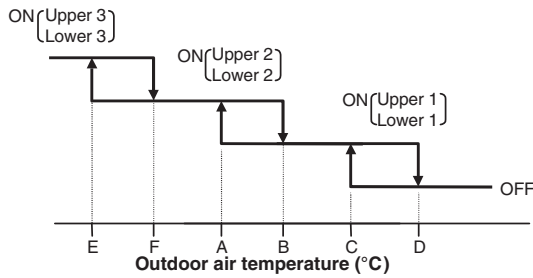
When the outdoor air temperature (TH2) is 22°C or lower continues for 20 seconds while the compressor speed is other than 0 rps.

(ii) Detail of operation

- 1) It controls the upper and lower limit values for the compressor speed according to the following table.
- 2) It checks the outdoor temperature (TH2) once every hour to judge the operation range.

Model	Compressor speed: Upper/lower limit (rps)						
	Lower 1		Upper 1	Lower 2	Upper 2	Lower 3	Upper 3
	Range B	Range A					
SRK20, 25, 35	30	Release	60	44	50	50	50
SRK50	30	Release	60	44	50	—	—





● Values of A, B, C, D, E, F (Models SRK20-35)

	Outdoor air temperature (°C)					
	E	F	A	B	C	D
First time	-8	-5	0	3	22	25
After the second times	-2	1	5	8	25	28

● Values of A, B, C, D (Model SRK50)

	Outdoor air temperature (°C)			
	A	B	C	D
First time	9	11	22	25
After the second times	16	19	25	28

(iii) **Reset conditions**

When either of the following condition is satisfied.

- 1) The outdoor air temperature (TH2) is D°C or higher.
- 2) The compressor speed is 0 rps.

(f) **Heating high pressure control**

(i) **Purpose**

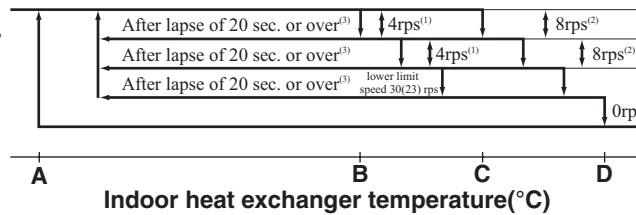
Prevents anomalous high pressure operation during heating.

(ii) **Detector**

Indoor heat exchanger sensor (Th2)

(iii) **Detail of operation**

(Example)
Compressor speed



Note (1) Value in () are for the model SRK50.

- Notes
- (1) When the indoor heat exchanger temperature is in the range of B-C °C, the speed is reduced by 4 rps at each 20 seconds.
 - (2) When the indoor heat exchanger temperature is in the range of C-D °C, the speed is reduced by 8 rps at each 20 seconds. When the temperature is D °C or higher continues for 1 minute, the compressor is stopped.
 - (3) When the indoor heat exchanger temperature is in the range of A-B °C, if the compressor speed is been maintained and the operation has continued for more than 20 seconds at the same speed, it returns to the normal heating operation.
 - (4) Indoor fan retains the fan speed when it enters in the high pressure control. Outdoor fan is operated in accordance with the speed.

● **Temperature list**
Models SRK20, 25, 35

Unit : °C

	A	B	C	D
RPSmin < 50	48	53	55	58
50 ≤ RPSmin < 91	48.5	56	58	61
91 ≤ RPSmin < 97	48.5	56 - 52.5	58	61
97 ≤ RPSmin < 100	48.5	52.5 - 50.8	58 - 56.2	61
100 ≤ RPSmin < 115	48.5 - 40.1	50.8 - 42	56.2 - 47.3	61
115 ≤ RPSmin	40.1	42	47.3	61

Note (1) RPSmin: The lower one between the outdoor speed and the compressor speed

Model SRK50

Unit : °C

	A	B	C	D
RPSmin < 40	49	53	55	58
40 ≤ RPSmin < 80	53	57	59	62
80 ≤ RPSmin < 90	53 - 47	57 - 51	59 - 53	58
90 ≤ RPSmin < 102	47 - 41	51 - 45	53 - 47	51
102 ≤ RPSmin	41	45	47	51

Note (1) RPSmin: The lower one between the outdoor speed and the compressor speed

(g) Heating overload protective control

(i) Indoor fan speed

1) Operating conditions

When the outdoor air temperature (TH2) is 17°C or higher continues for 30 seconds while the compressor speed other than 0 rps.

2) Detail of operation

The indoor fan speed is stepped up by 1 speed step. (Upper limit 9th speed)

3) Reset conditions

The outdoor air temperature (TH2) is lower than 16°C.

(ii) Outdoor unit side

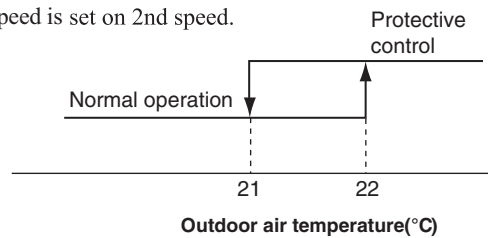
• Models SRK20, 25, 35

1) Operating conditions

When the outdoor air temperature (TH2) is 22°C or higher continues for 30 seconds while the compressor speed other than 0 rps.

2) Detail of operation

- a) Taking the upper limit of compressor speed at 60 rps, if the output speed obtained with the fuzzy calculation exceeds the upper limit, the upper limit value is maintained.
- b) The lower limit of compressor speed is set to 40 rps and even if the calculated result becomes lower than that after fuzzy calculation, the speed is kept to 40 rps. However, when the thermostat OFF, the speed is reduced to 0 rps.
- c) Inching prevention control is activated and inching prevention control is carried out with the minimum speed set at 40 rps.
- d) The outdoor fan speed is set on 2nd speed.



3) Reset conditions

The outdoor air temperature (TH2) is lower than 21°C.

• Model SRK50

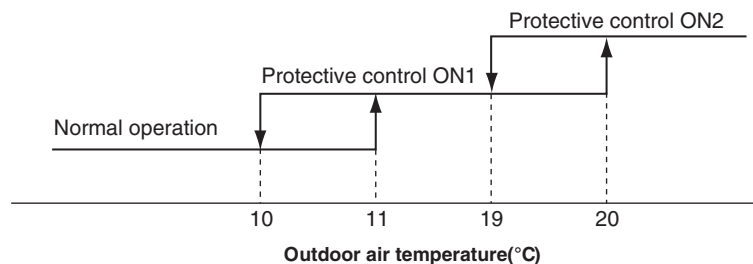
1) Operating conditions

When the outdoor air temperature (TH2) is 11°C or higher continues for 30 seconds while the compressor speed other than 0 rps.

2) Detail of operation

- a) Taking the upper limit of compressor speed range at 78 rps, if the output speed obtained with the fuzzy calculation exceeds the upper limit, the upper limit value is maintained.
- b) The lower limit of compressor speed is set to 30 rps and even if the calculated result becomes lower than that after fuzzy calculation, the speed is kept to 30 rps. However, when the thermostat OFF, the speed is reduced to 0 rps.
- c) Inching prevention control is activated and inching prevention control is carried out with the minimum speed set at 30 rps.
- d) The outdoor fan speed.

Protective control	Item	Compressor speed		Outdoor fan speed
		Low limit	Upper limit	
	ON1	30 rps	78 rps	It depends on compressor speed
	ON2	30 rps	51 rps	2nd



3) Reset conditions

The outdoor air temperature (TH2) is lower than 10°C.

(h) Heating low outdoor temperature protective control

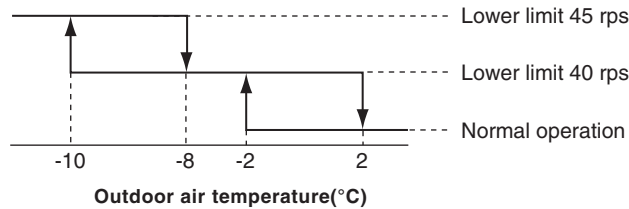
• **Models SRK20, 25, 35**

(i) Operating conditions

When the outdoor air temperature (TH2) is lower than -2°C or higher continues for 30 seconds while the compressor speed is other than 0 rps.

(ii) Detail of operation

The lower limit compressor speed is change as shown in the figure below.



(iii) Reset conditions

When either of the following condition is satisfied.

- 1) The outdoor air temperature (TH2) becomes 2°C.
- 2) The compressor speed is 0 rps.

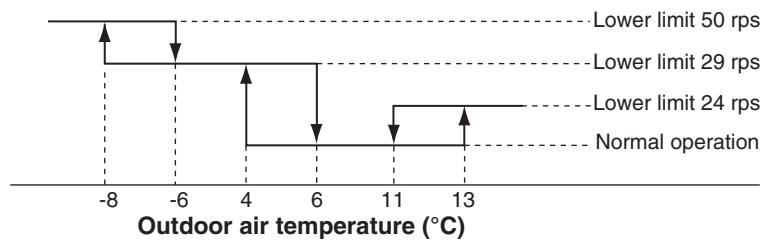
• **Model SRK50**

(i) Operating conditions

When the outdoor air temperature (TH2) is lower than 4°C or higher than 13°C continues for 30 seconds while the compressor speed is other than 0 rps.

(ii) Detail of operation

The lower limit compressor speed is change as shown in the figure below.



(iii) Reset conditions

When either of the following condition is satisfied.

- 1) The outdoor air temperature (TH2) becomes 6°C - 11°C.
- 2) The compressor speed is 0 rps.

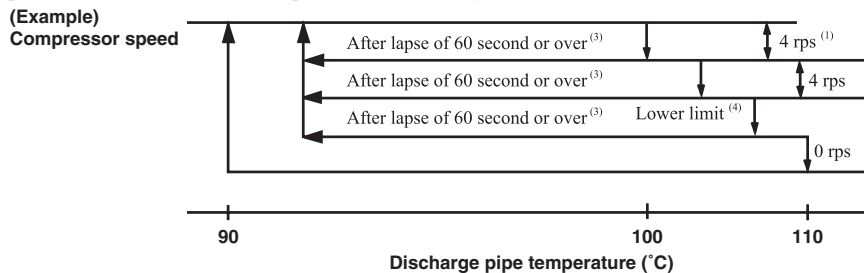
(i) Compressor overheat protection

(i) Purpose

It is designed to prevent deterioration of oil, burnout of motor coil and other trouble resulting from the compressor overheat.

(ii) Detail of operation

- 1) Speeds are controlled with temperature detected by the sensor (TH3) mounted on the discharge pipe.



- Notes (1) When the discharge pipe temperature is in the range of 100 - 110°C, the speed is reduced by 4 rps.
 (2) When the discharge pipe temperature is raised and continues operation for 20 seconds without changing, then the speed is reduced again by 4 rps.
 (3) If the discharge pipe temperature is in the range of 90 - 100°C even when the compressor speed is maintained for 60 second when the temperature is in the range of 90 - 100°C, the speed is raised by 1 rps and kept at that speed for 60 second. This process is repeated until the command speed is reached.
 (4) Lower limit speed

Model	Item	Cooling	Heating
	Lower limit speed	SRK20 - 35	20 rps
SRK50		24 rps	24 rps

- 2) If the temperature of 110°C is detected by the sensor on the discharge pipe, then the compressor will stop immediately. When the discharge pipe temperature drops and 3 minutes has elapsed, the unit starts again within 1 hour but there is no start at the third time.

(j) Current safe

(i) Purpose

Current is controlled not to exceed the upper limit of the setting operation current.

(ii) Detail of operation

Input current to the converter is monitored with the current sensor fixed on the printed circuit board of the outdoor unit and, if the operation current value reaches the limiting current value, the compressor speed is reduced.

If the mechanism is actuated when the compressor speed is less than 30 rps, the compressor is stopped immediately.

Operation starts again after 3 minutes.

(k) Current cut

(i) Purpose

Inverter is protected from overcurrent.

(ii) Detail of operation

Output current from the inverter is monitored with a shunt resistor and, if the current exceeds the setting value, the compressor is stopped immediately. Operation starts again after 3 minutes.

(l) Outdoor unit failure

This is a function for determining when there is trouble with the outdoor unit during air-conditioning.

The compressor is stopped if any one of the following in item (i), (ii) is satisfied. Once the unit is stopped by this function, it is not restarted.

(i) When the input current is measured at 1 A or less for 3 continuous minutes or more.

(ii) If the outdoor unit sends a 0 rps signal to the indoor unit 3 times or more within 20 minutes of the power being turned on.

(m) Indoor fan motor protection

When the air-conditioner is operating and the indoor fan motor is turned ON, if the indoor fan motor has operated at 300 min⁻¹ or under for more than 30 seconds, the unit enters first in the stop mode and then stops the entire system

(n) Serial signal transmission error protection

(i) Purpose

Prevents malfunction resulting from error on the indoor ↔ outdoor signals.

(ii) Detail of operation

If the compressor is operating and a serial signal cannot be received from the indoor control with outdoor control having serial signals continues for 7 minute and 35 seconds, the compressor is stopped.

After the compressor has been stopped, it will be restarted after the compressor start delay if a serial signal can be received again from the indoor control.

(o) Rotor lock

If the motor for the compressor does not turn after it has been started, it is determined that a compressor lock has occurred and the compressor is stopped.

(p) Outdoor fan motor protection

If the outdoor fan motor has operated at 75 min⁻¹ or under for more than 30 seconds, the compressor and fan motor are stopped.

(q) Outdoor fan control at low outdoor temperature

(i) Cooling

1) Operating conditions

When the outdoor air temperature (TH2) is 22°C or lower continues for 30 seconds while the compressor speed is other than 0 rps.

2) Detail of operation

After the outdoor fan operates at A speed for 60 seconds; the corresponding outdoor heat exchanger temperature shall implement the following controls.

● Value of A

	Outdoor fan
Outdoor temperature > 10°C	2nd speed
Outdoor temperature ≤ 10°C	1st speed

- a) Outdoor heat exchanger temperature (TH1) ≤ 21°C
After the outdoor fan speed drops (down) to 1 speed for 60 seconds; if the outdoor heat exchanger temperature is lower than 21°C, gradually reduce the outdoor fan speed by 1 speed. (Lower limit 1st speed)
- b) 21°C < Outdoor heat exchanger temperature (TH1) ≤ 38°C
After the outdoor fan speed maintains at A speed for 20 seconds; if the outdoor heat exchanger temperature is 21°C-38°C, maintain outdoor fan speed.
- c) Outdoor heat exchanger temperature (TH1) > 38°C
After the outdoor fan speed rises (up) to 1 speed for 60 seconds; if the outdoor heat exchanger temperature is higher than 38°C, gradually increase outdoor fan speed by 1 speed. (Upper limit 3rd speed)

3) Reset conditions

When either of the following conditions is satisfied.

- a) The outdoor air temperature (TH2) is 25°C or higher.
- b) The compressor command speed is 0 rps.

(ii) Heating

1) Operating conditions

When the outdoor air temperature (TH2) is 0°C or lower continues for 30 seconds while the compressor speed is other than 0 rps.

2) Detail of operation

The outdoor fan is stepped up by 2 speed step at each 20 seconds. (Upper limit 8th speed)

3) Reset conditions

When either of the following conditions is satisfied.

- a) The outdoor air temperature (TH2) is 2°C or higher.
- b) The compressor speed is 0 rps.

(r) Refrigeration cycle system protection

(i) Starting conditions

- 1) When 5 minutes have elapsed after the compressor ON or the completion of the defrost operation.
- 2) Other than the defrost operation.
- 3) When, after satisfying the conditions of 1) and 2) above, the compressor speed, indoor temperature (Th1) and indoor heat exchanger temperature (Th2) have satisfied the conditions in the following table for 5 minutes.

Operation mode	Compressor speed (N)	Indoor temperature (Th1)	Indoor temperature (Th1)/ Indoor heat exchanger temperature (Th2)
Cooling	50 ≤ N	10 ≤ Th1 ≤ 40	Th1 - 4 < Th2
Heating ⁽¹⁾	50 ≤ N	0 ≤ Th1 ≤ 40	Th2 < Th1 + 6

Note (1) Except that the fan speed is HI in heating operation.

(ii) Contents of control

- 1) When the conditions of (i) above are satisfied, the compressor stops.
- 2) Error stop occurs when the compressor has stopped 3 times within 60 minutes.

(iii) Reset condition

When the compressor has been turned OFF

10. MAINTENANCE DATA

(1) Cautions

- (a) If you are disassembling and checking an air-conditioner, be sure to turn off the power before beginning. When working on indoor units, let the unit sit for about 1 minute after turning off the power before you begin work. When working on an outdoor unit, there may be an electrical charge applied to the main circuit (electrolytic condenser), so begin work only after discharging this electrical charge (to DC10V or lower).
- (b) When taking out printed circuit boards, be sure to do so without exerting force on the circuit boards or package components.
- (c) When disconnecting and connecting connectors, take hold of the connector housing and do not pull on the lead wires.

(2) Items to check before troubleshooting

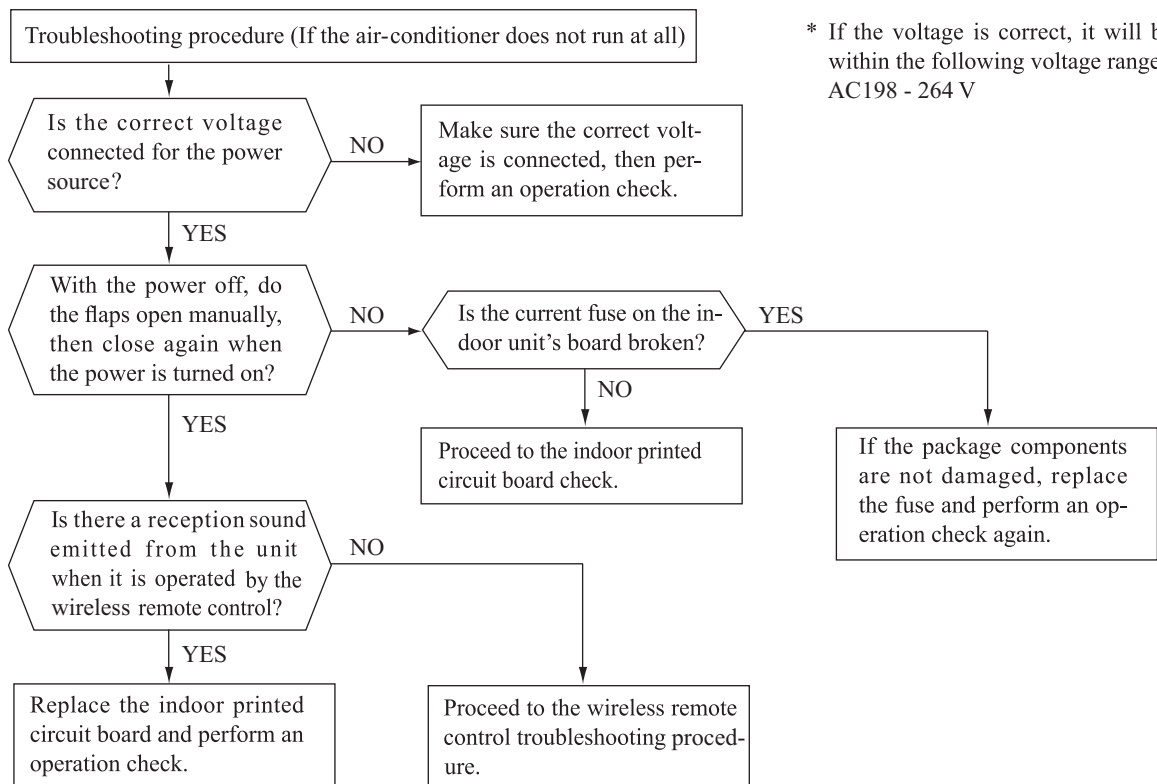
- (a) Have you thoroughly investigated the details of the trouble which the customer is complaining about?
- (b) Is the air conditioner running? Is it displaying any self-diagnosis information?
- (c) Is a power source with the correct voltage connected?
- (d) Are the control lines connecting the indoor and outdoor units wired correctly and connected securely?
- (e) Is the outdoor unit's service valve open?

(3) Troubleshooting procedure (If the air-conditioner does not run at all)

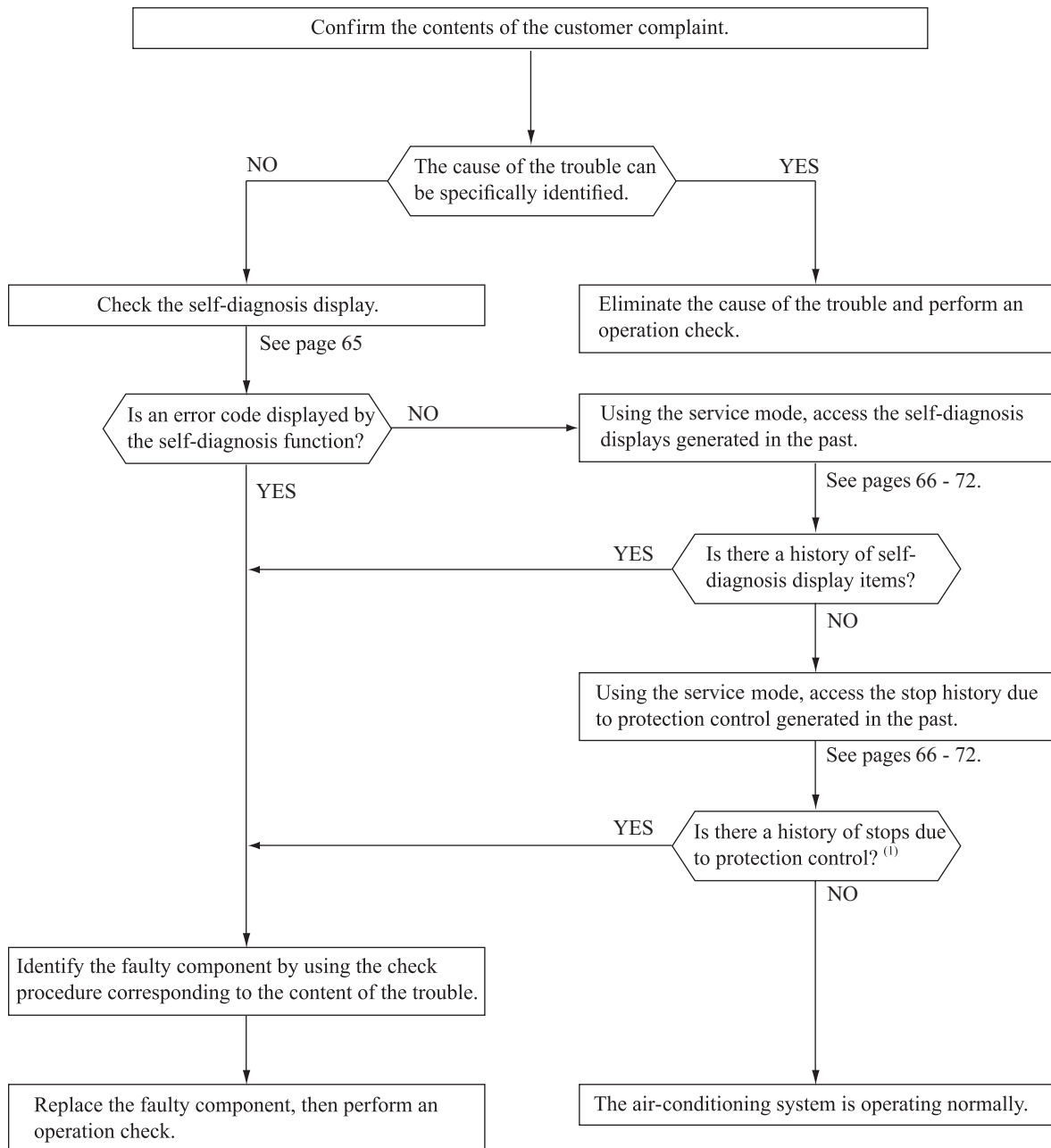
If the air-conditioner does not run at all, diagnose the trouble using the following troubleshooting procedure. If the air-conditioner is running but breaks down, proceed to troubleshooting step (4).

Important When all the following conditions are satisfied, we say that the air-conditioner will not run at all.

- (a) The RUN light does not light up.
- (b) The flaps do not open.
- (c) The indoor unit fan motors do not run.
- (d) The self-diagnosis display does not function.



(4) Troubleshooting procedure (If the air-conditioner runs)



Note (1) Even in cases where only intermittent stop data are generated, the air-conditioning system is normal. However, if the same protective operation recurs repeatedly (3 or more times), it will lead to customer complaints. Judge the conditions in comparison with the contents of the complaints.

(5) Self-diagnosis table

When this air-conditioner performs an emergency stop, the reason why the emergency stop occurred is displayed by the flashing of display lights. If the air-conditioner is operated using the remote control 3 minutes or more after the emergency stop, the trouble display stops and the air-conditioner resumes operation. ⁽¹⁾

Indoor unit display panel		Wired remote control display ⁽²⁾	Description of trouble	Cause	Display (flashing) condition
RUN light	TIMER light				
1-time flash	ON	—	Heat exchanger sensor 1 error	<ul style="list-style-type: none"> Broken heat exchanger sensor 1 wire, poor connector connection Indoor PCB is faulty 	When a heat exchanger sensor 1 wire disconnection is detected while operation is stopped. (If a temperature of -28°C or lower is detected for 15 seconds, it is judged that the wire is disconnected.) (Not displayed during operation.)
2-time flash	ON	—	Room temperature sensor error	<ul style="list-style-type: none"> Broken room temperature sensor wire, poor connector connection Indoor PCB is faulty 	When a room temperature sensor wire disconnection is detected while operation is stopped. (If a temperature of -45°C or lower is detected for 15 seconds, it is judged that the wire is disconnected.) (Not displayed during operation.)
3-time flash	ON	—	Heat exchanger sensor 2 error	<ul style="list-style-type: none"> Broken heat exchanger sensor 2 wire, poor connector connection Indoor PCB is faulty 	When a heat exchanger sensor 2 wire disconnection is detected while operation is stopped. (If a temperature of -28°C or lower is detected for 15 seconds, it is judged that the wire is disconnected.) (Not displayed during operation.)
6-time flash	ON	E 16	Indoor fan motor error	<ul style="list-style-type: none"> Defective fan motor, poor connector connection 	When conditions for turning the indoor unit's fan motor on exist during air-conditioner operation, an indoor unit fan motor speed of 300 min ⁻¹ or lower is measured for 30 seconds or longer. (The air-conditioner stops.)
Keeps flashing	1-time flash	E 38	Outdoor air temperature sensor error	<ul style="list-style-type: none"> Broken outdoor air temp. sensor wire, poor connector connection Outdoor PCB is faulty 	-55°C or lower is detected for 5 seconds continuously 3 times within 40 minutes after initial detection of this anomalous temperature. Or -55°C or lower is detected for within 20 seconds after power ON. (The compressor is stopped.)
Keeps flashing	2-time flash	E 37	Outdoor heat exchanger sensor error	<ul style="list-style-type: none"> Broken heat exchanger sensor wire, poor connector connection Outdoor PCB is faulty 	-55°C or lower is detected for 5 seconds continuously 3 times within 40 minutes after initial detection of this anomalous temperature. Or -55°C or lower is detected for within 20 seconds after power ON. (The compressor is stopped.)
Keeps flashing	4-time flash	E 39	Discharge pipe sensor error	<ul style="list-style-type: none"> Broken discharge pipe sensor wire, poor connector connection Outdoor PCB is faulty 	-25°C or lower is detected for 5 seconds continuously 3 times within 40 minutes after initial detection of this anomalous temperature. (The compressor is stopped.)
ON	1-time flash	E 42	Current cut	<ul style="list-style-type: none"> Compressor locking, open phase on compressor output, short circuit on power transistor, service valve is closed 	The compressor output current exceeds the set value during compressor start. (The air-conditioner stops.)
ON	2-time flash	E 59	Trouble of outdoor unit	<ul style="list-style-type: none"> Broken compressor wire Compressor blockage 	When there is an emergency stop caused by trouble in the outdoor unit, or the input current value is found to be lower than the set value. (The air-conditioner stops.)
ON	3-time flash	E 58	Current safe stop	<ul style="list-style-type: none"> Overload operation Overcharge Compressor locking 	When the compressor speed is lower than the set value and the current safe has operated. (The compressor stops)
ON	4-time flash	E 51	Power transistor error	<ul style="list-style-type: none"> Broken power transistor 	When the power transistor is judged breakdown while compressor starts. (The compressor is stopped.)
ON	5-time flash	E 36	Over heat of compressor	<ul style="list-style-type: none"> Gas shortage, defective discharge pipe sensor, service valve is closed 	When the value of the discharge pipe sensor exceeds the set value. (The air-conditioner stops.)
ON	6-time flash	E 5	Error of signal transmission	<ul style="list-style-type: none"> Defective power source, Broken signal wire, defective indoor/outdoor PCB 	When there is no signal between the indoor PCB and outdoor PCB for 10 seconds or longer (when the power is turned on), or when there is no signal for 7 minute 35 seconds or longer (during operation) (the compressor is stopped).
ON	7-time flash	E 48	Outdoor fan motor error	<ul style="list-style-type: none"> Defective fan motor, poor connector connection 	When the outdoor unit's fan motor speed continues for 30 seconds or longer at 75 min ⁻¹ or lower. (3 times) (The air-conditioner stops.)
ON	Keeps flashing	E 35	Cooling high pressure protection	<ul style="list-style-type: none"> Overload operation, overcharge Broken outdoor heat exchange sensor wire Service valve is closed 	When the value of the outdoor heat exchanger sensor exceeds the set value.
2-time flash	2-time flash	E 60	Rotor lock	<ul style="list-style-type: none"> Defective compressor Open phase on compressor Defective outdoor PCB 	If the compressor motor's magnetic pole positions cannot be correctly detected when the compressor starts. (The air-conditioner stops.)
5-time flash	ON	E 47	Active filter voltage error	<ul style="list-style-type: none"> Defective active filter 	When the wrong voltage connected for the power source. When the outdoor PCB is faulty.
7-time flash	ON	E 57	Refrigeration cycle system protective control	<ul style="list-style-type: none"> Service valve is closed. Refrigerant is insufficient 	When refrigeration cycle system protective control operates.
7-time flash	1-time flash	E 40	Service valve (gas side) closed operation	<ul style="list-style-type: none"> Service valve (gas side) closed Defective outdoor PCB 	If the output current of inverter exceeds the specifications, it makes the compressor stopping. (In heating mode). After 3-minute delay, the compressor restarts, but if this anomaly occurs 2 times within 20 minute after the initial detection.
—	—	E 1	Error of wired remote control wiring	<ul style="list-style-type: none"> Broken wired remote control wire, defective indoor PCB 	The wired remote control wire Y is open. The wired remote control wires X and Y are reversely connected. Noise is penetrating the wired remote control lines. The wired remote control or indoor PCB is faulty. (The communications circuit is faulty.)

Notes (1)The air-conditioner cannot be restarted using the remote control for 3 minutes after operation stops.

(2)The wired remote control is option parts.

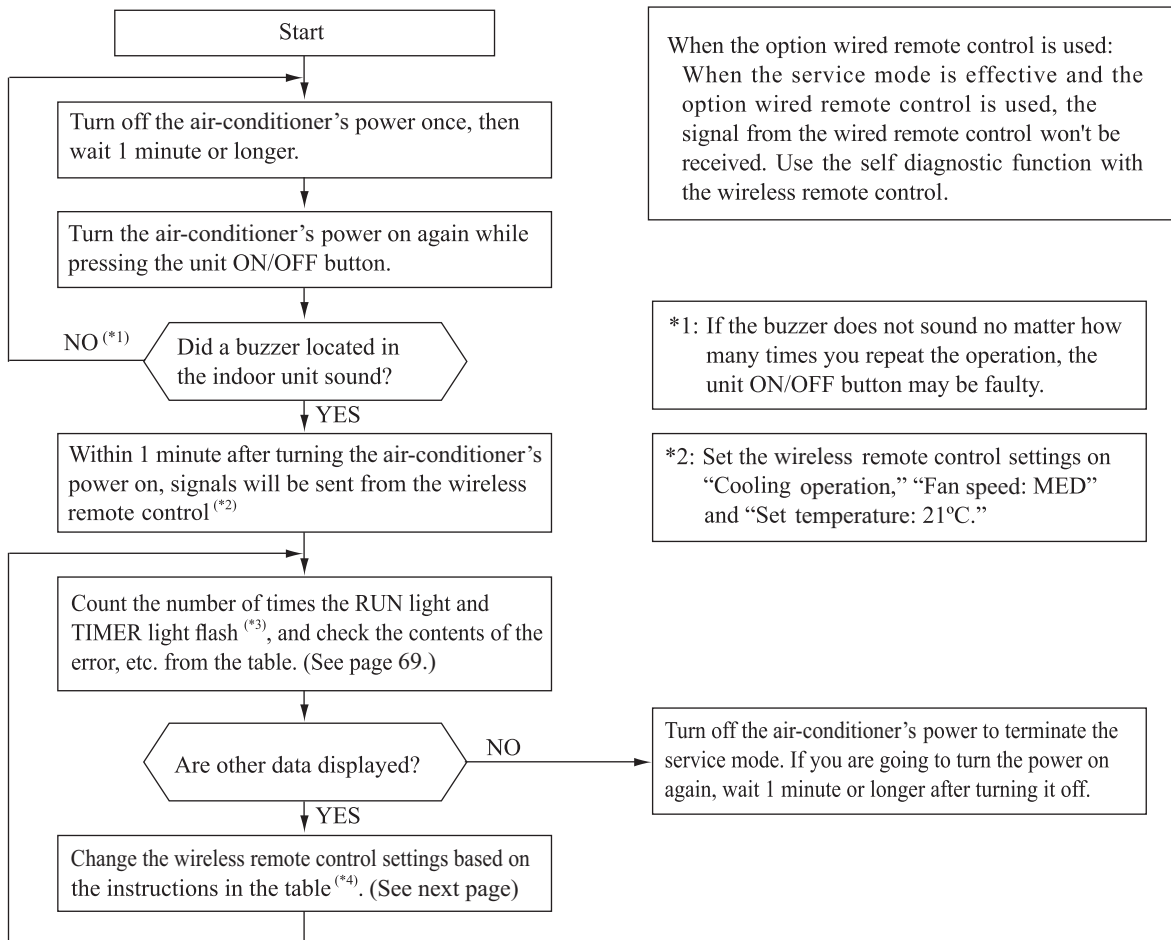
(6) Service mode (Trouble mode access function)

This air-conditioner is capable of recording error displays and protective stops (service data) which have occurred in the past. If self-diagnosis displays cannot be confirmed, it is possible to get a grasp of the conditions at the time trouble occurred by checking these service data.

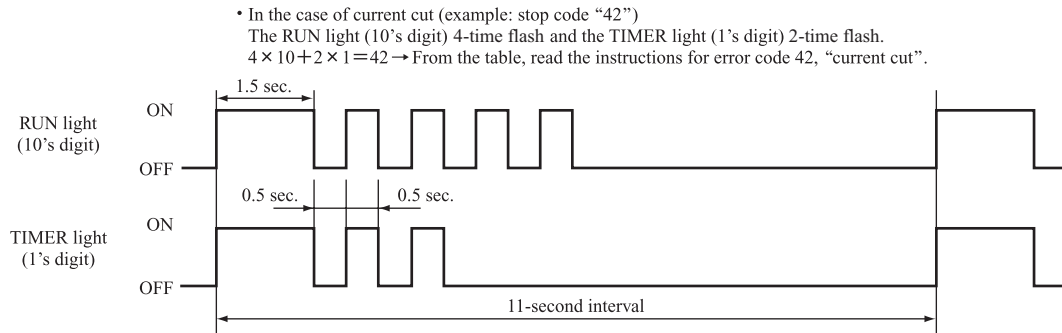
(a) Explanation of terms

Term	Explanation
Service mode	The service mode is the mode where service data are displayed by flashing of the display lights when the operations in item (b) below are performed with the indoor control.
Service data	These are the contents of error displays and protective stops which occurred in the past in the air-conditioner system. Error display contents and protective stop data from past anomalous operations of the air-conditioner system are saved in the indoor unit control's non-volatile memory (memory which is not erased when the power goes off). There are two types of data, self-diagnosis data and stop data, described below.
Self-diagnosis data	These are the data which display the reason why a stop occurred when an error display (self-diagnosis display) occurred in an indoor unit. Data are recorded for up to 5 previous occurrences. Data which are older than the 5th previous occurrence are erased. In addition, data on the temperature of each sensor (room temperature, indoor heat exchanger, outdoor heat exchanger, outdoor air temperature, discharge pipe), remote control information (operation switching, fan speed switching) are recorded when trouble occurs, so more detailed information can be checked.
Stop data	These are the data which display the reason by a stop occurred when the air-conditioning system performed protective stops, etc. in the past. Even if stop data alone are generated, the system restarts automatically. (After executing the stop mode while the display is normal, the system restarts automatically.) Data for up to 10 previous occasions are stored. Data older than the 10th previous occasion are erased. (Important) In cases where transient stop data only are generated, the air-conditioner system may still be normal. However, if the same protective stop occurs frequently (3 or more times), it could lead to customer complaints.

(b) Service mode display procedure



*3: To count the number of flashes in the service mode, count the number of flashes after the light lights up for 1.5 second initially (start signal). (The time that the light lights up for 1.5 second (start signal) is not counted in the number of flashes.)



*4: When in the service mode, when the wireless remote control settings (operation mode, fan speed mode, temperature setting) are set as shown in the following table and sent to the air-conditioner unit, the unit switches to display of service data.

(i) Self-diagnosis data

What are self-diagnosis data?

These are control data (reasons for stops, temperature at each sensor, wireless remote control information) from the time when there were error displays (abnormal stops) in the indoor unit in the past.

Data from up to 5 previous occasions are stored in memory. Data older than the 5th previous occasion are erased.

The temperature setting indicates how many occasions previous to the present setting the error display data are and the operation mode and fan speed mode data show the type of data.

Wireless remote control setting		Contents of output data
Operation mode	Fan speed mode	
Cooling	MED	Displays the reason for stopping display in the past (error code).
	HI	Displays the room temperature sensor temperature at the time the error code was displayed in the past.
	AUTO	Displays the indoor heat exchanger sensor temperature at the time the error code was displayed in the past.
Heating	LO	Displays the wireless remote control information at the time the error code was displayed in the past.
	MED	Displays the outdoor air temperature sensor temperature at the time the error code was displayed in the past.
	HI	Displays the outdoor heat exchanger sensor temperature at the time the error code was displayed in the past.
	AUTO	Displays the discharge pipe sensor temperature at the time the error code was displayed in the past.

Wireless remote control setting	Indicates the number of occasions previous to the present the error display data are from.
Temperature setting	
21°C	1 time previous (previous time)
22°C	2 times previous
23°C	3 times previous
24°C	4 times previous
25°C	5 times previous

Only for indoor heat exchanger sensor 2

Wireless remote control setting	Indicates the number of occasions previous to the present the error display data are from.
Temperature setting	
26°C	1 time previous (previous time)
27°C	2 times previous
28°C	3 times previous
29°C	4 times previous
30°C	5 times previous

(Example)

Wireless remote control setting			Displayed data
Operation mode	Fan speed mode	Temperature setting	
Cooling	MED	21°C	Displays the reason for the stop (error code) the previous time an error was displayed.
		22°C	Displays the reason for the stop (error code) 2 times previous when an error was displayed.
		23°C	Displays the reason for the stop (error code) 3 times previous when an error was displayed.
		24°C	Displays the reason for the stop (error code) 4 times previous when an error was displayed.
		25°C	Displays the reason for the stop (error code) 5 times previous when an error was displayed.

(ii) Stop data

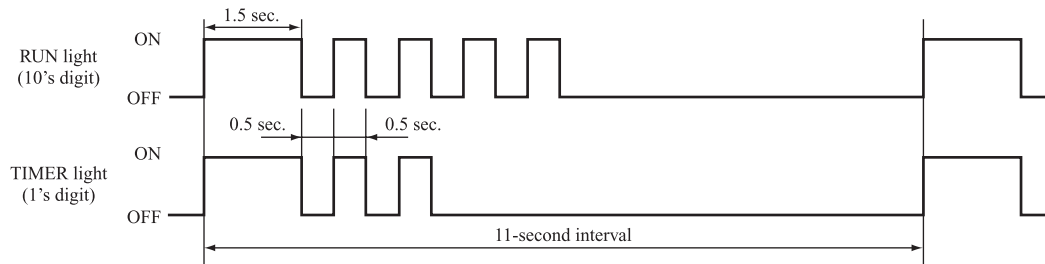
Wireless remote control setting			Displayed data
Operation mode	Fan speed mode	Temperature setting	
Cooling	LO	21°C	Displays the reason for the stop (stop code) the previous time when the air-conditioner was stopped by protective stop control.
		22°C	Displays the reason for the stop (stop code) 2 times previous when the air-conditioner was stopped by protective stop control.
		23°C	Displays the reason for the stop (stop code) 3 times previous when the air-conditioner was stopped by protective stop control.
		24°C	Displays the reason for the stop (stop code) 4 times previous when the air-conditioner was stopped by protective stop control.
		25°C	Displays the reason for the stop (stop code) 5 times previous when the air-conditioner was stopped by protective stop control.
		26°C	Displays the reason for the stop (stop code) 6 times previous when the air-conditioner was stopped by protective stop control.
		27°C	Displays the reason for the stop (stop code) 7 times previous when the air-conditioner was stopped by protective stop control.
		28°C	Displays the reason for the stop (stop code) 8 times previous when the air-conditioner was stopped by protective stop control.
		29°C	Displays the reason for the stop (stop code) 9 times previous when the air-conditioner was stopped by protective stop control.
		30°C	Displays the reason for the stop (stop code) 10 times previous when the air-conditioner was stopped by protective stop control.

(c) Error code, stop code table (Assignment of error codes and stop codes is done in common for all models.)

Number of flashes when in service mode		Stop code or Error code	Error content	Cause	Occurrence conditions	Error display	Auto recovery
RUN light (10's digit)	TIMER light (1's digit)						
OFF	OFF	0	Normal	—	—	—	—
	1-time flash	01	Error of wired remote control wiring	Broken wired remote control wire. defective indoor PCB	The wired remote control wire Y is open. The wired remote control wires X and Y are reversely connected. Noise is penetrating the wired remote control lines. The wired remote control or indoor PCB is faulty.	—	○
	5-time flash	05	Can not receive signals for 35 seconds (if communications have recovered)	Power source is faulty. Power source cables and signal lines are improperly wired. Indoor or outdoor PCB are faulty.	When 35 seconds passes without communications signals from either the outdoor unit or the indoor unit being detected correctly.	○	—
3-time flash	5-time flash	35	Cooling high pressure control	Cooling overload operation. Outdoor unit fan speed drops. Outdoor heat exchanger sensor is short circuit.	When the outdoor heat exchanger sensor's value exceeds the set value.	○ (5 times)	○
	6-time flash	36	Compressor overheat 110°C	Refrigerant is insufficient. Discharge pipe sensor is faulty. Service valve is closed.	When the discharge pipe sensor's value exceeds the set value.	○ (2 times)	○
	7-time flash	37	Outdoor heat exchanger sensor is abnormal	Outdoor heat exchanger sensor wire is disconnected. Connector connections are poor. Outdoor PCB is faulty.	-55°C or lower is detected for 5 seconds continuously 3 times within 40 minutes after initial detection of this anomalous temperature. Or -55°C lower is detected for 5 seconds continuously within 20 seconds after power ON.	○ (3 times)	○
	8-time flash	38	Outdoor air temperature sensor is abnormal	Outdoor air temperature sensor wire is disconnected. Connector connections are poor. Outdoor PCB is faulty.	-55°C or lower is detected for 5 seconds continuously 3 times within 40 minutes after initial detection of this anomalous temperature. Or -55°C lower is detected for 5 seconds continuously within 20 seconds after power ON.	○ (3 times)	○
	9-time flash	39	Discharge pipe sensor is abnormal (anomalous stop)	Discharge pipe sensor wire is disconnected. Connector connections are poor. Outdoor PCB is faulty.	-25°C or lower is detected for 5 seconds continuously 3 times within 40 minutes after initial detection of this anomalous temperature.	○ (3 times)	○
4-time flash	OFF	40	Service valve (gas side) closed operation	Service valve (gas side) closed Outdoor PCB is faulty.	If the inverter output current value exceeds the setting value within 80 seconds after the compressor ON in the heating mode, the compressor stops.	○ (2 times)	○
	2-time flash	42	Current cut	Compressor lock. Compressor wiring short circuit. Compressor output is open phase. Outdoor PCB is faulty. Service valve is closed. Electronic expansion valve is faulty. Compressor is faulty.	Compressor start fails 42 times in succession and the reason for the final failure is current cut.	○ (2 times)	○
	7-time flash	47	Active filter voltage error	Defective active filter	When the wrong voltage connected for the power source. When the outdoor PCB is faulty.	○	—
	8-time flash	48	Outdoor unit's fan motor is abnormal	Outdoor fan motor is faulty. Connector connections are poor. Outdoor PCB is faulty.	When a fan speed of 75 min ⁻¹ or lower continues for 30 seconds or longer.	○ (3 times)	○
5-time flash	1-time flash	51	Short circuit in the power transistor (high side) Current cut circuit breakdown	Outdoor PCB is faulty. Power transistor is damaged.	When it is judged that the power transistor was damaged at the time the compressor started.	○	—
	7-time flash	57	Refrigeration cycle system protective control	Service valve is closed. Refrigerant is insufficient.	When refrigeration cycle system protective control operates.	○ (3 times)	○
	8-time flash	58	Current safe	Refrigerant is overcharge. Compressor lock. Overload operation.	When there is a current safe stop during operation.	—	○
	9-time flash	59	Compressor wiring is unconnection Voltage drop Low speed protective control	Compressor wiring is disconnected. Power transistor is damaged. Power source construction is defective. Outdoor PCB is faulty. Compressor is faulty.	When the current is 1A or less at the time the compressor started. When the power source voltage drops during operation. When the compressor command speed is lower than 32 rps for 60 minutes.	○	○
6-time flash	OFF	60	Rotor lock	Compressor is faulty. Compressor output is open phase. Electronic expansion valve is faulty. Overload operation. Outdoor PCB is faulty.	After the compressor starts, when the compressor stops due to rotor lock.	○ (2 times)	○
	1-time flash	61	Connection lines between the indoor and outdoor units are faulty	Connection lines are faulty. Indoor or outdoor PCB are faulty.	When 10 seconds passes after the power is turned on without communications signals from the indoor or outdoor unit being detected correctly.	○	—
	2-time flash	62	Serial transmission error	Indoor or outdoor PCB are faulty. Noise is causing faulty operation.	When 7 minute 35 seconds passes without communications signals from either the outdoor unit or the indoor unit being detected correctly.	○	—
8-time flash	OFF	80	Indoor unit's fan motor is abnormal	Indoor fan motor is faulty. Connector connections are poor. Indoor PCB is faulty.	When the indoor unit's fan motor is detected to be running at 300 min ⁻¹ or lower speed with the fan motor in the ON condition while the air-conditioner is running.	○	—
	2-time flash	82	Indoor heat exchanger sensor is abnormal (anomalous stop)	Indoor heat exchanger sensor wire is disconnected. Connector connections are poor.	When a temperature of -28°C or lower is sensed continuously for 40 minutes during heating operation. (the compressor stops).	○	—
	4-time flash	84	Anti-condensation control	High humidity condition. Humidity sensor is faulty.	Anti-condensation prevention control is operating.	—	○
	5-time flash	85	Anti-frost control	Indoor unit fan speed drops. Indoor heat exchanger sensor is broken wire.	When the anti-frost control operates and the compressor stops during cooling operation.	—	○
	6-time flash	86	Heating high pressure control	Heating overload operation. Indoor unit fan speed drops. Indoor heat exchanger sensor is short circuit.	When high pressure control operates during heating operation and the compressor stops.	—	○

Notes (1) The number of flashes when in the service mode do not include the 1.5 second period when the lights light up at first (start signal). (See the example shown below.)

- In the case of current cut (example: stop code “42”)
 - The RUN light (10’s digit) 4-time flash and the TIMER light (1’s digit) 2-time flash.
 - $4 \times 10 + 2 \times 1 = 42 \rightarrow$ From the table, read the instructions for error code 42, “current cut”.



- (2) Error display:
 – Is not displayed. (automatic recovery only)
 Displayed.
 If there is a () displayed, the error display shows the number of times that an auto recovery occurred for the same reason has reached the number of times in ().
 If no () is displayed, the error display shows that the trouble has occurred once.
- (3) Auto Recovery:
 – Does not occur
 Auto recovery occurs.

(d) Operation mode, Fan speed mode information tables

(i) Operation mode

Display pattern when in service mode	Operation mode when there is an abnormal stop
RUN light (10's digit)	
—	AUTO
1-time flash	DRY
2-time flash	COOL
3-time flash	FAN
4-time flash	HEAT

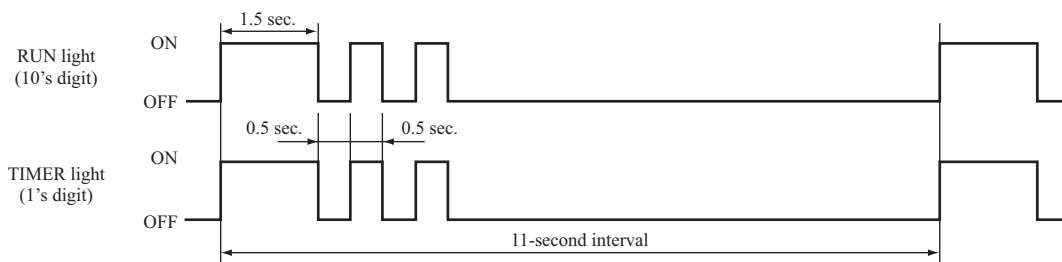
(ii) Fan speed mode

Display pattern when in service mode	Fan speed mode when there is an abnormal stop
TIMER light (1's digit)	
—	AUTO
2-time flash	HI
3-time flash	MED
4-time flash	LO
5-time flash	ULO
6-time flash	HI POWER
7-time flash	ECONO

* If no data are recorded (error code is normal), the information display in the operation mode and fan speed mode becomes as follows.

Mode	Display when error code is normal.
Operation mode	AUTO
Fan speed mode	AUTO

(Example): Operation mode: COOL, Fan speed mode: HI



(e) Temperature information

- (i) Room temperature sensor, indoor heat exchanger sensor, outdoor air temperature sensor, outdoor heat exchanger sensor temperature

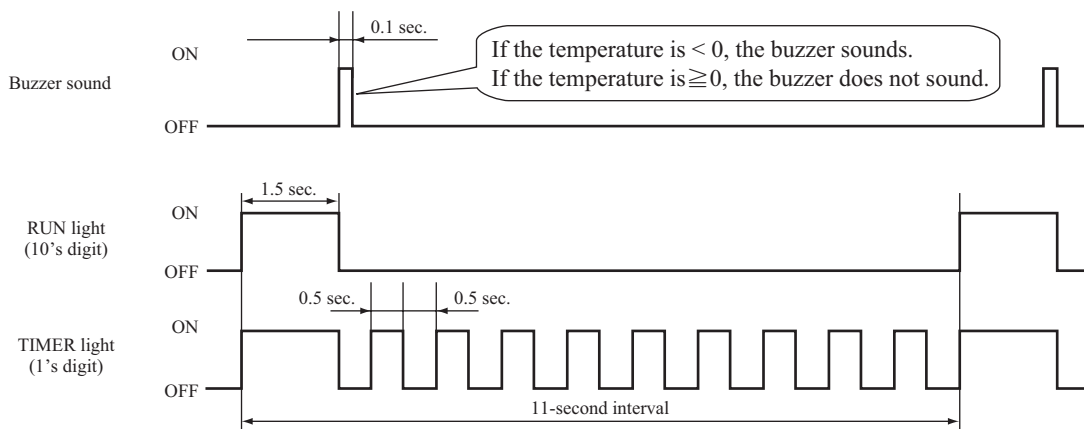
Unit: °C

Buzzer sound	RUN light (10's digit)	TIMER light (1's digit)										
		0	1	2	3	4	5	6	7	8	9	
Yes (sounds for 0.1 second)	6	-60	-61	-62	-63	-64						
	5	-50	-51	-52	-53	-54	-55	-56	-57	-58	-59	
	4	-40	-41	-42	-43	-44	-45	-46	-47	-48	-49	
	3	-30	-31	-32	-33	-34	-35	-36	-37	-38	-39	
	2	-20	-21	-22	-23	-24	-25	-26	-27	-28	-29	
	1	-10	-11	-12	-13	-14	-15	-16	-17	-18	-19	
	0		-1	-2	-3	-4	-5	-6	-7	-8	-9	
No (does not sound)	0	0	1	2	3	4	5	6	7	8	9	
	1	10	11	12	13	14	15	16	17	18	19	
	2	20	21	22	23	24	25	26	27	28	29	
	3	30	31	32	33	34	35	36	37	38	39	
	4	40	41	42	43	44	45	46	47	48	49	
	5	50	51	52	53	54	55	56	57	58	59	
	6	60	61	62	63	64	65	66	67	68	69	
	7	70	71	72	73	74	75	76	77	78	79	
	8	80	81	82	83	84	85	86	87	88	89	
	9	90	91	92	93	94	95	96	97	98	99	

* If no data are recorded (error code is normal), the display for each temperature information becomes as shown below.

Sensor name	Sensor value displayed when the error code is normal
Room temperature sensor	-64°C
Indoor heat exchanger sensor	-64°C
Outdoor air temperature sensor	-64°C
Outdoor heat exchanger sensor	-64°C

(Example) Outdoor heat exchanger temperature data: “-9°C”



(ii) Discharge pipe sensor temperature

Unit: °C

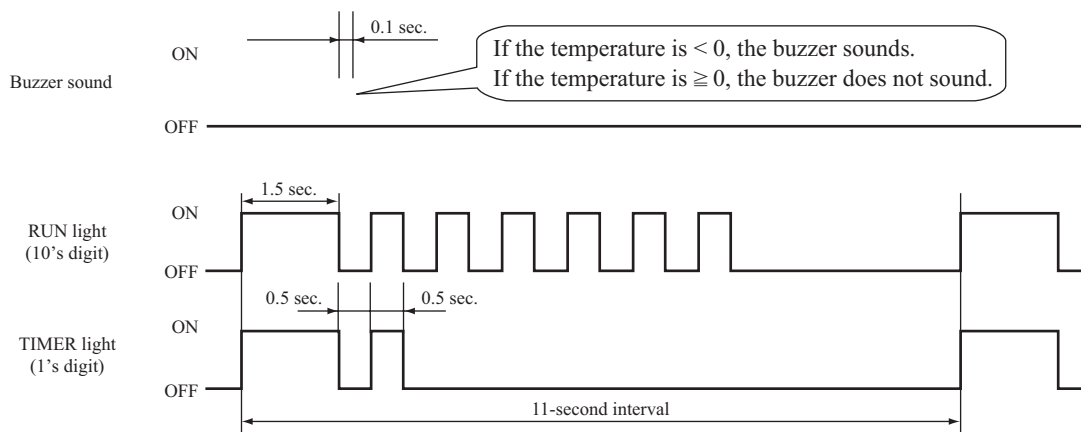
Buzzer sound	RUN light (10's digit)	TIMER light (1's digit)										
		0	1	2	3	4	5	6	7	8	9	
Yes (sounds for 0.1 second)	3	-60	-62	-64								
	2	-40	-42	-44	-46	-48	-50	-52	-54	-56	-58	
	1	-20	-22	-24	-26	-28	-30	-32	-34	-36	-38	
	0	/	-2	-4	-6	-8	-10	-12	-14	-16	-18	
No (does not sound)	0	0	2	4	6	8	10	12	14	16	18	
	1	20	22	24	26	28	30	32	34	36	38	
	2	40	42	44	46	48	50	52	54	56	58	
	3	60	62	64	66	68	70	72	74	76	78	
	4	80	82	84	86	88	90	92	94	96	98	
	5	100	102	104	106	108	110	112	114	116	118	
	6	120	122	124	126	128	130	132	134	136	138	
	7	140	142	144	146	148	150					

* If no data are recorded (error code is normal), the display for each temperature information becomes as shown below.

Sensor name	Sensor value displayed when the error code is normal
Discharge pipe sensor	-64°C

(Example) Discharge pipe temperature data: "122°C"

* In the case of discharge pipe data, multiply the reading value by 2. (Below, 61 x 2 = "122°C")



Service data record form

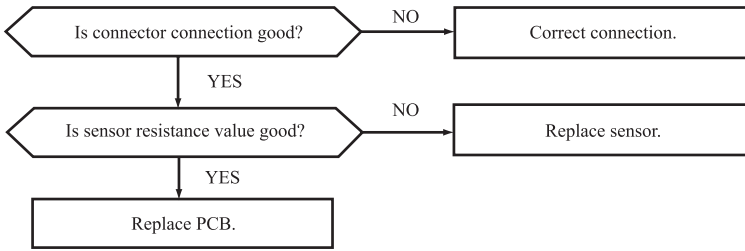
Customer		Model					
Date of investigation							
Machine name							
Content of complaint							
Wireless remote control settings			Content of displayed data	Display results			Display content
Temperature setting	Operation mode	Fan speed mode		Buzzer (Yes/No.)	RUN light (Times)	TIMER light (Times)	
21	Cooling	MED	Error code on previous occasion.	/			
		HI	Room temperature sensor on previous occasion.				
		AUTO	Indoor heat exchanger sensor 1 on previous occasion.				
	Heating	LO	Wireless remote control information on previous occasion.	/			
		MED	Outdoor air temperature sensor on previous occasion.				
		HI	Outdoor heat exchanger sensor on previous occasion.				
26	Cooling	AUTO	Indoor heat exchanger sensor 2 on previous occasion.				
22	Cooling	MED	Error code on second previous occasion.	/			
		HI	Room temperature sensor on second previous occasion.				
		AUTO	Indoor heat exchanger sensor 1 on second previous occasion.				
	Heating	LO	Wireless remote control information on second previous occasion.	/			
		MED	Outdoor air temperature sensor on second previous occasion.				
		HI	Outdoor heat exchanger sensor on second previous occasion.				
27	Cooling	AUTO	Indoor heat exchanger sensor 2 on second occasion.				
23	Cooling	MED	Error code on third previous occasion.	/			
		HI	Room temperature sensor on third previous occasion.				
		AUTO	Indoor heat exchanger sensor 1 on third previous occasion.				
	Heating	LO	Wireless remote control information on third previous occasion.	/			
		MED	Outdoor air temperature sensor on third previous occasion.				
		HI	Outdoor heat exchanger sensor on third previous occasion.				
28	Cooling	AUTO	Indoor heat exchanger sensor 2 on third occasion.				
24	Cooling	MED	Error code on fourth previous occasion.	/			
		HI	Room temperature sensor on fourth previous occasion.				
		AUTO	Indoor heat exchanger sensor 1 on fourth previous occasion.				
	Heating	LO	Wireless remote control information on fourth previous occasion.	/			
		MED	Outdoor air temperature sensor on fourth previous occasion.				
		HI	Outdoor heat exchanger sensor on fourth previous occasion.				
29	Cooling	AUTO	Indoor heat exchanger sensor 2 on fourth occasion.				
25	Cooling	MED	Error code on fifth previous occasion.	/			
		HI	Room temperature sensor on fifth previous occasion.				
		AUTO	Indoor heat exchanger sensor 1 on fifth previous occasion.				
	Heating	LO	Wireless remote control information on fifth previous occasion.	/			
		MED	Outdoor air temperature sensor on fifth previous occasion.				
		HI	Outdoor heat exchanger sensor on fifth previous occasion.				
30	Cooling	AUTO	Indoor heat exchanger sensor 2 on fifth occasion.				
21	Cooling	LO	Stop code on previous occasion.				
22			Stop code on second previous occasion.				
23			Stop code on third previous occasion.				
24			Stop code on fourth previous occasion.				
25			Stop code on fifth previous occasion.				
26			Stop code on sixth previous occasion.				
27			Stop code on seventh previous occasion.				
28			Stop code on eighth previous occasion.				
29			Stop code on ninth previous occasion.				
30			Stop code on tenth previous occasion.				
Judgment							Examiner
Remarks							

Note (1) In the case of indoor heat exchanger sensor 2, match from 26 to 30 the temperature setting of wireless remote control. (Refer to page 67)

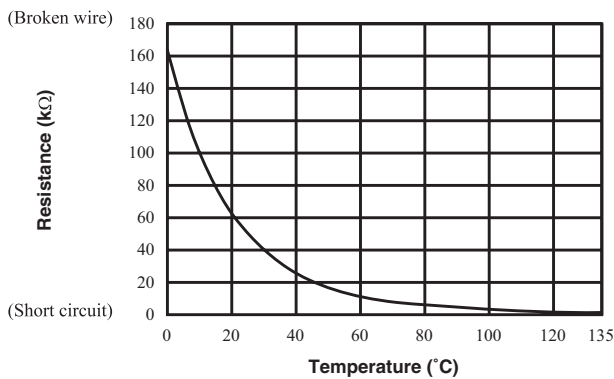
(7) Inspection procedures corresponding to detail of trouble

Sensor error

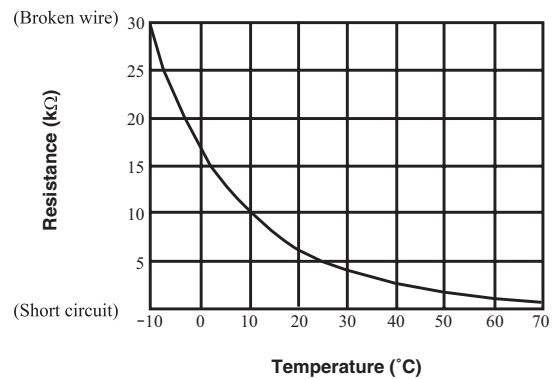
[Broken sensor wire, connector poor connection]



◆ Discharge pipe sensor temperature characteristics

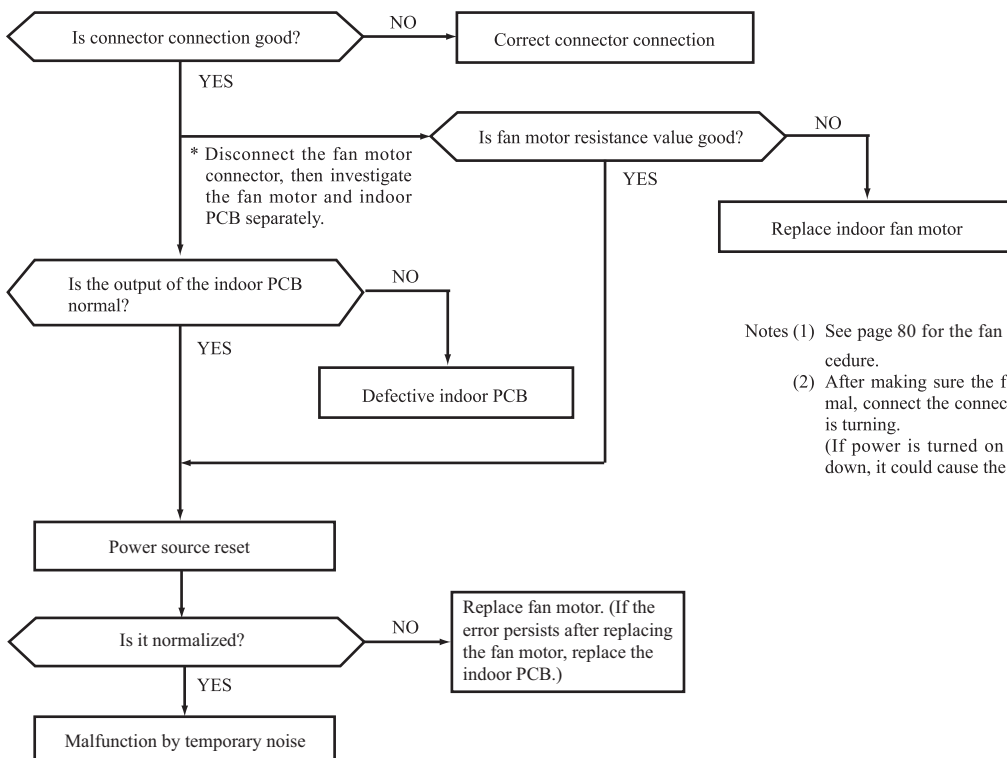


◆ Sensor temperature characteristics (Room temp., indoor heat exchanger temp., outdoor heat exchanger temp., outdoor air temp.)



Indoor fan motor error

[Defective fan motor, connector poor connection, defective indoor PCB]



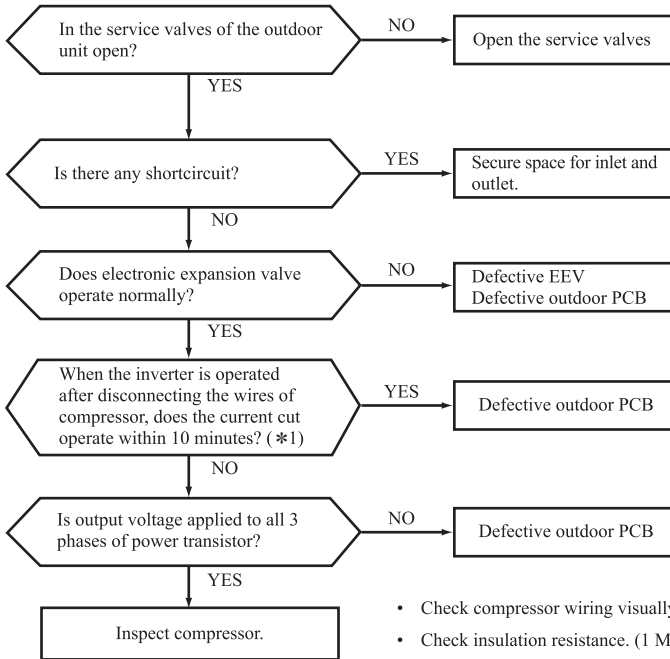
Notes (1) See page 80 for the fan motor and indoor PCB check procedure.

(2) After making sure the fan motor and indoor PCB are normal, connect the connectors and confirm that the fan motor is turning.

(If power is turned on while one or the other is broken down, it could cause the other to break down also.)

Current cut

[Compressor lock, Compressor wiring short circuit, Compressor output is open phase, Outdoor PCB is faulty, Service valve is closed, EEV is faulty, Compressor faulty.]



For inspection of electronic expansion valve, see page 84.

*1 If it is normal, it is the rotor lock problem.

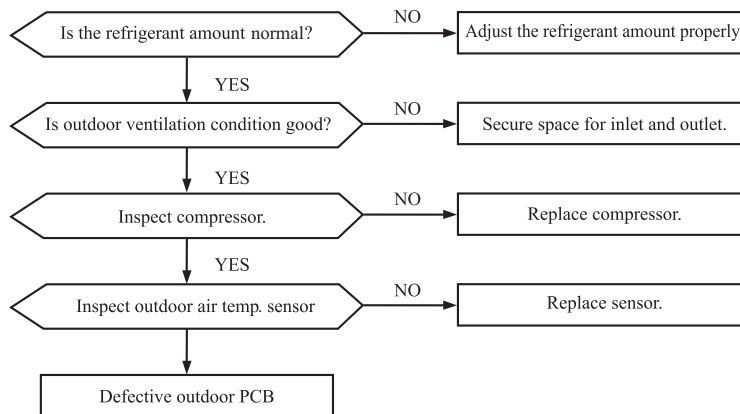
- Check compressor wiring visually.
 - Check insulation resistance. (1 MΩ or over)
 - Check coil wire resistance.
- If check results are normal, compressor is locked.

SRC20-35:1.703Ω (U-V, V-W, U-W) or more at 20°C

SRC50:1.417Ω (U-V), 1.392Ω (V-W), 1.435Ω (W-U) or more at 20°C

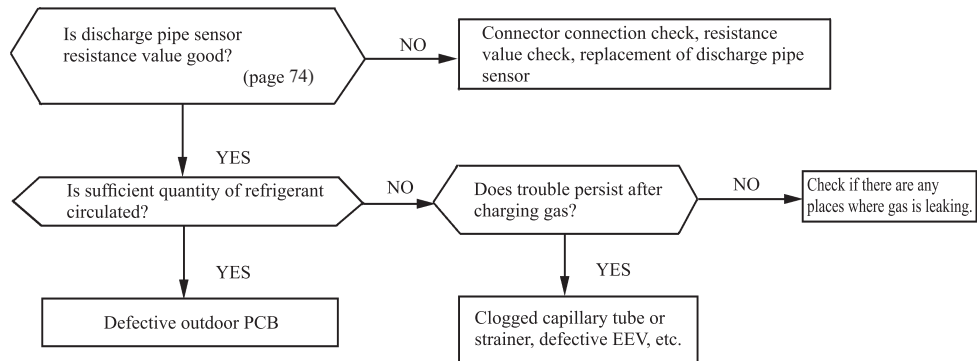
Current safe stop

[Overload operation, compressor lock, overcharge]



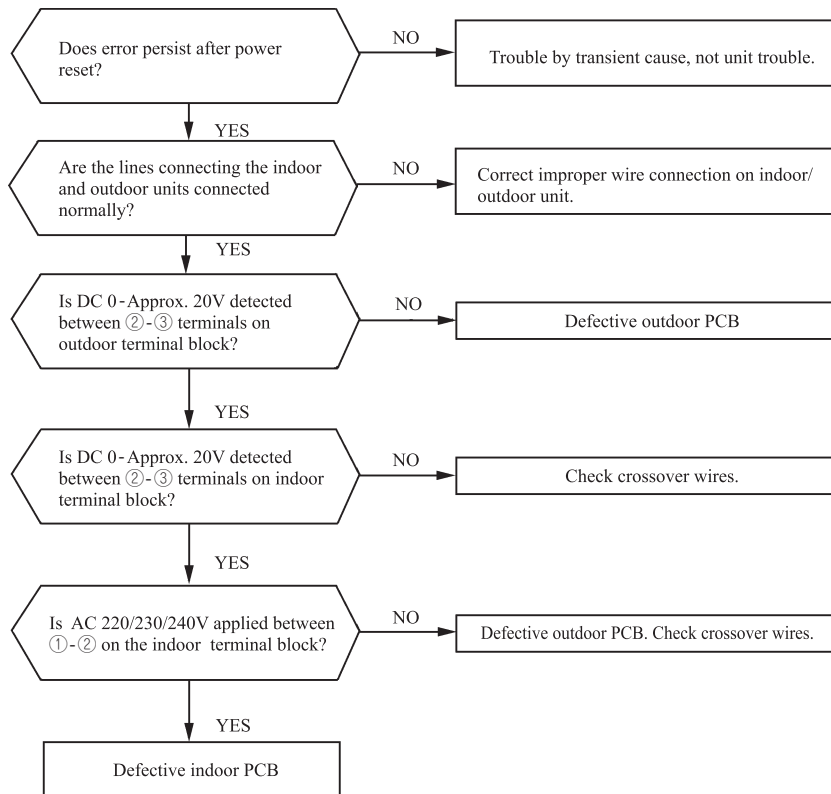
Over heat of compressor

[Gas shortage, defective discharge pipe sensor]



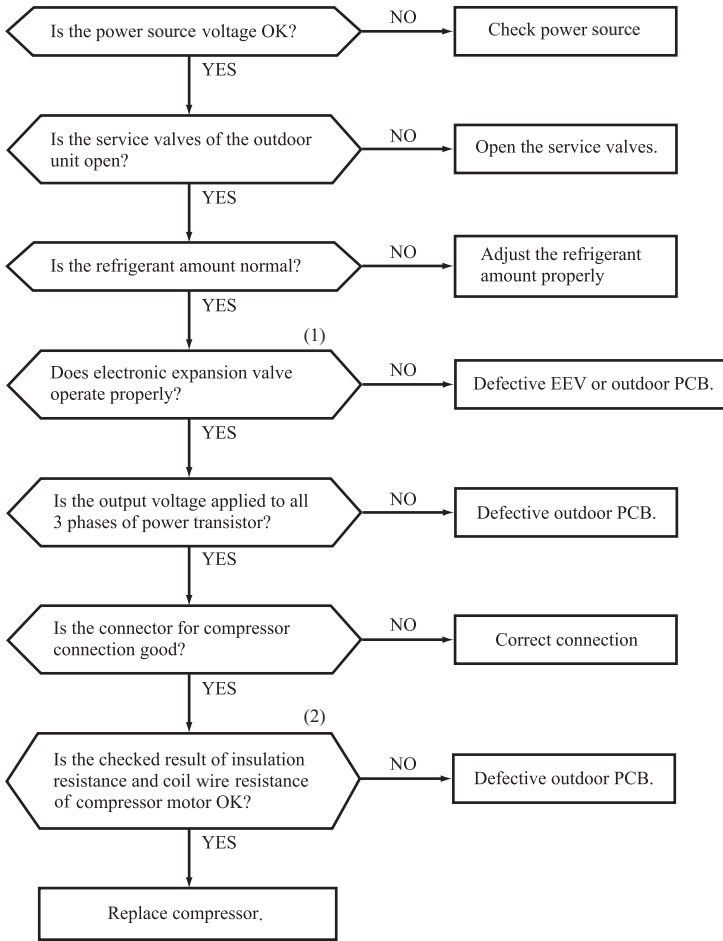
Error of signal transmission

[Wiring error including power cable, defective indoor/ outdoor PCB]



Trouble of outdoor unit

[Insufficient refrigerant amount, Faulty power transistor, Broken compressor wire]
 [Service valve close, Defective EEV, Defective outdoor PCB]



Proper power source voltages are as follows.
 (At the power source outlet)
 AC220V : AC 198-242V
 AC230V : AC 207-253V
 AC240V : AC 216-264V

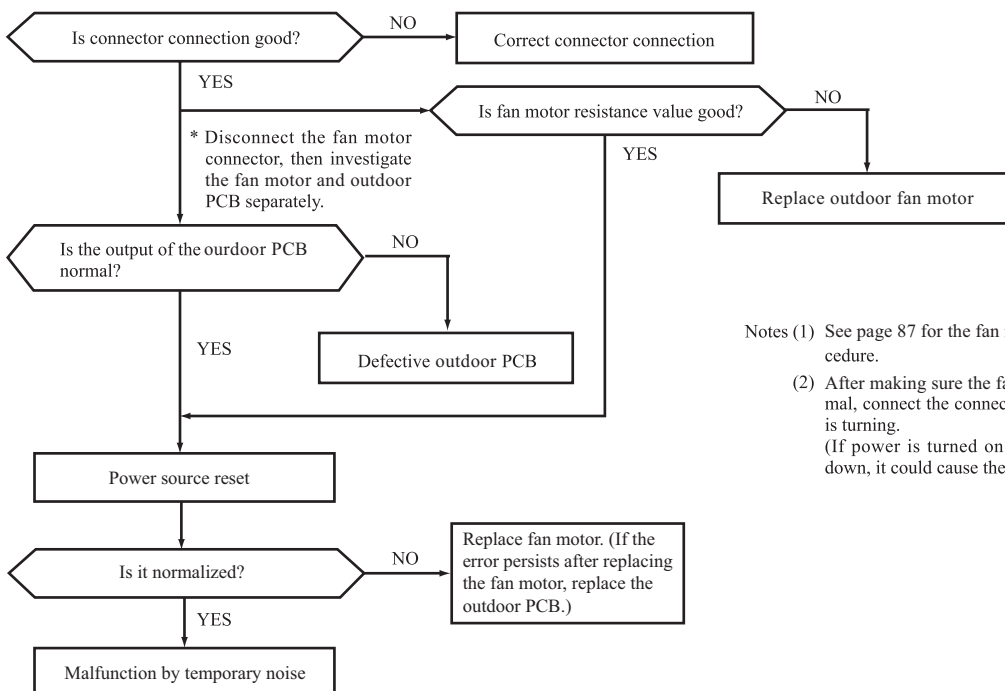
- ◆ Judgment of refrigerant quantity
- (1) Phenomenon of insufficient refrigerant
 - (a) Loss of capacity
 - (b) Poor defrost operation
(Frost is not removed completely.)
 - (c) Longer time of hot keep
(5 minute or more)
(Normal time: Approx. 1 – 1 minute and 30 seconds)

Notes (1) For inspection of electronic expansion valve, see page 84.

(2) Check coil wire resistance, see page 75.

Outdoor fan motor error

[Defective fan motor, connector poor connection, defective outdoor PCB]

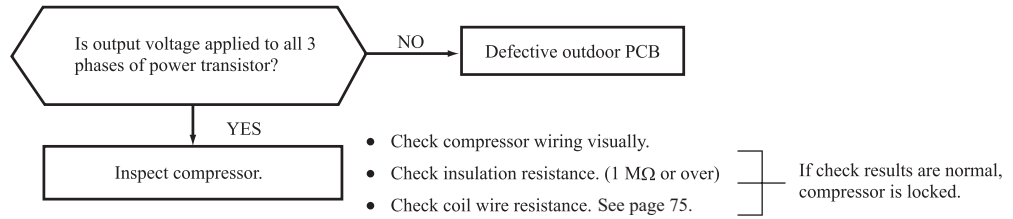


Notes (1) See page 87 for the fan motor and outdoor PCB check procedure.

(2) After making sure the fan motor and outdoor PCB are normal, connect the connectors and confirm that the fan motor is turning.
 (If power is turned on while one or the other is broken down, it could cause the other to break down also.)

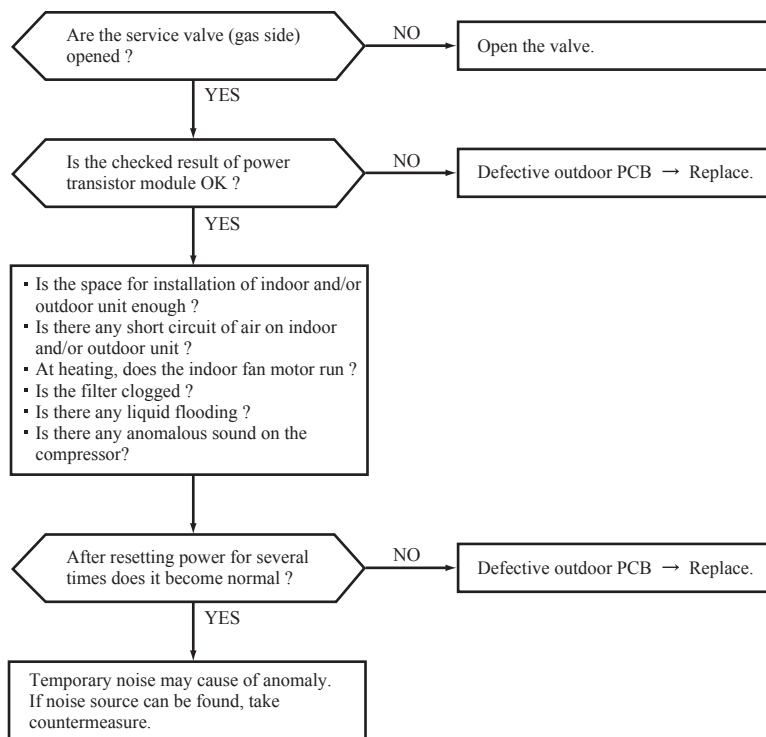
Rotor lock

[Defective compressor, defective outdoor PCB]



Service valve (gas side) closed operation

[Service valve (gas side) closed, Defective outdoor PCB]



(8) Phenomenon observed after shortcircuit, wire breakage on sensor

(a) Indoor unit

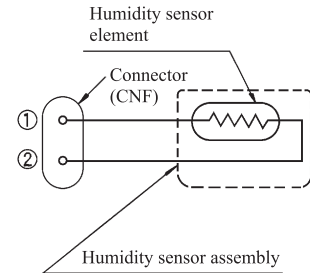
Sensor	Operation mode	Phenomenon	
		Shortcircuit	Disconnected wire
Room temperature sensor	Cooling	Release of continuous compressor operation command.	Continuous compressor operation command is not released.
	Heating	Continuous compressor operation command is not released.	Release of continuous compressor operation command.
Heat exchanger sensor	Cooling	Freezing cycle system protection trips and stops the compressor.	Continuous compressor operation command is not released. (Anti-frosting)
	Heating	High pressure control mode (Compressor stop command)	Hot keep (Indoor fan stop)
Humidity sensor ⁽¹⁾	Cooling	Refer to the table below.	Refer to the table below.
	Heating	Normal system operation is possible.	

Note (1) SRK35, 50 only.

■ Humidity sensor operation

	Failure mode	Control input circuit reading	Air-conditioning system operation
Disconnected wire	① Disconnected wire	Humidity reading is 0%	Anti-condensation control is not done.
	② Disconnected wire		
	①② Disconnected wire		
Short circuit	① and ② are short circuited	Humidity reading is 100%	Anti-condensation control keep doing.

Remark: Do not perform a continuity check of the humidity sensor with a tester. If DC current is applied, it could damage the sensor.

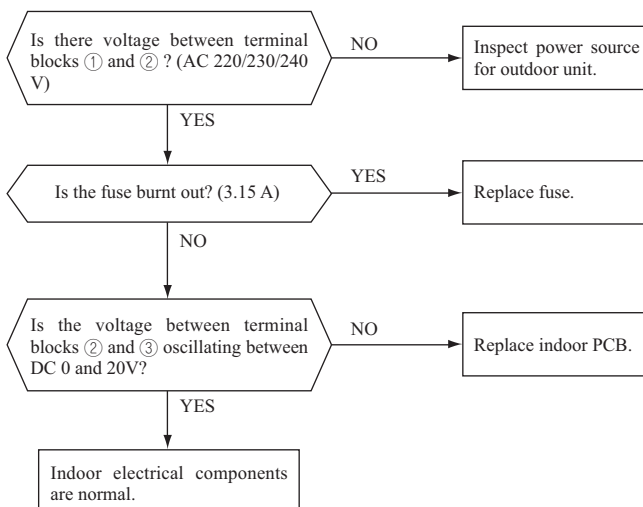


(b) Outdoor unit

Sensor	Operation mode	Phenomenon	
		Shortcircuit	Disconnected wire
Heat exchanger sensor	Cooling	Compressor stop.	Compressor stop.
	Heating	Defrosting is not performed.	Defrosting is performed for 10 minutes at approx. 35 minutes.
Outdoor air temperature sensor	Cooling	The compressor cannot pick up its speed owing to the current safe so that the designed capacity is not achieved.	Compressor stop.
	Heating	The compressor cannot pick up its speed owing to the heating overload protection so that the designed capacity is not achieved.	Defrosting is performed for 10 minutes at approx. 35 minutes.
Discharge pipe sensor	All modes	Compressor overload protection is disabled. (Can be operated.)	Compressor stop.

(9) Checking the indoor electrical equipment

(a) Indoor PCB check procedure



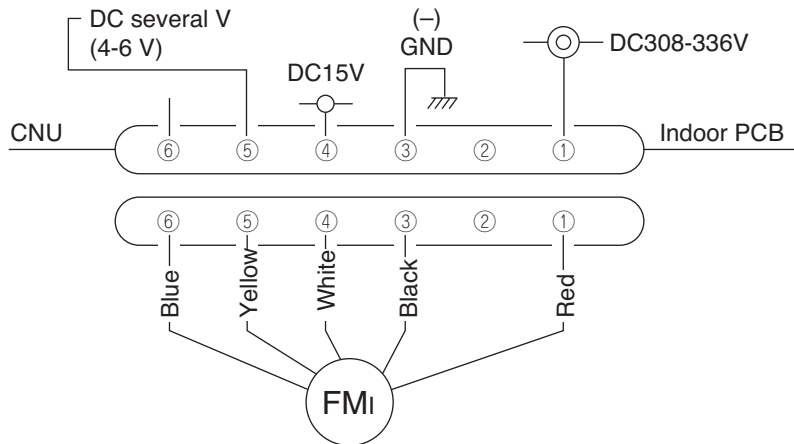
(b) Indoor unit fan motor check procedure

This is a diagnostic procedure for determining if the indoor unit's fan motor or the indoor PCB is broken down.

1) Indoor PCB output check

- a) Turn off the power.
- b) Remove the front panel, then disconnect the fan motor lead wire connector.
- c) Turn on the power. If the unit operates when the ON/OFF button is pressed, if trouble is detected after the voltages in the following figure are output for approximately 30 seconds, it means that the indoor PCB is normal and the fan motor is broken down.

If the voltages in the following figure are not output at connector pins No. ①, ④ and ⑤, the indoor PCB has failed and the fan motor is normal.



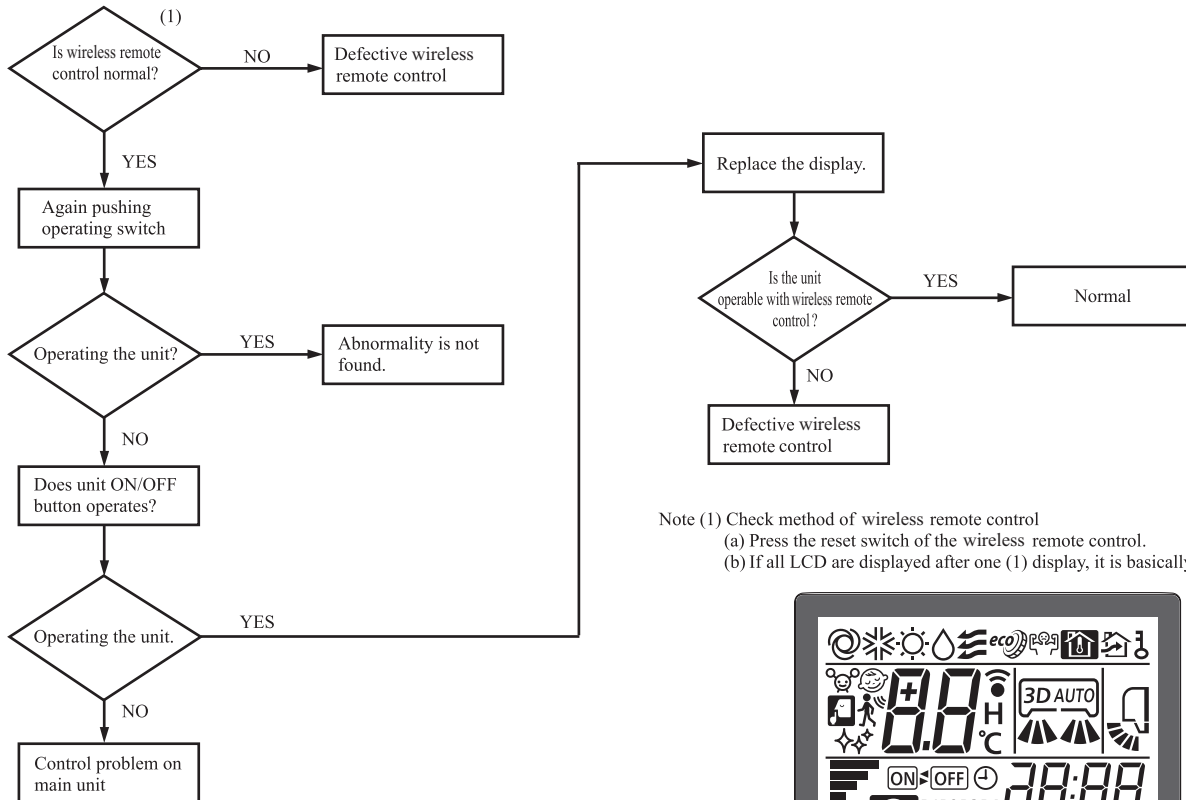
Measuring point	Voltage range when normal
① - ③	DC308 - 336V
④ - ③	DC15V
⑤ - ③	DC several V (4-6V)

2) Fan motor resistance check

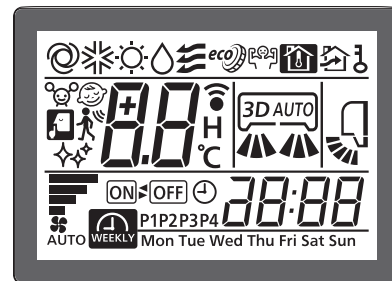
Measuring point	Resistance when normal
① - ③ (Red - Black)	20 MΩ or higher
④ - ③ (White - Black)	20 kΩ or higher

- Notes (1) Remove the fan motor and measure it without power connected to it.
- (2) If the measured value is below the value when the motor is normal, it means that the fan motor is faulty.

(10) How to make sure of wireless remote control

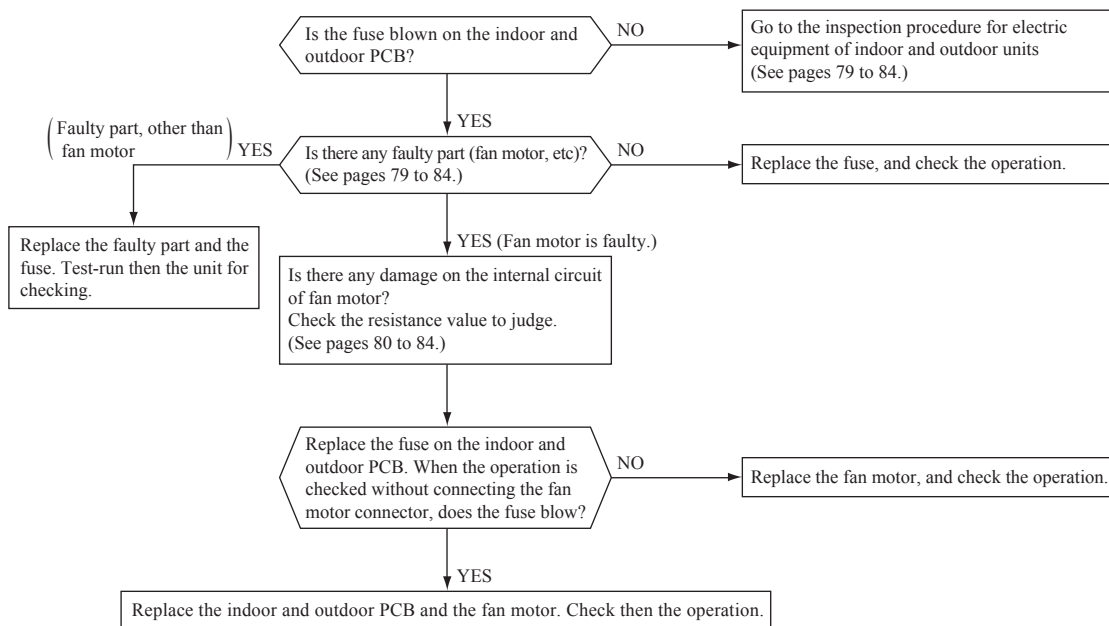


Note (1) Check method of wireless remote control
 (a) Press the reset switch of the wireless remote control.
 (b) If all LCD are displayed after one (1) display, it is basically normal.



◆ Simplified check method of wireless remote control
 It is normal if the signal transmission section of the wireless remote control emits a whitish light at each transmission on the monitor of digital camera.

(11) Inspection procedure for blown fuse on the indoor and outdoor PCB



(12) Outdoor unit inspection points
Models SRC20ZS-S, 25ZS-S, 35ZS-S

◆ Check point of outdoor unit

⚠ WARNING – HIGH VOLTAGE

High voltage is produced in the control box. Don't touch electrical parts in the control box for 5 minutes after the unit is stopped.

◆ Power source and serial signal inspection

- ① to ㉓ : AC 220/230/240V
- ① to ㉒ : AC 220/230/240V
- ㉒ to ③ : Normal if the voltage oscillates between DC 0 and approx. 20V

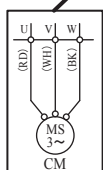
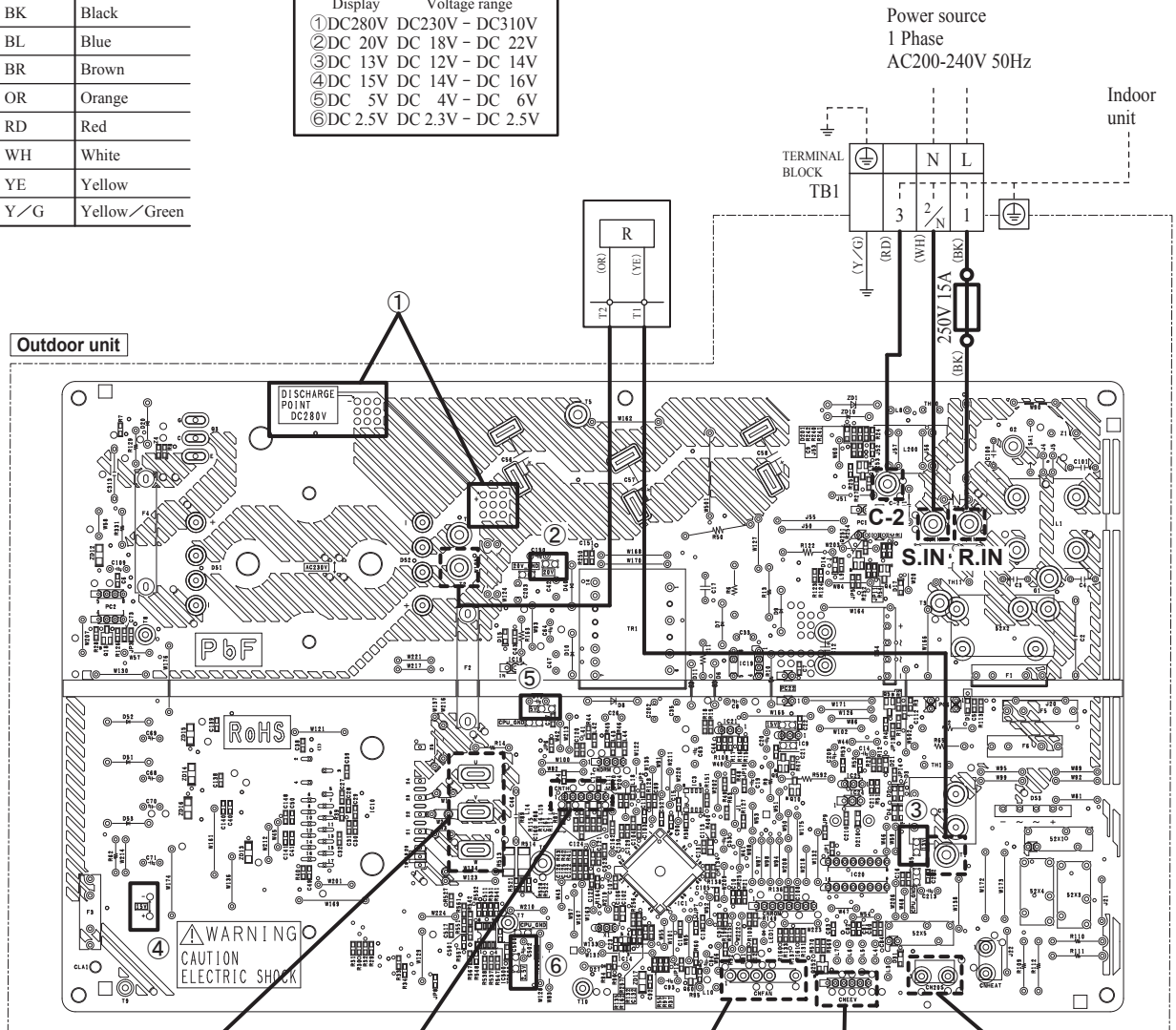
Color symbol

Mark	Color
BK	Black
BL	Blue
BR	Brown
OR	Orange
RD	Red
WH	White
YE	Yellow
Y/G	Yellow/Green

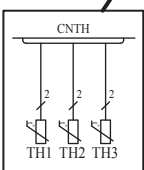
◆ Voltage check in PCB

The normal range is as follows.

- | Display | Voltage range |
|-----------|-------------------|
| ① DC280V | DC230V - DC310V |
| ② DC 20V | DC 18V - DC 22V |
| ③ DC 13V | DC 12V - DC 14V |
| ④ DC 15V | DC 14V - DC 16V |
| ⑤ DC 5V | DC 4V - DC 6V |
| ⑥ DC 2.5V | DC 2.3V - DC 2.5V |

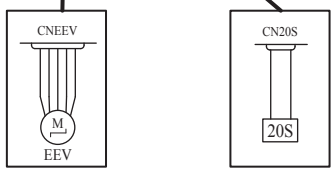


◆ Inspection power transistor
 Remove the fasten terminal and test output voltage



◆ Inspection of resistance valve of sensor
 Remove the connector and check the resistance valve. See the section of sensor characteristics on page 74.

◆ Inspection of outdoor fan motor
 See page 84.



◆ Inspection of electronic expansion valve
 See page 84.

Model SRC50ZS-S

◆ Check point of outdoor unit

⚠ WARNING – HIGH VOLTAGE

High voltage is produced in the control box. Don't touch electrical parts in the control box for 5 minutes after the unit is stopped.

Color symbol

Mark	Color
BK	Black
BL	Blue
RD	Red
WH	White
YE	Yellow
Y/G	Yellow/Green

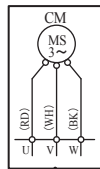
◆ Voltage check in PCB

The normal range is as follows.

Display	Voltage range
① DC 280V	DC 230V – DC 310V
② DC 20V	DC 18V – DC 22V
③ DC 13V	DC 12V – DC 14V
④ DC 15V	DC 14V – DC 16V
⑤ DC 5V	DC 4V – DC 6V
⑥ DC 2.5V	DC 2.3V – DC 2.5V

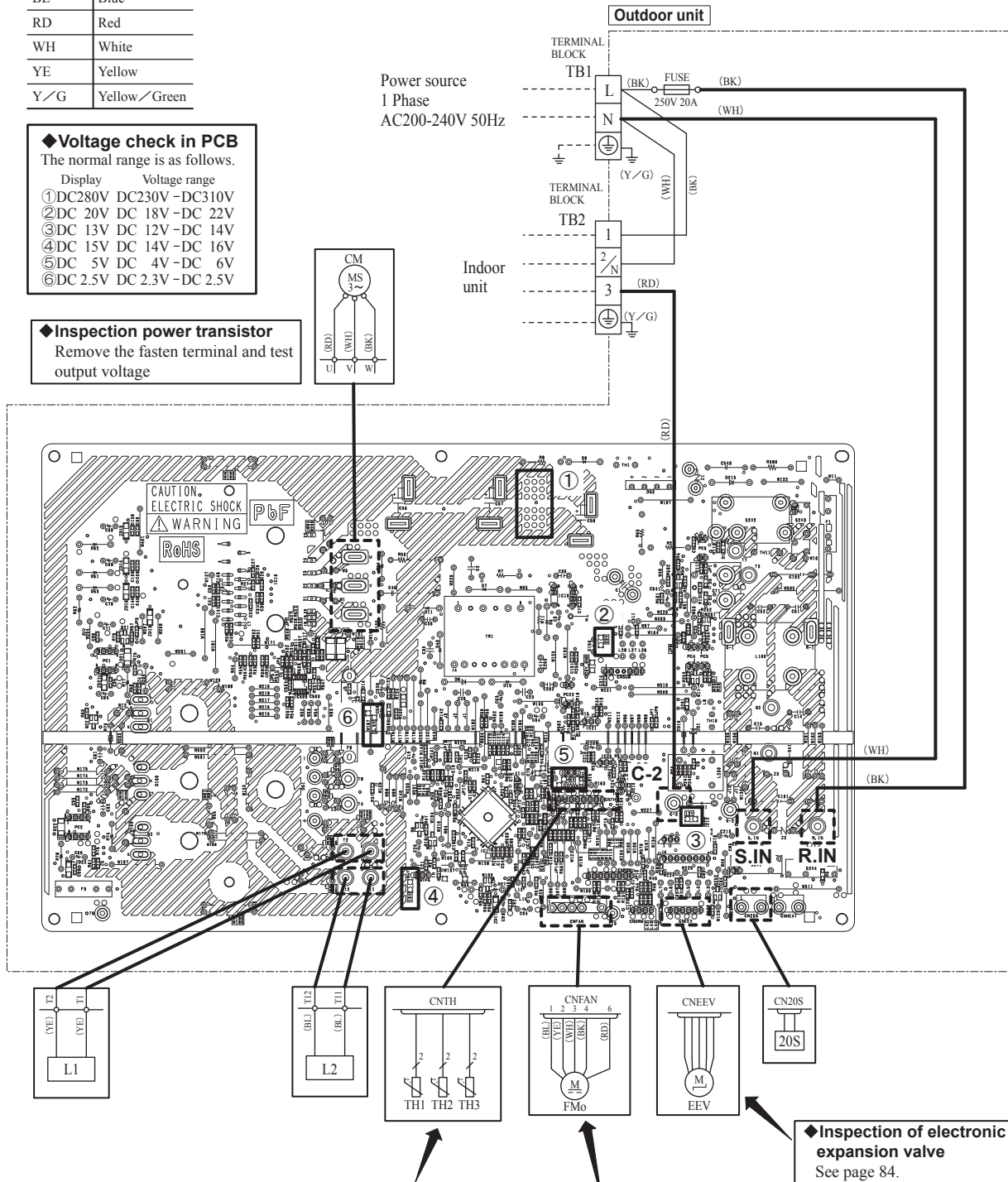
◆ Inspection power transistor

Remove the fasten terminal and test output voltage



◆ Power source and serial signal inspection

- ① to ④ : AC 220/230/240V
- ① to ②/N : AC 220/230/240V
- ②/N to ③ : Normal if the voltage oscillates between DC 0 and approx. 20V



◆ Inspection of resistance valve of sensor
Remove the connector and check the resistance valve.
See the section of sensor characteristics on page 74.

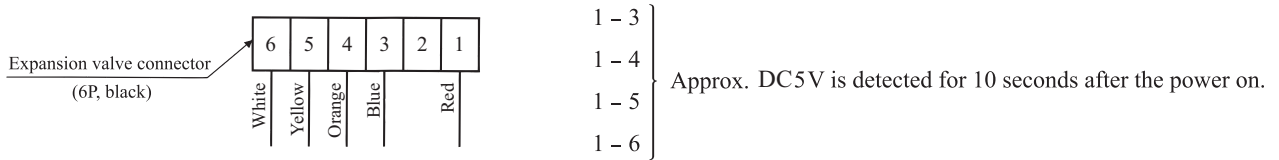
◆ Inspection of outdoor fan motor
See page 84.

◆ Inspection of electronic expansion valve
See page 84.

(a) Inspection of electronic expansion valve

Electronic expansion valve operates for approx. 10 seconds after the power on, in order to determine its aperture. Check the operating sound and voltage during the period of time. (Voltage cannot be checked during operation in which only the aperture change occurs.)

- (i) If it is heard the sound of operating electronic expansion valve, it is almost normal.
- (ii) If the operating sound is not heard, check the output voltage.



- (iii) If voltage is detected, the outdoor PCB is normal.
- (iv) If the expansion valve does not operate (no operating sound) while voltage is detected, the expansion valve is defective.

• Inspection of electronic expansion valve as a separate unit

Measure the resistance between terminals with an analog tester.

Measuring point	Resistance when normal
1-6	46 ± 4Ω (at 20°C)
1-5	
1-4	
1-3	

(b) Outdoor unit fan motor check procedure

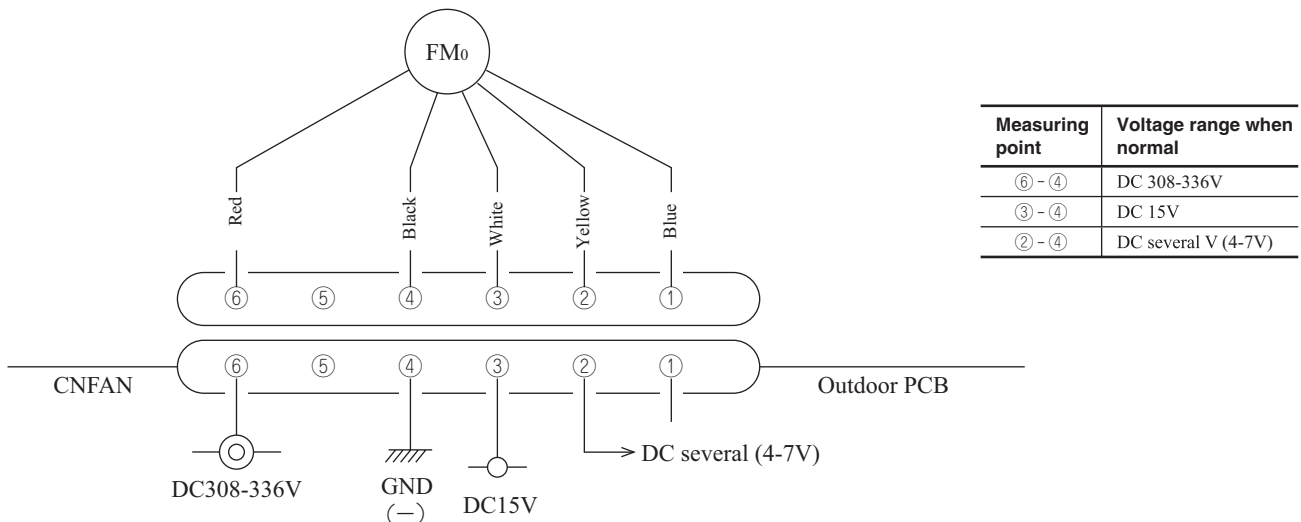
- When the outdoor unit fan motor error is detected, diagnose which of the outdoor unit fan motor or outdoor PCB is defective.
- Diagnose this only after confirming that the indoor unit is normal.

(i) Outdoor PCB output check

- 1) Turn off the power.
- 2) Disconnect the outdoor unit fan motor connector CNFAN.
- 3) When the indoor unit is operated by inserting the power source plug and pressing (ON) the backup switch for more than 5 seconds, if the voltage of pin No. ② in the following figure is output for 30 seconds at 20 seconds after turning “ON” the backup switch, the outdoor PCB is normal but the fan motor is defective.

If the voltage is not detected, the outdoor PCB is defective but the fan motor is normal.

Note (1) The voltage is output 3 times repeatedly. If it is not detected, the indoor unit displays the error message.



(ii) Fan motor resistance check

Measuring point	Resistance when normal
⑥ - ④ (Red - Blue)	20 MΩ or higher
③ - ④ (White - Blue)	20 kΩ or higher

- Notes (1) Remove the fan motor and measure it without power connected to it.
- (2) If the measured value is below the value when the motor is normal, it means that the fan motor is faulty.

11. OPTION PARTS



(1) Wired remote control

(a) Model RC-EX3

PJZ012A131 

1) Safety precautions

- Please read this manual carefully before starting installation work to install the unit properly. Every one of the followings is important information to be observed strictly.

 WARNING	Failure to follow these instructions properly may result in serious consequences such as death, severe injury, etc.
 CAUTION	Failure to follow these instructions properly may cause injury or property damage.

It could have serious consequences depending on the circumstances.

- The following pictograms are used in the text.

	Never do.		Always follow the instructions given.
---	-----------	---	---------------------------------------

- Keep this manual at a safe place where you can consult with whenever necessary. Show this manual to installers when moving or repairing the unit. When the ownership of the unit is transferred, this manual should be given to a new owner.

WARNING



Consult your dealer or a professional contractor to install the unit.

Improper installation made on your own may cause electric shocks, fire or dropping of the unit.



Installation work should be performed properly according to this installation manual.

Improper installation work may result in electric shocks, fire or break-down.



Be sure to use accessories and specified parts for installation work.

Use of unspecified parts may result in drop, fire or electric shocks.



Install the unit properly to a place with sufficient strength to hold the weight.

If the place is not strong enough, the unit may drop and cause injury.



Be sure to have the electrical wiring work done by qualified electrical installer, and use exclusive circuit.

Power source with insufficient and improper work can cause electric shock and fire.



Shut OFF the main power source before starting electrical work.

Otherwise, it could result in electric shocks, break-down or malfunction.



Do not modify the unit.

It could cause electric shocks, fire, or break-down.



Be sure to turn OFF the power circuit breaker before repairing/ inspecting the unit.

Repairing/inspecting the unit with the power circuit breaker turned ON could cause electric shocks or injury.

⚠ WARNING**Do not install the unit in appropriate environment or where inflammable gas could generate, flow in, accumulate or leak.**

If the unit is used at places where air contains dense oil mist, steam, organic solvent vapor, corrosive gas (ammonium, sulfuric compound, acid, etc) or where acidic or alkaline solution, special spray, etc. are used, it could cause electric shocks, break-down, smoke or fire as a result of significant deterioration of its performance or corrosion.

Do not install the unit where water vapor is generated excessively or condensation occurs.

It could cause electric shocks, fire, or break-down.

Do not use the unit in a place where it gets wet, such as laundry room.

It could cause electric shocks, fire, or break-down.

Do not operate the unit with wet hands.

It could cause electric shocks.

Do not wash the unit with water.

It could cause electric shocks, fire, or break-down.

Use the specified cables for wiring, and connect them securely with care to protect electronic parts from external forces.

Improper connections or fixing could cause heat generation, fire, etc.

Seal the inlet hole for remote control cable with putty.

If dew, water, insect, etc. enters through the hole, it could cause electric shocks, fire or break-down.

If dew or water enters the unit, it may cause screen display anomalies.

When installing the unit at a hospital, telecommunication facility, etc., take measures to suppress electric noises.

It could cause malfunction or break-down due to hazardous effects on the inverter, private power generator, high frequency medical equipment, radio communication equipment, etc.

The influences transmitted from the remote control to medical or communication equipment could disrupt medical activities, video broadcasting or cause noise interference.

Do not leave the remote control with its upper case removed.

If dew, water, insect, etc. enters through the hole, it could cause electric shocks, fire or break-down.

⚠ CAUTION**Do not install the remote control at following places.**

- (1) It could cause break-down or deformation of remote control.
 - Where it is exposed to direct sunlight
 - Where the ambient temperature becomes 0 °C or below, or 40 °C or above
 - Where the surface is not flat
 - Where the strength of installation area is insufficient
- (2) Moisture may be attached to internal parts of the remote control, resulting in a display failure.
 - Place with high humidity where condensation occurs on the remote control
 - Where the remote controller gets wet
- (3) Accurate room temperature may not be detected using the temperature sensor of the remote control.
 - Where the average room temperature cannot be detected
 - Place near the equipment to generate heat
 - Place affected by outside air in opening/closing the door
 - Place exposed to direct sunlight or wind from air-conditioner
 - Where the difference between wall and room temperature is large



To connect to a personal computer via USB, use the dedicated software.**Do not connect other USB devices and the remote control at the same time.**

It could cause malfunction or break-down of the remote control/personal computer.

2) Accessories & Prepare on site

Following parts are provided.

Accessories	R/C main unit, wood screw (ø3.5 x 16) 2 pcs, Quick reference
-------------	--

Following parts are arranged at site. Prepare them according to the respective installation procedures.

Item name	Q'ty	Remark
Switch box For 1 piece or 2 pieces (JIS C 8340 or equivalent)	1	These are not required when installing directly on a wall.
Thin wall steel pipe for electric appliance directly on a wall. (JIS C 8305 or equivalent)	As required	
Lock nut, bushing (JIS C 8330 or equivalent)	As required	
Lacing (JIS C 8425 or equivalent)	As required	Necessary to run R/C cable on the wall.
Putty	Suitably	For sealing gaps
Molly anchor	As required	
R/C cable (0.3 mm ² x 2 pcs)	As required	See right table when longer than 100 m

When the cable length is longer than 100 m, the max size for wires used in the R/C case is 0.5 mm². Connect them to wires of larger size near the outside of R/C. When wires are connected, take measures to prevent water, etc. from entering inside.

≤ 200 m	0.5 mm ² x 2 cores
≤ 300m	0.75 mm ² x 2 cores
≤ 400m	1.25 mm ² x 2 cores
≤ 600m	2.0 mm ² x 2 cores

3) Installation place

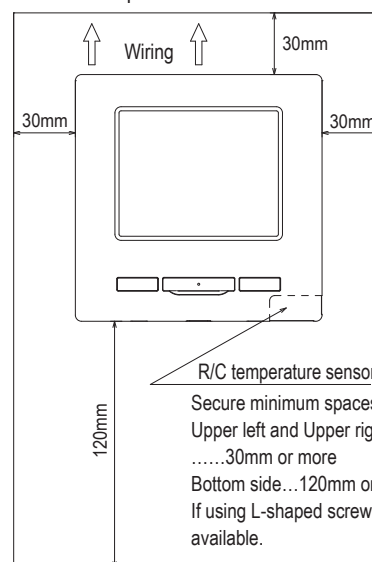
Secure the installation space shown in the figure.

For the installation method, "embedding wiring" or "exposing wiring" can be selected.

For the wiring direction, "Backward", "Upper center" or "Upper left" can be selected.

Determine the installation place in consideration of the installation method and wiring direction.

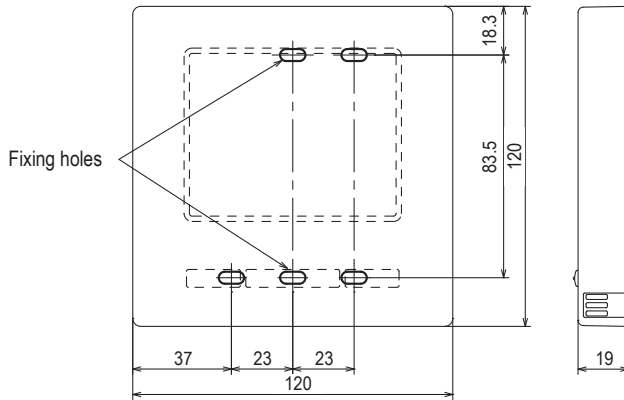
Installation space



4) Installation procedure

Perform installation and wiring work for the remote control according to the following procedure.

Dimensions (Viewed from front)



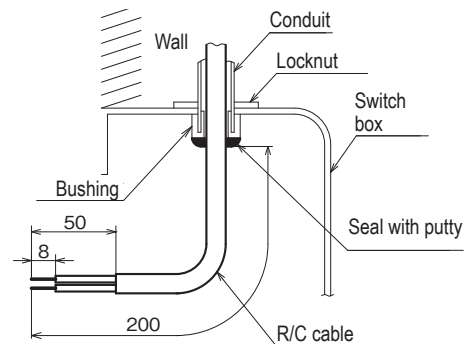
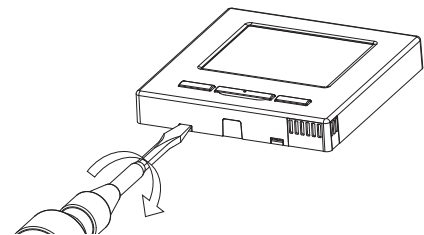
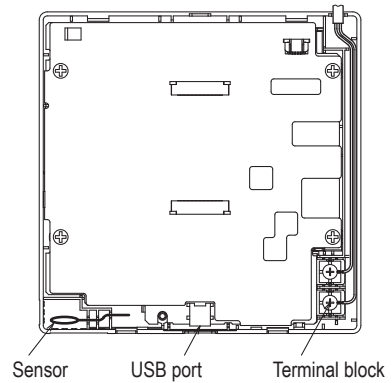
- To remove the upper case from the bottom cases of R/C
- Insert the tip of flat head screwdriver or the like in the recess at the lower part of R/C and twist it lightly to remove. It is recommended that the tip of the screw driver be wrapped with tape to avoid damaging the case.
 - Take care to protect the removed upper case from moisture or dust.

In case of embedding wiring

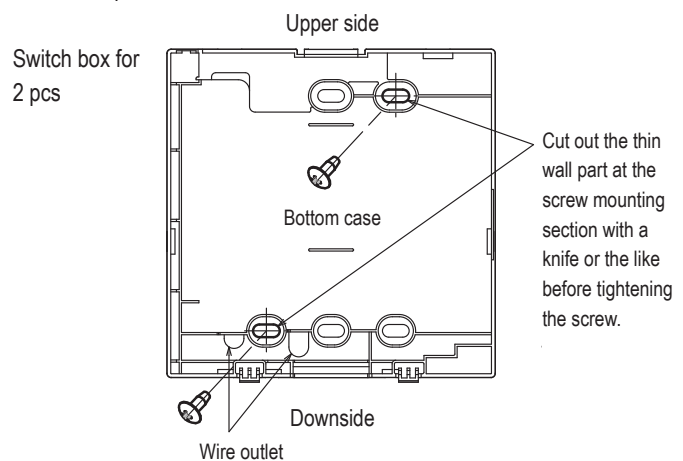
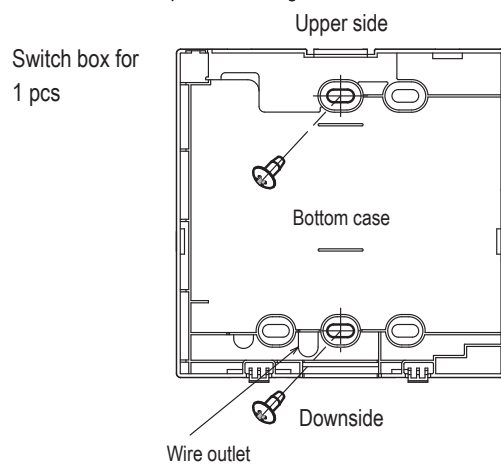
(When the wiring is retrieved "Backward")

- ① Embed the switch box and the R/C wires beforehand. Seal the inlet hole for the R/C wiring with putty.

PCB side (Viewed from rear)



- ② When wires are passed through the bottom case, fix the bottom case at 2 places on the switch box.

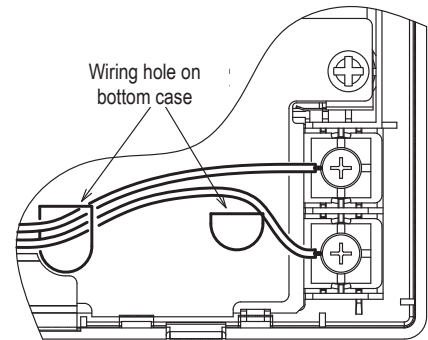
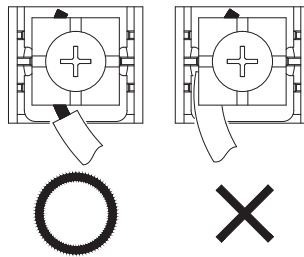


- ③ Connect wires from X and Y terminals of R/C to X and Y terminals of indoor unit. R/C wires (X, Y) have no polarity. Fix wires such that the wires will run around the terminal screws on the top case of R/C.
- ④ Install the upper case with care not to pinch wires of R/C.

Cautions for wire connection

Use wires of no larger than 0.5 mm² for wiring running through the remote control case. Take care not to pinch the sheath.

Tighten by hand (0.7 N·m or less) the wire connection. If the wire is connected using an electric driver, it may cause failure or deformation.

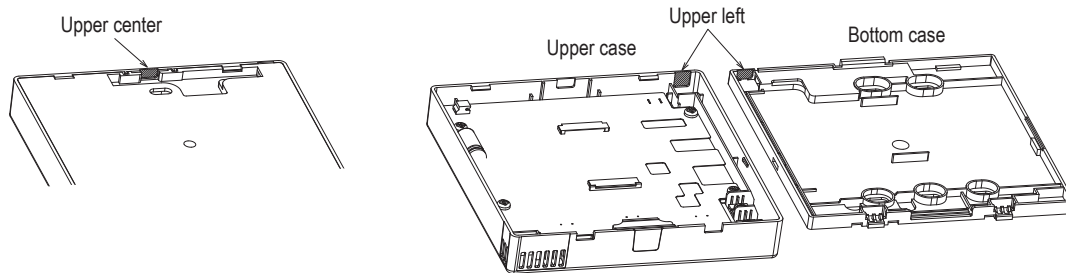


In case of exposing wiring

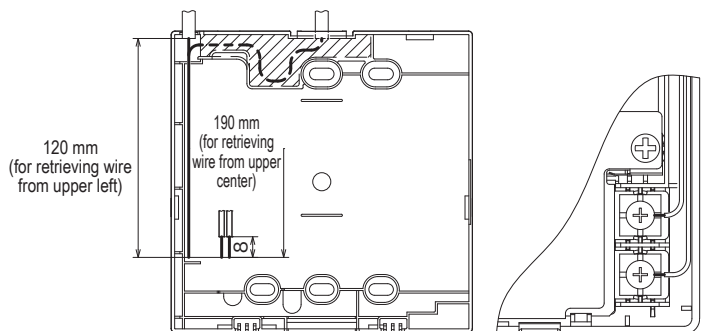
(When the wiring is taken out from the “upper center” or “upper left” of R/C)

- ① Cut out the thin wall sections on the cases for the size of wire.

When taking the wiring out from the upper center, open a hole before separating the upper and bottom cases. This will reduce risk of damaging the PCB and facilitate subsequent work.
When taking the wiring out from the upper left, take care not to damage the PCB and not to leave any chips of cut thin wall inside.



- ② Fix the bottom R/C case on a flat surface with two wood screws.
- ③ In case of the upper center, pass the wiring behind the bottom case. (Hatched section)
- ④ Connect wires from X and Y terminals of R/C to X and Y terminals of indoor unit. R/C wires (X, Y) have no polarity. Fix wires such that the wires will run around the terminal screws on the top case of R/C.
- ⑤ Install the top case with care not to pinch wires of R/C.
- ⑥ Seal the area cut in ① with putty.

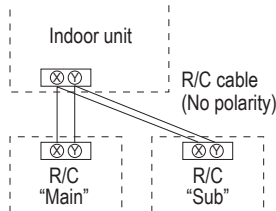


5) Main/Sub setting when more than one remote control are used

Up to two units of R/C can be used at the maximum for 1 indoor unit or 1 group.

One is main R/C and the other is sub R/C.

Operating range is different depending on the main or sub R/C.



Set the "Main" and "Sub" as described at Section 8.

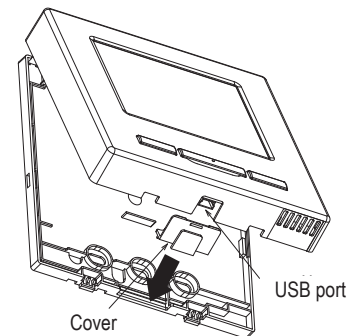
R/C operations		Main	Sub	
Run/Stop, Change set temp, Change flap direction, Auto swing, Change fan speed operations		○	○	
High power operation, Energy-saving operation		○	○	
Silent mode control		○	×	
Useful functions	Individual flap control	○	×	
	Anti draft setting	○	×	
	Timer	○	○	
	Choice setting	○	○	
	Weekly timer	○	×	
	Home leave mode	○	×	
	External ventilation	○	○	
Select the language		○	○	
Energy-saving setting		○	×	
Filter	Filter sign reset	○	○	
User setting	Initial settings		○	○
	Administrator settings	Permission/Prohibition setting	○	×
		Outdoor unit silent mode timer	○	×
		Setting temp range	○	×
		Temp. increment setting	○	×
		Set temp. display	○	○
		R/C display setting	○	○
		Change administrator password	○	○
		Switch function change	○	○

○ : operable × : not operable

R/C operations		Main	Sub		
Service setting	Installation settings	Installation date	○	×	
		Company information	○	○	
		Test run	○	×	
		Static pressure adjustment	○	×	
		Change auto-address	○	×	
		Address setting of main IU	○	×	
		IU back-up function	○	×	
		Infrared sensor (motion sensor) setting	○	×	
		R/C function settings	Main/Sub of R/C	○	○
			Return air temp	○	×
R/C sensor	○		×		
R/C sensor adjustment	○		×		
Operation mode	○		×		
°C / °F	○		×		
Fan speed	○		×		
External input	○		×		
Upper/lower flap control	○		×		
Left/right flap control	○		×		
IU settings	Ventilation setting	○	×		
	Auto-restart	○	×		
	Auto temp. setting	○	×		
	Auto fan speed	○	×		
	Service & Maintenance	IU settings		○	×
			IU address	○	○
		Error display	Next service date	○	×
			Operation data	○	×
			Error history	○	○
			Display/erase anomaly data	○	×
Saving IU settings		Reset periodical check	○	○	
		Erased IU address	○	×	
Special settings		CPU reset	○	○	
		Restore of default setting	○	×	
	Touch panel calibration	○	○		
Indoor unit capacity display	○	×			

Advice: Connection to personal computer

It can be set from a personal computer via the USB port (mini-B).
 Connect after removing the cover for USB port of upper case.
 Replace the cover after use.
 Special software is necessary for the connection.
 For details, view the web site or refer to the engineering data.



Advice: Initializing of password

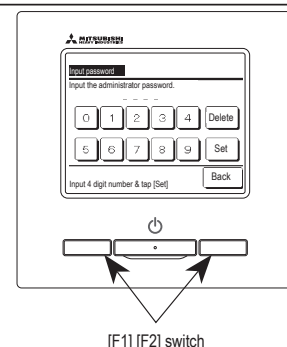
Administrator password (for daily setting items) and service password (for installation, test run and maintenance) are used.

○ The administrator password at factory default is "0000". This setting can be changed (Refer to User's Manual).

If the administrator password is forgotten, it can be initialized by holding down the [F1] and [F2] switches together for five seconds on the administrator password input screen.

○ Service password is "9999", which cannot be changed.

When the administrator password is input, the service password is also accepted.





(b) Model RC-E5

PJA012D730

Read together with indoor unit's installation manual.



⚠ WARNING

- Fasten the wiring to the terminal securely and hold the cable securely so as not to apply unexpected stress on the terminal.
Loose connection or hold will cause abnormal heat generation or fire. 
- Make sure the power source is turned off when electric wiring work.
Otherwise, electric shock, malfunction and improper running may occur. 

⚠ CAUTION

- Do not install the remote control at the following places in order to avoid malfunction.

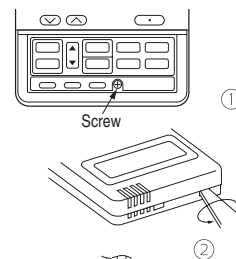
(1) Places exposed to direct sunlight	(4) Hot surface or cold surface enough to generate condensation
(2) Places near heat devices	(5) Places exposed to oil mist or steam directly
(3) High humidity places	(6) Uneven surface


- Do not leave the remote control without the upper case.
In case the upper case needs to be detached, protect the remote control with a packaging box or bag in order to keep it away from water and dust. 

Accessories	Remote control, wood screw (ø3.5×16) 2 pieces
Prepare on site	Remote control cord (2 cores) the insulation thickness in 1mm or more. [In case of embedding cord] Electrical box, M4 screw (2 pieces) [In case of exposing cord] Cord clamp (if needed)

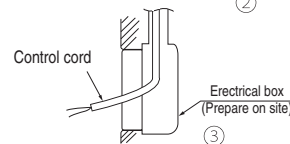
Installation procedure

- ① Open the cover of remote control, and remove the screw under the buttons without fail.
- ② Remove the upper case of remote control.
Insert a flat-blade screwdriver into the dented part of the upper part of the remote control, and wrench slightly.

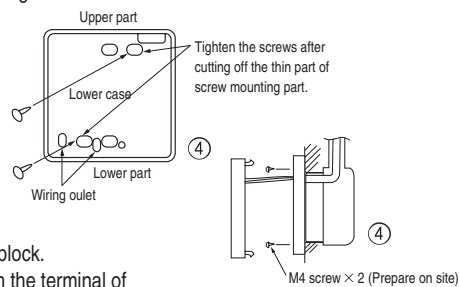
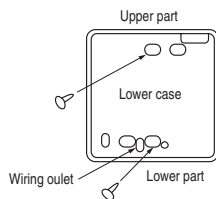


[In case of embedding cord]

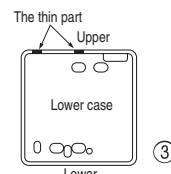
- ③ Embed the electrical box and remote control cord beforehand.



- ④ Prepare two M4 screws (recommended length is 12-16mm) on site, and install the lower case to electrical box. Choose either of the following two positions in fixing it with screws.

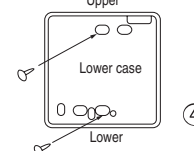


- ⑤ Connect the remote control cord to the terminal block.
Connect the terminal of remote control (X,Y) with the terminal of indoor unit (X,Y). (X and Y are no polarity)
- ⑥ Install the upper case as before so as not to catch up the remote control cord, and tighten with the screws.

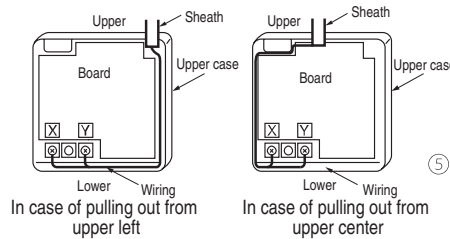


[In case of exposing cord]

- ③ You can pull out the remote control cord from left upper part or center upper part.
Cut off the upper thin part of remote control lower case with a nipper or knife, and grind burrs with a file etc.
- ④ Install the lower case to the flat wall with attached two wooden screws.

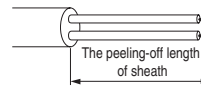


- ⑤ Connect the remote control cord to the terminal block.
 Connect the terminal of remote control (X,Y) with the terminal of indoor unit (X,Y).
 (X and Y are no polarity)
 Wiring route is as shown in the right diagram depending on the pulling out direction.



The wiring inside the remote control case should be within 0.3mm² (recommended) to 0.5mm².
 The sheath should be peeled off inside the remote control case.
 The peeling-off length of each wire is as below.

Pulling out from upper left	Pulling out from upper center
X wiring : 215mm	X wiring : 170mm
Y wiring : 195mm	Y wiring : 190mm



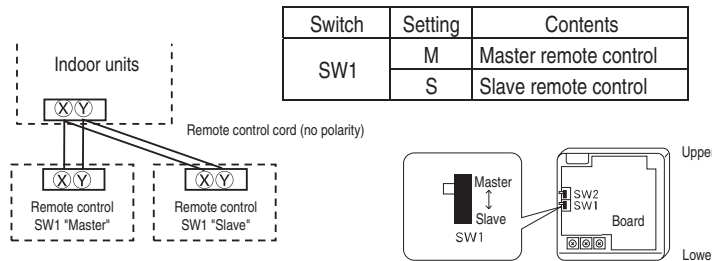
- ⑥ Install the upper case as before so as not to catch up the remote control cord, and tighten with the screws.
 ⑦ In case of exposing cord, fix the cord on the wall with cord clamp so as not to slack.

Installation and wiring of remote control

- ① Wiring of remote control should use 0.3mm² × 2 core wires or cables. (on-site configuration)
 ② Maximum prolongation of remote control wiring is 600 m.
 If the prolongation is over 100m, change to the size below.
 But, wiring in the remote control case should be under 0.5mm². Change the wire size outside of the case according to wire connecting. Waterproof treatment is necessary at the wire connecting section. Be careful about contact failure.
- | | |
|------------|------------------------------------|
| 100 - 200m |0.5mm ² × 2 cores |
| Under 300m |0.75mm ² × 2 cores |
| Under 400m |1.25mm ² × 2 cores |
| Under 600m |2.0mm ² × 2 cores |

Master/ slave setting when more than one remote controls are used

A maximum of two remote controls can be connected to one indoor unit (or one group of indoor units.)



Set SW1 to "Slave" for the slave remote control. It was factory set to "Master" for shipment.
 Note: The setting "Remote control sensor enabled" is only selectable with the master remote control in the position where you want to check room temperature.
 The air-conditioner operation follows the last operation of the remote control regardless of the master/ slave setting of it.

The indication when power source is supplied

When power source is turned on, the following is displayed on the remote control until the communication between the remote control and indoor unit settled.

Master remote control : " WAIT " M
 Slave remote control : " WAIT " S

At the same time, a mark or a number will be displayed for two seconds first.
 This is the software's administration number of the remote control, not an error cord.



When remote control cannot communicate with the indoor unit for half an hour, the below indication will appear.
 Check wiring of the indoor unit and the outdoor unit etc.



The range of temperature setting

When shipped, the range of set temperature differs depending on the operation mode as below.

Heating : 16-30°C (55-86°F)

Except heating (cooling, fan, dry, automatic) : 18-30°C (62-86°F)

● **Upper limit and lower limit of set temperature can be changed with remote control.**

Upper limit setting: valid during heating operation. Possible to set in the range of 20 to 30°C (68 to 86°F).

Lower limit setting: valid except heating (automatic, cooling, fan, dry) Possible to set in the range of 18 to 26°C (62 to 79°F).

When you set upper and lower limit by this function, control as below.

1. When ⑫ TEMP RANGE SET, remote control function of function setting mode is "INDN CHANGE" (factory setting),
 [If upper limit value is set]
 During heating, you cannot set the value exceeding the upper limit.

 [If lower limit value is set]
 During operation mode except heating, you cannot set the value below the lower limit.
2. When ⑫ TEMP RANGE SET, remote control function of function setting mode is "NO INDN CHANGE"
 [If upper limit value is set]
 During heating, even if the value exceeding the upper limit is set, upper limit value will be sent to the indoor unit.
 But, the indication is the same as the temperature set.

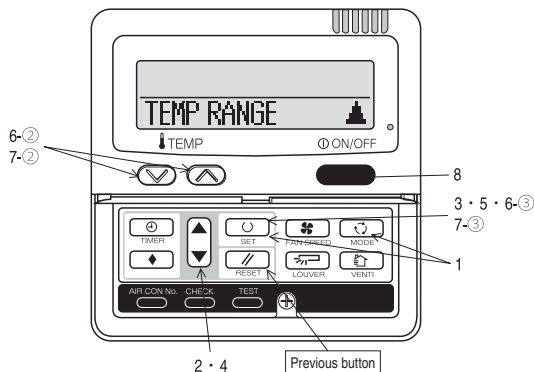
 [If lower limit value is set]
 During except heating, even if the value lower than the lower limit is set, lower limit value will be sent to the indoor unit.
 But, the indication is the same as the temperature set.

● **How to set upper and lower limit value**

1. Stop the air-conditioner, and press (SET) and (MODE) button at the same time for over three seconds .
 The indication changes to "FUNCTION SET ▼".
2. Press button once, and change to the "TEMP RANGE ▲" indication.
3. Press (SET) button, and enter the temperature range setting mode.
4. Select "UPPER LIMIT ▼" or "LOWER LIMIT ▲" by using button.
5. Press (SET) button to fix.
6. When "UPPER LIMIT ▼" is selected (valid during heating)
 - ① Indication: " SET UP" → "UPPER 30°C "
 - ② Select the upper limit value with temperature setting button . Indication example: "UPPER 26°C " (blinking)
 - ③ Press (SET) button to fix. Indication example: "UPPER 26°C" (Displayed for two seconds)
 After the fixed upper limit value displayed for two seconds, the indication will return to "UPPER LIMIT ▼".
7. When "LOWER LIMIT ▲" is selected (valid during cooling, dry, fan, automatic)
 - ① Indication: " SET UP" → "LOWER 18°C "
 - ② Select the lower limit value with temperature setting button . Indication example: "LOWER 24°C " (blinking)
 - ③ Press (SET) button to fix. Indication for example: "LOWER 24°C" (Displayed for two seconds)
 After the fixed lower limit value displayed for two seconds, the indication will return to "LOWER LIMIT ▼".
8. Press button to finish.

• It is possible to finish by pressing button on the way, but unfinished change of setting is unavailable.

• During setting, if you press (RESET) button, you return to the previous screen.



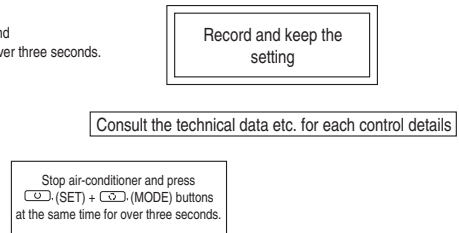
The functional setting

● The initial function setting for typical using is performed automatically by the indoor unit connected, when remote control and indoor unit are connected.
 As long as they are used in a typical manner, there will be no need to change the initial settings.
 If you would like to change the initial setting marked "○", set your desired setting as for the selected item.
 The procedure of functional setting is shown as the following diagram.

[Flow of function setting]

Start : Stop air-conditioner and press "○" (SET) and "◀▶" (MODE) buttons at the same time for over three seconds.
 Finalize : Press "○" (SET) button.
 Reset : Press "⏮" (RESET) button.
 Select : Press "▲▼" button.
 End : Press "ON/OFF" button.

It is possible to finish above setting on the way, and unfinished change of setting is unavailable.
 "○": Initial settings
 "※": Automatic criterion



To next page

FUNCTION ▼ (Remote control function)

Function	setting	
01 ESP SET	ESP VALID	○ Validate setting of ESP: External Static Pressure
	ESP INVALID	○ Invalidate setting of ESP
02 AUTO RUN SET	AUTO RUN ON	※ Automatic operation is impossible
	AUTO RUN OFF	※ Automatic operation is impossible
03 TEMP SW	VALID	○ Temperature setting button is not working
	INVALID	○ Temperature setting button is not working
04 MODE SW	VALID	○ Mode button is not working
	INVALID	○ Mode button is not working
05 ON/OFF SW	VALID	○ On/Off button is not working
	INVALID	○ On/Off button is not working
06 FAN SPEED SW	VALID	○ Fan speed button is not working
	INVALID	○ Fan speed button is not working
07 LOUVER SW	VALID	○ Louver button is not working
	INVALID	○ Louver button is not working
08 TIMER SW	VALID	○ Timer button is not working
	INVALID	○ Timer button is not working
*09 SENSOR SET	SENSOR OFF	○ Remote sensor is not working.
	SENSOR ON	○ Remote sensor is working.
	SENSOR +3.0℃	○ Remote sensor is working, and to be set for producing +3.0°C increase in temperature.
	SENSOR +2.0℃	○ Remote sensor is working, and to be set for producing +2.0°C increase in temperature.
	SENSOR +1.0℃	○ Remote sensor is working, and to be set for producing +1.0°C increase in temperature.
	SENSOR -1.0℃	○ Remote sensor is working, and to be set for producing -1.0°C increase in temperature.
	SENSOR -2.0℃	○ Remote sensor is working, and to be set for producing -2.0°C increase in temperature.
10 AUTO RESTART	INVALID	○
	VALID	○
*11 VENT LINK SET	NO VENT	○ In case of Single split series, by connecting ventilation device to CnT of the indoor printed circuit board (in case of VRF series, by connecting it to CnD of the indoor printed circuit board), the operation of ventilation device is linked with the operation of indoor unit.
	VENT LINK	○ In case of Single split series, by connecting ventilation device to CnT of the indoor printed circuit board (in case of VRF series, by connecting it to CnD of the indoor printed circuit board), you can operate /stop the ventilation device independently by (VENT) button.
	NO VENT LINK	○ In case of Single split series, by connecting ventilation device to CnT of the indoor printed circuit board (in case of VRF series, by connecting it to CnD of the indoor printed circuit board), you can operate /stop the ventilation device independently by (VENT) button.
12 TEMP RANGE SET	INDON CHANGE	○ If you change the range of set temperature, the indication of set temperature will vary following the control.
	NO INDON CHANGE	○ If you change the range of set temperature, the indication of set temperature will not vary following the control, and keep the set temperature.
13 L/FAN	HI-HLD-LO	※ Air flow of fan becomes of [HI-HLD-LO] or the four speed of [HI-HLD-LO].
	HI-LO	※ Air flow of fan becomes of [HI-LO].
	HI-HLD	※ Air flow of fan becomes of [HI-HLD].
	1 FAN SPEED	※ Air flow of fan is fixed at one speed.
14 POSITION	POSITION STOP	○ If you change the remote control function "14 POSITION", you must change the indoor function "04 POSITION" accordingly. You can select the louver stop position in the four.
	FREE STOP	○ The louver can stop at any position.
15 MODEL TYPE	HEAT PUMP	※
	COOLING ONLY	※
16 EXTERNAL CONTROL SET	INDIVIDUAL	○ If you input signal into CnT of the indoor printed circuit board from external, the indoor unit will be operated independently according to the input from external.
	FOR ALL UNITS	○ If you input into CnT of the indoor printed circuit board from external, all units which connect to the same remote control are operated according to the input from external.
17 ROOM TEMP INDICATION SET	INDICATION OFF	○ In normal working indication, indoor unit temperature is indicated instead of air flow.
	INDICATION ON	○ In normal working indication, indoor unit temperature is indicated instead of air flow. (Only the master remote control can be indicated.)
18 INDICATION	INDICATION ON	○ Heating preparation indication should not be indicated.
	INDICATION OFF	○ Heating preparation indication should not be indicated.
19 °F SET	°C	○ Temperature indication is by degree C
	°F	○ Temperature indication is by degree F

To next page

Note (1)*The mark cannot use SRK series.

ON/OFF button (finished)

Note 1: The initial setting marked "※" is decided by connected indoor and outdoor unit, and is automatically defined as following table.

Function No.	Item	Default	Model
Remote control function02	AUTO RUN SET	AUTO RUN ON	"Auto-RUN" mode selectable indoor unit.
		AUTO RUN OFF	Indoor unit without "Auto-RUN" mode
Remote control function06	FAN SPEED SW	INVALID	Indoor unit with two or three step of air flow setting
		INVALID	Indoor unit with only one of air flow setting
Remote control function07	LOUVER SW	VALID	Indoor unit with automatically swing louver
		INVALID	Indoor unit without automatically swing louver
Remote control function13	I/U FAN	HI-MED-LO	Indoor unit with three step of air flow setting
		HI-LO	Indoor unit with two step of air flow setting
		1 FAN SPEED	Indoor unit with only one of air flow setting
Remote control function15	MODEL TYPE	HEAT PUMP	Heat pump unit
		COOLING ONLY	Exclusive cooling unit

Note 3: As for plural indoor unit, set indoor functions to each master and slave indoor unit.
 But only master indoor unit is received the setting change of indoor unit function "05 EXTERNAL INPUT" and "06 PERMISSION / PROHIBITION".

From previous page

Indoor unit No. are indicated only when plural indoor units are connected.

To set other indoor unit, press [AIR CON No.] button, which allows you to go back to the indoor unit selection screen (for example: I/U 000 ▲).

Function	setting	※
*02 FAN SPEED SET	STANDARD HIGH SPEED 1 HIGH SPEED 2	※ ※ ※
*03 FILTER SIGN SET	INDICATION OFF TYPE 1 TYPE 2 TYPE 3 TYPE 4	
*04 POSITION	POSITION STOP FREE STOP	
*05 EXTERNAL INPUT	LEVEL INPUT PULSE INPUT	
*06 PERMISSION/PROHIBITION	INVALID VALID	
*07 EMERGENCY STOP	INVALID VALID	
*08 ※ SP OFFSET	OFFSET +3.0℃ OFFSET +2.0℃ OFFSET +1.0℃ NO OFFSET	
*09 RETURN AIR TEMP	OFFSET +2.0℃ OFFSET +1.5℃ OFFSET +1.0℃ NO OFFSET OFFSET -1.0℃ OFFSET -1.5℃ OFFSET -2.0℃	
*10 ※ FAN CONTROL	LOW FAN SPEED SET FAN SPEED INTERMITTENCE FAN OFF	
*11 FROST PREVENTION TEMP	TEMP HIGH TEMP LOW	
*12 FROST PREVENTION CONTROL	FAN CONTROL ON FAN CONTROL OFF	
*13 DRAIN PUMP LINK	※○ ※○AND※ ※○AND※AND※ ※○AND※	
*14 ※ FAN REMAINING	NO REMAINING 0.5 HOUR 1 HOUR 6 HOUR	
*15 ※ FAN REMAINING	NO REMAINING 0.5 HOUR 2 HOUR 6 HOUR	
*16 ※ FAN INTERMITTENCE	NO REMAINING 2min OFF 5min ON 5min OFF 5min ON	
*17 PRESSURE CONTROL	STANDARD TYPE 1	※ ※

Note2: Fan setting of "HIGH SPEED"

Fan tap	Indoor unit air flow setting				
	UH - Hi - Me - Lo	Hi - Me - Lo	Hi - Lo	Hi - Me	
FAN SPEED SET	STANDARD	UH - Hi - Me - Lo	Hi - Me - Lo	Hi - Lo	Hi - Me
	HIGH SPEED1, 2	UH - UH - Hi - Me	UH - Hi - Me	UH - Me	UH - Hi

Initial function setting of some indoor unit is "HIGH SPEED".
 4 speed is not able to be set with wireless remote control.

The filter sign is indicated after running for 180 hours.
 The filter sign is indicated after running for 600 hours.
 The filter sign is indicated after running for 1000 hours.
 The filter sign is indicated after running for 1000 hours, then the indoor unit will be stopped by compulsion after 24 hours.
 If you change the indoor function "04 POSITION", you must change the remote control function "14 POSITION" accordingly.
 You can select the lower stop position in the four.
 The louver can stop at any position.
 Permission/prohibition control of operation will be valid.
 With the VRF series, it is used to stop all indoor units connected with the same outdoor unit immediately.
 When stop signal is inputted from remote on-off terminal "CnT-6", all indoor units are stopped immediately.

To be reset for producing +3.0℃ increase in temperature during heating.
 To be reset for producing +2.0℃ increase in temperature during heating.
 To be reset for producing +1.0℃ increase in temperature during heating.
 To be reset producing +2.0℃ increase in return air temperature of indoor unit.
 To be reset producing +1.5℃ increase in return air temperature of indoor unit.
 To be reset producing +1.0℃ increase in return air temperature of indoor unit.
 To be reset producing -1.0℃ increase in return air temperature of indoor unit.
 To be reset producing -1.5℃ increase in return air temperature of indoor unit.
 To be reset producing -2.0℃ increase in return air temperature of indoor unit.

When heating thermostat is OFF, fan speed is low speed.
 When heating thermostat is OFF, fan speed is set speed.
 When heating thermostat is OFF, fan speed is operated intermittently.
 When heating thermostat is OFF, the fan is stopped.
 When the remote sensor is working, "FAN OFF" is set automatically.
 Do not set "FAN OFF" when the indoor unit's sensor is working.

Change of indoor heat exchanger temperature to start frost prevention control.

Working only with the single split series.
 To control frost prevention, the indoor fan tap is raised.

Drain pump is run during cooling and dry.
 Drain pump is run during cooling, dry and heating.
 Drain pump is run during cooling, dry, heating and fan.
 Drain pump is run during cooling, dry and fan.

After cooling is stopped, the fan does not perform extra operation.
 After cooling is stopped, the fan perform extra operation for half an hour.
 After cooling is stopped, the fan perform extra operation for an hour.
 After cooling is stopped, the fan perform extra operation for six hours.

After heating is stopped or heating thermostat is OFF, the fan does not perform extra operation.
 After heating is stopped or heating thermostat is OFF, the fan perform extra operation for half an hour.
 After heating is stopped or heating thermostat is OFF, the fan perform extra operation for two hours.
 After heating is stopped or heating thermostat is OFF, the fan perform extra operation for six hours.

During heating is stopped or heating thermostat is OFF, the fan perform intermittent operation for five minutes with low fan speed after twenty minutes' OFF.
 During heating is stopped or heating thermostat is OFF, the fan perform intermittent operation for five minutes with low fan speed after five minutes' OFF.

Connected "OA Processing" type indoor unit, and is automatically defined.

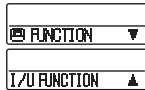
From previous page

How to set function

1. Stop air-conditioner and press (SET) (MODE) buttons at the same time for over three seconds, and the "FUNCTION SET ▼" will be displayed.



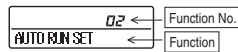
2. Press (SET) button.
3. Make sure which do you want to set, "FUNCTION ▼" (remote control function) or "I/U FUNCTION ▲" (indoor unit function).
4. Press ▲ or ▼ button.
Select "FUNCTION ▼" (remote control function) or "I/U FUNCTION ▲" (indoor unit function).



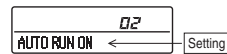
5. Press (SET) button.

6. 【On the occasion of remote control function selection】

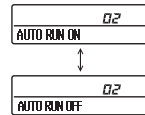
- ① "DATA LOADING" (Indication with blinking)
↓
Display is changed to "01 ESP SET".
- ② Press ▲ or ▼ button.
"No. and function" are indicated by turns on the remote control function table, then you can select from them.
(For example)



- ③ Press (SET) button.
The current setting of selected function is indicated.
(for example) "AUTO RUN ON" ← If "02 AUTO RUN SET" is selected



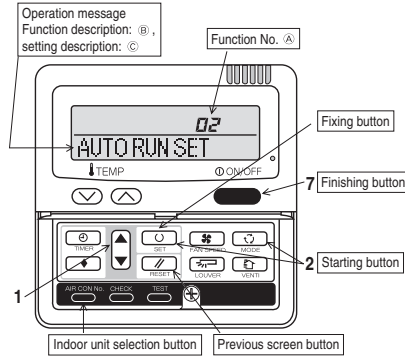
- ④ Press ▲ or ▼ button.
Select the setting.



- ⑤ Press (SET) button.
"SET COMPLETE" will be indicated, and the setting will be completed.
Then after "No. and function" indication returns, Set as the same procedure if you want to set continuously, and if to finish, go to 7.



7. Press (ON/OFF) button.
Setting is finished.

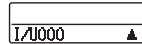


【On the occasion of indoor unit function selection】

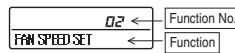
- ① "DATA LOADING" (Blinking for 2 to 23 seconds to read the data)
↓
Indication is changed to "02 FAN SPEED SET".
Go to ②.

【Note】

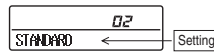
- (1) If plural indoor units are connected to a remote control, the indication is "I/U 000" (blinking) ← The lowest number of the indoor unit connected is indicated.



- ② Press ▲ or ▼ button.
Select the number of the indoor unit you are to set
If you select "ALL UNIT ▼", you can set the same setting with all unites.
- ③ Press (SET) button.
- ④ Press ▲ or ▼ button.
"No. and function" are indicated by turns on the indoor unit function table, then you can select from them.
(For example)



- ⑤ Press (SET) button.
The current setting of selected function is indicated.
(For example) "STANDARD" ← If "02 FAN SPEED SET" is selected.



- ④ Press ▲ or ▼ button.
Select the setting.
- ⑤ Press (SET) button.
"SET COMPLETE" will be indicated, and the setting will be completed.
Then after "No. and function" indication returns, set as the same procedure if you want to set continuously, and if to finish, go to 7.



※ When plural indoor units are connected to a remote control, press the (AIR CON No.) button, which allows you to go back to the indoor unit selection screen. (example "I/U 000 ▲")

- It is possible to finish by pressing (ON/OFF) button on the way, but unfinished change of setting is unavailable.
- During setting, if you press (RESET) button, you return to the previous screen.
- Setting is memorized in the control and it is saved independently of power failure.

【How to check the current setting】

When you select from "No. and function" and press set button by the previous operation, the "Setting" displayed first is the current setting.
(But, if you select "ALL UNIT ▼", the setting of the lowest number indoor unit is displayed.)

(2) Interface kit (SC-BIKN-E)

RKZ012A088B

Accessories included in package

Be sure to check all the accessories included in package.

No.	Part name	Quantity
①	Indoor unit's connection cable (cable length: 1.8m)	1
②	Wood screws (for mounting the interface: ø4x 25)	2
③	Tapping screws (for the cable clamp and the interface mounting bracket)	3
④	Interface mounting bracket	1
⑤	Cable clamp (for the indoor unit's connection cable)	1
⑥*	CNT terminal connection cable (total cable length: 0.5m)	1

* SC-BIKN-EA only

Safety precautions

Before use, please read these Safety Precautions thoroughly before installation.

- All the cautionary items mentioned below are important safety related items to be taken into consideration, so be sure to observe them at all times.

Warning Incorrect installation could lead to serious consequences such as death, major injury or environmental destruction.

- Symbols used in these precautions

! Always go along these instruction.

- After completed installation, carry out trial operation to confirm no anomaly, and ask the user to keep this installation manual in a good place for future reference.

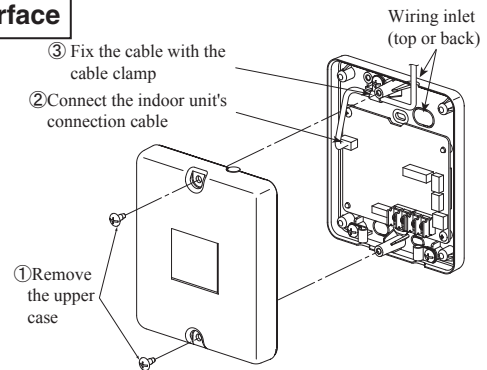
WARNING



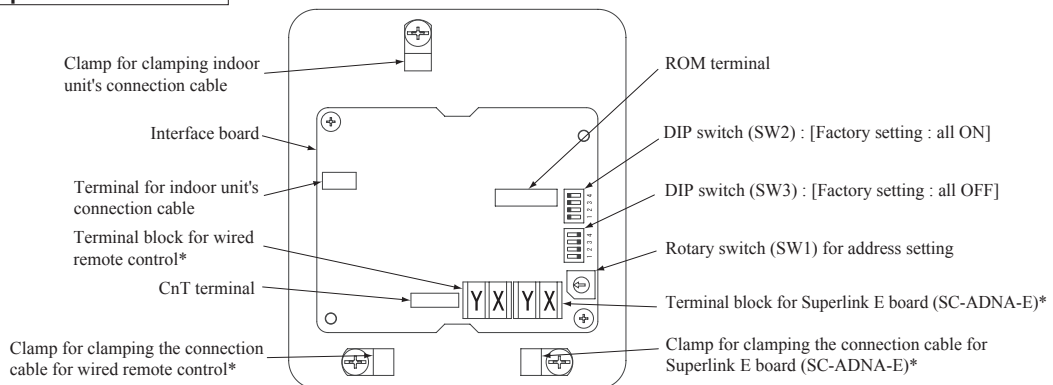
- **Installation must be carried out by a qualified installer.**
If you install it by yourself, it may cause an electric shock, fire and personal injury, as a result of a system malfunction.
- **Install it in full accordance with the instruction manual.**
Incorrect installation may cause an electric shock, fire and personal injury.
- **Electrical work must be carried out by a qualified electrician in accordance with the technical standard for electrical equipment, the indoor wiring standard and this instruction manual.**
Incorrect installation may cause an electric shock, fire and personal injury.
- **Use the specific cables for wiring. And connect all the cables to terminals or connectors securely and clamp them with cable clamps in order for external forces not to be transmitted to the terminals directly.**
Incomplete connection may cause malfunction, and lead to heat generation and fire.
- **Use the original accessories and specified components for installation.**
If the parts other than those prescribed by us are used, it may cause an electric shock, fire and personal injury.

Connecting the indoor unit's connection cable to the interface

- ① Remove the upper case of the interface.
 - Remove 2 screws from the interface casing before removal of upper casing.
- ② Connect the indoor unit's connection cable to the interface.
 - Connect the connector of the indoor unit connection cable to the connector on the interface's circuit board.
- ③ Fix the indoor unit's connection cable with the cable clamp.
 - Cable can be brought in from the top or from the back.
 - Cut out the punch-outs for the connection cables running into the casing with cutter.
- ④ Connect the indoor unit's connection cable to the indoor control PCB.
 - Connect the indoor unit's connection cable to the indoor control PCB securely.
 - Clamp the connection cable to the indoor control box securely with the cable clamp provided as an accessory.
 - Regarding the cable connection to the indoor unit, refer to the instruction manual for indoor unit.



Name of each part of the interface



*Either the connection cables of Superlink E board (SC-ADNA-E) or of wired remote control is connectable.

Switch	Setting	Function	Switch	Setting	Function
SW2-1	ON**	CnT level input	SW2-3	ON**	External input (CnT input)
	OFF	CnT pulse input		OFF	Operation permission/prohibition (CnT input)
SW2-2	ON**	Wired remote control : Enable	SW2-4	ON**	Annual cooling : Enable***
	OFF	Wired remote control : Disable		OFF	Annual cooling : Disable***

** Factory setting

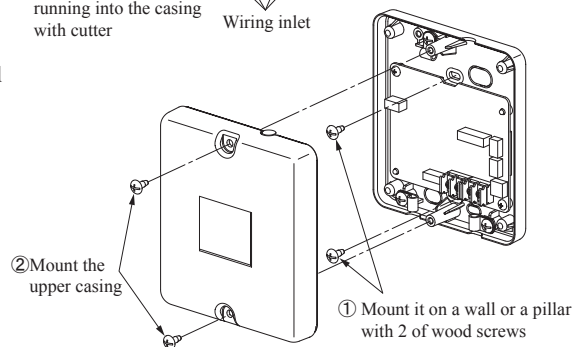
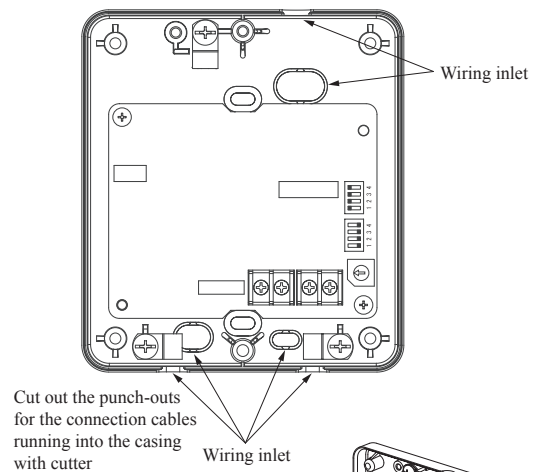
*** Indoor fan control at low outdoor air temperature in cooling

Installation of the interface

- Install the interface within the range of the connection cable length from the indoor unit. (approximately 1.8m)
- Be sure not to extend the connection cable on site. If the connection cable is extended, malfunction may occur.
- Fix the interface on the wall, pillar or the like.
- Do not install the interface and wired remote control at the following places.
 - Places exposed to direct sunlight
 - Places near heating devices
 - High humidity places
 - Surfaces where are enough hot or cold to generate condensation
 - Places exposed to oil mist or steam directly
 - Uneven surface

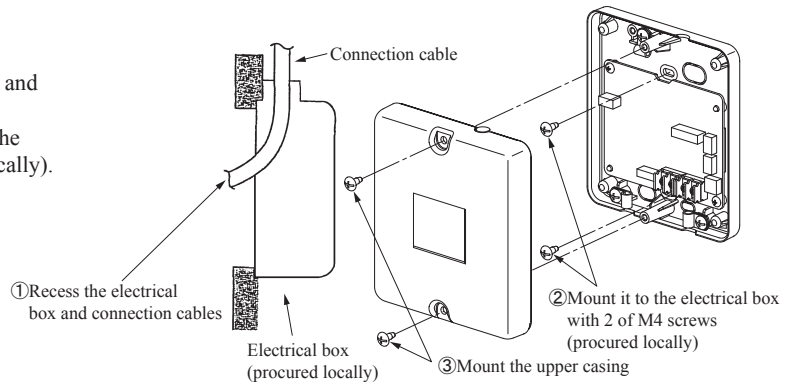
Mounting the interface directly on a wall

- ① Mount the lower casing of the interface on a flat surface with wood screws provided as standard accessory.
- ② Mount the upper casing.



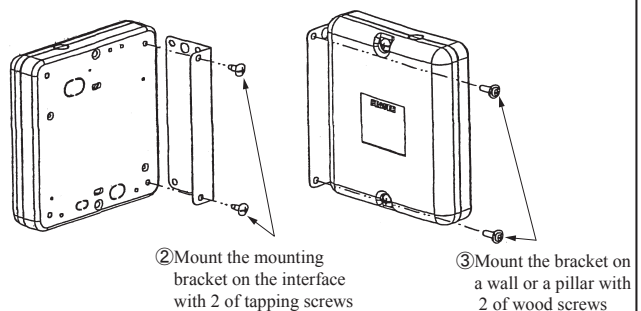
Recessing the interface in the wall

- ① Recess the electrical box (procured locally) and connection cables in the wall.
- ② Mount the lower casing of the interface to the electrical box with M4 screws (procured locally).
- ③ Mount the upper casing.



Mounting the interface with the mounting bracket

- ① Mount the upper casing.
- ② Mount the mounting bracket to the interface with tapping screws provided as standard accessory.
- ③ Mount the mounting bracket on wall or the like with wood screws provided as standard accessory.



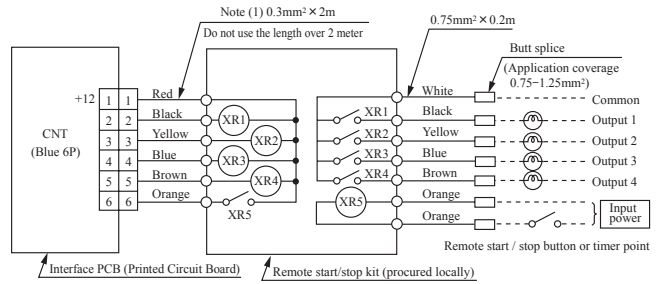
Installation check items

- Are the connection cables connected securely to the terminal blocks and connectors?
- Are the thickness and length of the connection cables conformed with the standard?

Functions of CnT connector

It is available to operate the air-conditioning unit and to monitor the operation status with the external control unit (remote display) by sending the input/output signal through CnT connector on the indoor control PCB.

- ① Connect a external remote control unit (procured locally) to CnT terminal.
- ② In case of the pulse input, switch OFF the DIP switch SW2-1 on the interface PCB.
- ③ When setting operation permission/prohibition mode, switch OFF the DIP switch SW2-3 on the interface PCB.



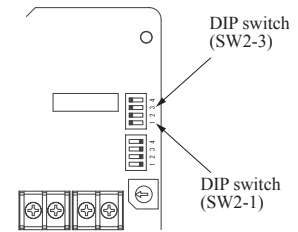
Input/Output	Function	Output signal		Content
		Relay	ON/OFF	
Output 1	Operation output	XR1	ON	During air-conditioner operation
Output 2	Heating output	XR2	ON	During heating operation
Output 3	Compressor operation output	XR3	ON	During compressor running
Output 4	Malfunction output	XR4	ON	During anomalous stop

- XR1-4 are for the DC 12V relay
- XR5 is a DC 12/24V or AC 220-240V relay
- CnT connector (local) maker, model

Connector	Molex	5264-06
Terminals	Molex	5263T

Input/Output	Function	SW2-1		SW2-3		Content	Air-conditioner	Operation by remote control	
		Setting	Setting	Input signal Level/Pulse	XR5				
Input	External control input	ON*	Level input	ON*	Level	OFF→ON	External input	ON	Allowed
				ON→OFF		OFF			
		OFF	OFF	OFF→ON	Operation permission	OFF	Not allowed		
		OFF	ON→OFF	ON→OFF	Operation prohibition	OFF			
Output	Pulse input	ON*	Pulse input	ON*	Pulse	OFF→ON	External input	OFF→ON	Allowed
				ON→OFF		ON			
		OFF	OFF	OFF→ON	Operation permission	ON	Not allowed		
		OFF	ON→OFF	ON→OFF	Operation prohibition	OFF			

* Factory setting



In case of the eco touch remote control (RC-EX3 or later model), the external outputs (1 – 4) and the external input can be changed using the function setting of eco touch remote control. For the setting method, refer to the installation manual.

Also refer to the technical manual to know how it is adapted to the function setting for the external outputs and input, at the indoor unit side.

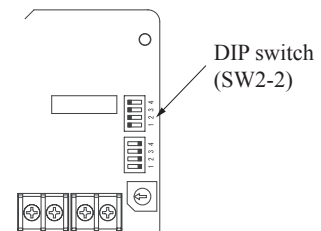
Connection of Superlink E board

Regarding the connection of Superlink E board, refer to the instruction manual of Superlink E board.

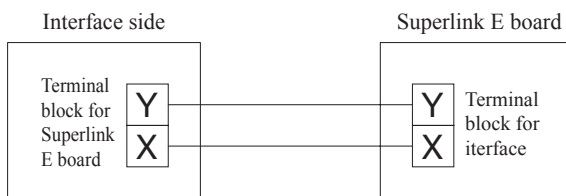
For electrical work, power source for all of units in the Superlink system must be turned OFF.

- ① Switch ON the DIP switch SW2-2 (Factory setting: ON) on the interface PCB.

Caution: Wireless remote control attached to the indoor unit can be used in parallel, after connecting the wired remote control. However, some of functions other than the basic functions such as RUN/STOP, Temperature Setting, etc. may not work properly and may have a mismatch between the display and the actual behavior.



- ② Wiring connection between the interface and the Superlink E board.



No.	Names of recommended signal wires
1	Shielded wire
2	Vinyl cabtyre round cord
3	Vinyl cabtyre round cable
4	Vinyl insulated wire vinyl sheathed cable for control

Within 200 m 0.5 mm² × 2 cores
 Within 300 m 0.75 mm² × 2 cores
 Within 400 m 1.25 mm² × 2 cores
 Within 600 m 2.0 mm² × 2 cores

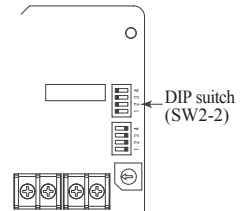
- ③ Clamp the connection cables with cable clamps.

Connection of wired remote control

Regarding the connection of wired remote control, refer to the instruction manual of wired remote control.

- Switch ON the DIP switch SW2-2 (Factory setting : ON) on the interface PCB.

Caution: Wireless remote control attached to the indoor unit can be used in parallel, after connecting the wired remote control. However, some of functions other than the basic functions such as RUN/STOP, Temperature Setting, etc. may not work properly and may have a mismatch between the display and the actual behavior.



- Wiring connection between the interface and the wired remote control.

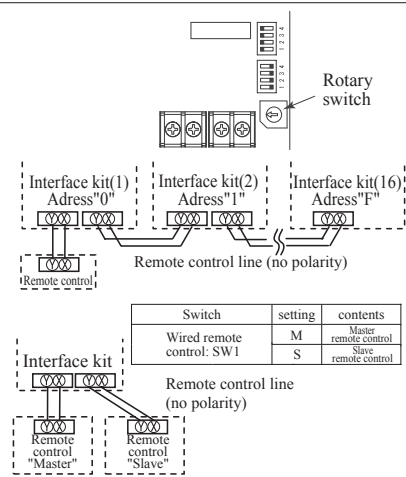
Installation and wiring of wired remote control

- Install the wired remote control with reference to the attached instruction manual of wired remote control.
 - 0.3mm² × 2-core cable should be used for the wiring of wired remote control.
 - Maximum length of wiring is 600m.
If the length of wiring exceeds 100m, change the size of cable as mentioned below.
100m-200m: 0.5mm² × 2-core, 300m or less: 0.75mm² × 2-core, 400m or less: 1.25mm² × 2-core, 600m or less: 2.0mm² × 2-core
However, cable size connecting to the terminal of wired remote control should not exceed 0.5mm². Accordingly if the size of connection cable exceeds 0.5mm², be sure to downsize it to 0.5mm² at the nearest section of the wired remote control and waterproof treatment should be done at the connecting section in order to avoid contact failure.
 - Don't use the multi-core cable to avoid malfunction.
 - Keep the wiring of wired remote control away from grounding (Don't touch it to any metal frame of building, etc.).
 - Connect the connection cables to the terminal blocks of the wired remote control and the interface securely (no polarity).
- Clamp the connection cables with cable clamps.

Control of multiple units by a single wired remote control

Multiple units (up to 16) can be controlled by a single wired remote control. In this case, all units connected with a single wired remote control will operate under the same mode and same setting temperature.

- Connect all the interface with 2-core cables of wired remote control line.
- Set the address of indoor unit for remote control communication from "0" to "F" with the rotary switch SW1 on the interface PCB.
- After turning the power ON, the address of indoor unit can be displayed by pressing [AIR CON No.] button on the wired remote control.
Make sure all indoor units connected are displayed in order by pressing [] or [] button.



Master/Slave setting wired when 2 of wired remote control are used

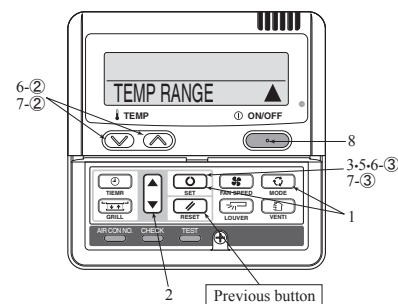
Maximum two wired remote control can be connected to one indoor unit (or one group of indoor units)

- Set the DIP switch SW1 on the wired remote control to "Slave" for the slave remote control. (Factory setting : Master)
 Caution : Remote control sensor is invalid.

- When using the wireless remote control in parallel with the wired remote control; Since temperature setting range of wired remote control is different from that of wireless remote control, please adjust the setting range of wired remote control to be the same setting range of wireless remote control by following procedure. (The set temperature may not be displayed correctly on the wireless remote control, unless change of temperature setting range is done.)
Changing procedure of temperature setting range is as follows.

How to set upper and lower limit of temperature sting range

- Stop the air-conditioner, and press [] (SET) and [] (MODE) button at the same time for 3 seconds or more.
The indication changes to "FUNCTION SET ▼"
- Press [] button once, and change to the "TEMP RANGE ▲" indication.
- Press [] (SET) button, and enter the temperature range setting mode.
- Confirm that the "Upper limit ▼" is shown on the display.
- Press [] (SET) button to fix.
- Indication: " √ ∨ ∨ SET UP" → "UPPER 28°C √ ∨"
 - Select the upper limit value 30°C with temperature setting button []. "UPPER 30°C √" (blinking)
 - Press [] (SET) button to fix. "UPPER 30°C" (Displayed for two seconds)
After the fixed upper limit value displayed for two seconds, the indication will return to "UPPER LIMIT ▼".
- Press [] button once, "LOWER LIMIT ▲" is selected, press [] (SET) button to fix.
 - Indication: " √ ∨ ∨ SET UP" → "LOWER 20°C √ ∨"
 - Select the lower limit value 18°C with temperature setting button []. "LOWER 18°C ∨" (blinking)
 - Press [] (SET) button to fix. "LOWER 18°C" (Displayed for two seconds)
After the fixed lower limit value displayed for two seconds, the indication will return to "LOWER LIMIT ▼"
- Press [ON/OFF] button to finish.



- It is possible to quit in the middle by pressing [ON/OFF] button, but the change of setting is incomplected.
- During setting, if pressing [] (RESET) button, it returns to the previous screen.

Mode	Temperature setting range
Cooling, Heating, Dry, Auto	18-30°C

(3) Superlink E board (SC-ADNA-E)

PJZ012D029F

- Read and understand the instructions completely before starting installation.
- Refer to the instructions for both indoor and outdoor units.

Safety precautions

- Carefully read "Safety precautions" first. Follow the instructions for installation.
- Precautions are grouped into "Warning⚠" and "Caution⚠". The "Warning⚠" group includes items that may lead to serious injury or death if not observed. The items included in the "Caution⚠" group also may lead to serious results under certain conditions. Both groups are crucial for safety installation. Read and understand them carefully.
- After installation, conduct the test operation of the device to check for any abnormalities. Describe how to operate the device to the customer following the installation instruction manual. Instruct the customer to keep this installation instruction for future reference.

⚠WARNING

- This device should be installed by the dealer where you purchase the device or a licensed professional shop. If the device is incorrectly installed by the customer, it may result in electric shock or fire.
- Install the device carefully following the installation instruction. If the device is incorrectly installed, it may result in electric shock or fire.
- Use the accessory parts and specified parts for installation. If any parts that do not match the specifications are used, it may result in electric shock or fire.
- A person with the electrical service certification should conduct the service based on the "Technical standards for electrical facilities", "Electrical Wiring Code", and the installation instruction. If the work is done incorrectly, it may result in electric shock or fire.
- Wiring should be securely connected using the specified types of wire. No external force on the wire should be applied to any terminals. If a secure connection is not achieved, it may result in electric shock or fire.

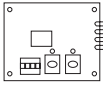
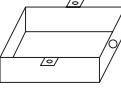
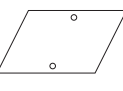
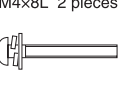


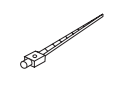

⚠CAUTION

- Provide ground connection.
The ground line should never be connected to the gas supply piping, the water supply piping, the lightning conductor rod, nor the telephone ground. If the grounding is improper, it may result in electric shock.
- Do not install the device in the following locations.
 1. Where there is mist/spray of oil or steam such as kitchens.
 2. Where there is corrosive gases such as sulfurous acid gas.
 3. Where there is a device generating electromagnetic waves.
These may interfere with the control system resulting in the device becoming uncontrollable.
 4. Where flammable volatile materials such as paint thinner and gasoline may exist or where they are handled. This may cause a fire.

1 Application

Indoor-to-outdoor three core communication specification type 3 (since October 2007)

2 Accessories

SL E board 	Metal box 	Metal cover 	Screw for ground M4x8L 2 pieces 
Pan head screws φ4x8L 2 pieces 	Locking supports To secure the print board and the metal box Made of nylon 4 pieces 	Binding band 	Grommet 

3 Function

Allowing the center control SL1N-E, SL2N-E, and SL4-AE/BE to control and monitor the commercial air-conditioning unit.

4 Control switching

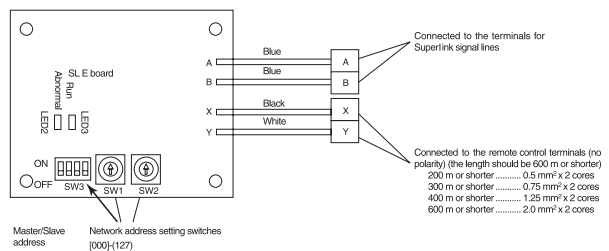
Settings can be changed by the switch SW3 on the SL E board as in the following.

Switch	Symbol	Switch	Remarks
SW3	1	ON	Master
		OFF (default)	Slave
	2	ON	Fixed previous protocol
		OFF (default)	Automatic adjustment of Superlink protocol
	3	ON	Indicates the forced operation stop when abnormality has occurred.
		OFF (default)	Indicates the status of running/stop as it is, when abnormality has occurred.
	4	ON	The hundredth address activated "1"
		OFF (default)	The hundredth address activated "0"

5 Connection Outline

Note for setting the address

- Set the address between 00 and 47 for the previous Superlink connection and between 000 and 127 for the new Superlink connection. (*1)
- Do not set the address overlapping with those of the other devices in the network. (The default is 000)



(*1) Whether the actual link is either the new Superlink or the previous Superlink depends on the models of the connected outdoor and indoor units. Consult the agent or the dealer.

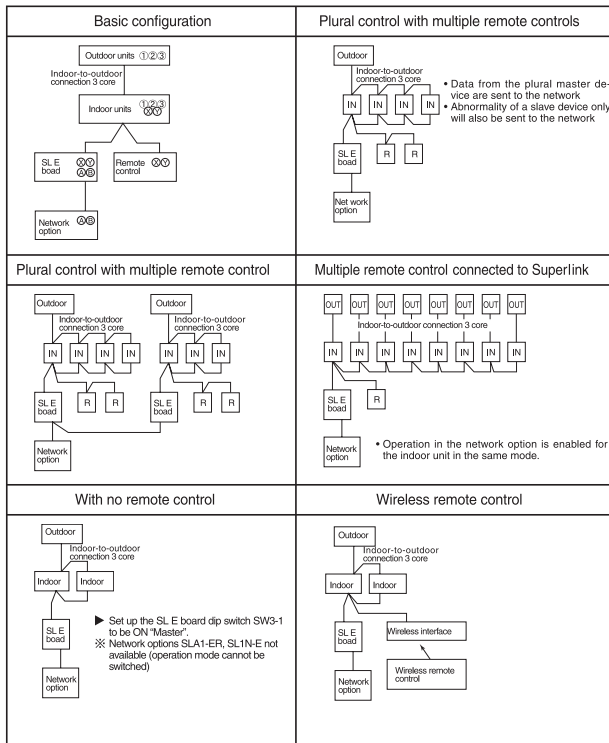
Signal line specification

Communication method	Previous Superlink	New Superlink
Line type	MVVS	MVVS
Line diameter	0.75 - 1.25mm ²	0.75/1.25mm ²
Signal line (total length)	up to 1000m	up to 1500/1000m (*2)
Signal line (maximum length)	up to 1000m	up to 1000m

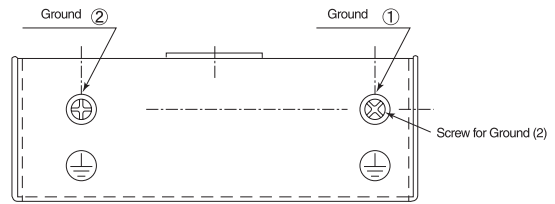
(*2) Up to 1500 m for 0.75 mm², and up to 1000 m for 1.25 mm². Do not use 2.0 mm². It may cause an error.

(*3) Connect grounding on both ends of the shielding wire. For the grounding method, refer to the section "6 Installation".

- (1) Set the Superlink network address with SW1 (tens place), SW2 (ones place), and SW3 (hundreds place).
- (2) Set the SL E board SW3-1 to be ON (Master) when using this without any remote control (no wired remote control nor wireless remote control).
- (3) Set up the plural master/slave device using the dip switches on the indoor unit board.
- (4) Set up the remote control master/slave device using the slide switch on the remote control board.
- (5) Set up "0" to "F" using the address rotary switch on the indoor unit board when controlling the indoor unit with the multiple remote control.

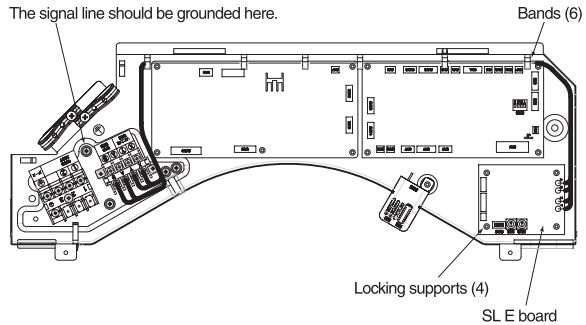


Connect grounding. Connect grounding for the power line to Ground ①, and grounding for the signal line to Ground ② or to the Ground on the indoor unit control box.



2. When connecting to the indoor unit control box (ceiling-concealed type and FDT type only):

- (1) Mount the SL E board in the control box using the locking supports.
- (2) Remove 6 bands from the box and put the wiring through the bands to be secured.



Electrical shock hazard! Make sure to turn the power off for servicing. Be cautious so that no abnormal force should be applied to the wiring. Do not let the SL E board hung by the wiring. Do not damage the board with a screw driver.

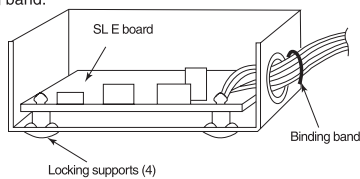
The board is sensitive to static electricity. Release the static electricity of your body before servicing. (you can do this by touching the control board which is grounded).

Location of installation

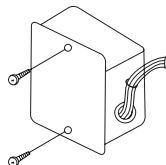
Install the device at the location where there are no electromagnetic waves nor where there is water and dust. The specified temperature range of the device is 0 to 40°C. Install the device at the location where the ambient temperature stays within the range. If it exceeds the specification, make sure to provide solution such as installing a cooling fan. When used outside of the range, it may cause abnormal operation.

6 Installation

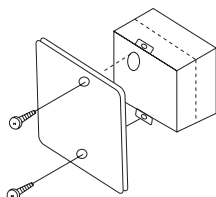
1. When using the metal box (mounted on the indoor unit / mounted on the back of the remote control):
 - (1) Mount the SL E board in the metal box using the locking supports.
 - (2) Wiring should go through the provided grommet since then through the wiring to the hole on the Metal box. Secure the grommet after inserting the grommet into the Metal box as shown in below figure, then tie the wiring at the outlet of the unit using a binding band.



▲ When installed outside the indoor unit, put the metal cover on.



▲ When installed on the back of the remote control, mount it directly on the remote control bottom case.



7 Indicator display

Check the LED 3 (green) and LED 2 (red) on the SL E board for flashing.

SL E board LEDs		Inspection mode	Display on the integrated network control device
Red	Green		
Off	Flashing	Normal communication	
Off	Off	<ul style="list-style-type: none"> Disconnection in the remote control communication line (X or Y) Short-circuit in the remote control communication line (between X and Y) Faulty indoor unit remote control power Faulty remote control communication circuit Faulty CPU on SL E board 	No corresponding unit number
One flash	Flashing	<ul style="list-style-type: none"> Disconnection in the Superlink signal line (A or B) Short-circuit in the Superlink signal line (between A and B) Faulty Superlink signal circuit 	
Two flashes	Flashing	<ul style="list-style-type: none"> Faulty address setting for the SL E board (Set up the address for previous SL E board : more than 48 new SL E board : more than 128) 	
Three flashes	Flashing	<ul style="list-style-type: none"> SL E board parent not set up when used without a remote control Faulty remote control communication circuit 	E1
Four flashes	Flashing	<ul style="list-style-type: none"> Address overlapping for the SL E board and the Superlink network connected indoor unit 	E2
Off	Flashing	<ul style="list-style-type: none"> Number of connected devices exceeds the specification for the multiple indoor unit control 	E10

PJZ012D029C

12. TECHNICAL INFORMATION


Model SRK20ZS-S

Information to identify the model(s) to which the information relates to		If function includes heating: Indicate the heating season the information relates to. Indicated values should relate to one heating season at a time. Include at least the heating season 'Average'	
Indoor unit model name	SRK20ZS-S		
Outdoor unit model name	SRK20ZS-S		
Function(indicate if present)		Average(mandatory)	
cooling	Yes	Warmer(if designated)	Yes
heating	Yes	Colder(if designated)	No
Item	symbol	value	unit
Design load			
cooling	Pdesignc	2.00	kW
heating / Average	Pdesignh	2.40	kW
heating / Warmer	Pdesignh	3.00	kW
heating / Colder	Pdesignh	-	kW
Declared capacity at outdoor temperature Tdesignh			
heating / Average (-10°C)	Pdh	2.40	kW
heating / Warmer (2°C)	Pdh	3.00	kW
heating / Colder (-22°C)	Pdh	-	kW
Declared capacity for cooling, at indoor temperature 27(19)°C and outdoor temperature Tj			
Tj=35°C	Pdc	2.00	kW
Tj=30°C	Pdc	1.50	kW
Tj=25°C	Pdc	1.30	kW
Tj=20°C	Pdc	1.30	kW
Declared capacity for heating / Average season, at indoor temperature 20°C and outdoor temperature Tj			
Tj=-7°C	Pdh	2.20	kW
Tj=2°C	Pdh	1.30	kW
Tj=7°C	Pdh	0.90	kW
Tj=12°C	Pdh	1.10	kW
Tj=bivalent temperature	Pdh	2.40	kW
Tj=operating limit	Pdh	2.10	kW
Declared capacity for heating / Warmer season, at indoor temperature 20°C and outdoor temperature Tj			
Tj=2°C	Pdh	3.00	kW
Tj=7°C	Pdh	1.90	kW
Tj=12°C	Pdh	1.10	kW
Tj=bivalent temperature	Pdh	3.00	kW
Tj=operating limit	Pdh	2.10	kW
Declared capacity for heating / Colder season, at indoor temperature 20°C and outdoor temperature Tj			
Tj=-7°C	Pdh	-	kW
Tj=2°C	Pdh	-	kW
Tj=7°C	Pdh	-	kW
Tj=12°C	Pdh	-	kW
Tj=bivalent temperature	Pdh	-	kW
Tj=operating limit	Pdh	-	kW
Tj=-15°C	Pdh	-	kW
Declared coefficient of performance / Average season, at indoor temperature 20°C and outdoor temperature Tj			
Tj=-7°C	COPd	2.55	-
Tj=2°C	COPd	4.70	-
Tj=7°C	COPd	6.10	-
Tj=12°C	COPd	7.80	-
Tj=bivalent temperature	COPd	2.30	-
Tj=operating limit	COPd	2.20	-
Declared coefficient of performance / Warmer season, at indoor temperature 20°C and outdoor temperature Tj			
Tj=2°C	COPd	2.60	-
Tj=7°C	COPd	5.28	-
Tj=12°C	COPd	7.80	-
Tj=bivalent temperature	COPd	2.60	-
Tj=operating limit	COPd	2.20	-
Declared coefficient of performance / Colder season, at indoor temperature 20°C and outdoor temperature Tj			
Tj=-7°C	COPd	-	-
Tj=2°C	COPd	-	-
Tj=7°C	COPd	-	-
Tj=12°C	COPd	-	-
Tj=bivalent temperature	COPd	-	-
Tj=operating limit	COPd	-	-
Tj=-15°C	COPd	-	-
Bivalent temperature			
heating / Average	Tbiv	-10	°C
heating / Warmer	Tbiv	2	°C
heating / Colder	Tbiv	-	°C
Operating limit temperature			
heating / Average	Tol	-15	°C
heating / Warmer	Tol	-15	°C
heating / Colder	Tol	-	°C
Cycling interval capacity			
for cooling	Pcycc	-	kW
for heating	Pcyhc	-	kW
Cycling interval efficiency			
for cooling	EERcyc	-	-
for heating	COPcyc	-	-
Degradation coefficient			
cooling	Cdc	0.25	-
Degradation coefficient			
heating	Cdh	0.25	-
Electric power input in power modes other than 'active mode'			
off mode	Poff	4	W
standby mode	Psb	4	W
thermostat-off mode	Pto	5	W
crankcase heater mode	Pck	0	W
Annual electricity consumption			
cooling	Qce	90	kWh/a
heating / Average	Qhe	732	kWh/a
heating / Warmer	Qhe	717	kWh/a
heating / colder	Qhe	-	kWh/a
Capacity control(indicate one of three options)			
fixed		No	
staged		No	
variable		Yes	
Other items			
Sound power level(indoor)	Lwa	50	dB(A)
Sound power level(outdoor)	Lwa	57	dB(A)
Global warming potential	GWP	1975	kgCO2eq.
Rated air flow(indoor)	-	558	m3/h
Rated air flow(outdoor)	-	1644	m3/h
Contact details for obtaining more information	Name and address of the manufacturer or of its authorised representative. Mitsubishi Heavy Industries Air-Conditioning Europe, Ltd. 7 Roundwood Avenue, Stockley Park, Uxbridge, Middlesex, UB11 1AX, United Kingdom		


RWA002Z266 

Models SRK25ZS-S


Information to identify the model(s) to which the information relates to:		If function includes heating: Indicate the heating season the information relates to. Indicated values should relate to one heating season at a time. Include at least the heating season 'Average'.	
Indoor unit model name	SRK25ZS-S		
Outdoor unit model name	SRC25ZS-S		
Function(indicate if present)		Average(mandatory)	
cooling	Yes	Warmer(if designated)	Yes
heating	Yes	Colder(if designated)	No
Item	symbol	value	unit
Design load		Seasonal efficiency and energy efficiency class	
cooling	Pdesignc	2.50	kW
heating / Average	Pdesignh	2.50	kW
heating / Warmer	Pdesignh	3.00	kW
heating / Colder	Pdesignh	-	kW
Declared capacity at outdoor temperature Tdesignh		Back up heating capacity at outdoor temperature Tdesignh	
heating / Average (-10°C)	Pdh	2.50	kW
heating / Warmer (2°C)	Pdh	3.10	kW
heating / Colder (-22°C)	Pdh	-	kW
Declared capacity for cooling, at indoor temperature 27(19)°C and outdoor temperature Tj		Declared energy efficiency ratio, at indoor temperature 27(19)°C and outdoor temperature Tj	
Tj=35°C	Pdc	2.50	kW
Tj=30°C	Pdc	1.90	kW
Tj=25°C	Pdc	1.30	kW
Tj=20°C	Pdc	1.40	kW
Declared capacity for heating / Average season, at indoor temperature 20°C and outdoor temperature Tj		Declared coefficient of performance / Average season, at indoor temperature 20°C and outdoor temperature Tj	
Tj=-7°C	Pdh	2.40	kW
Tj=2°C	Pdh	1.40	kW
Tj=7°C	Pdh	0.90	kW
Tj=12°C	Pdh	1.10	kW
Tj=bivalent temperature	Pdh	2.50	kW
Tj=operating limit	Pdh	2.30	kW
Declared capacity for heating / Warmer season, at indoor temperature 20°C and outdoor temperature Tj		Declared coefficient of performance / Warmer season, at indoor temperature 20°C and outdoor temperature Tj	
Tj=2°C	Pdh	3.10	kW
Tj=7°C	Pdh	2.00	kW
Tj=12°C	Pdh	1.10	kW
Tj=bivalent temperature	Pdh	3.10	kW
Tj=operating limit	Pdh	2.30	kW
Declared capacity for heating / Colder season, at indoor temperature 20°C and outdoor temperature Tj		Declared coefficient of performance / Colder season, at indoor temperature 20°C and outdoor temperature Tj	
Tj=-7°C	Pdh	-	kW
Tj=2°C	Pdh	-	kW
Tj=7°C	Pdh	-	kW
Tj=12°C	Pdh	-	kW
Tj=bivalent temperature	Pdh	-	kW
Tj=operating limit	Pdh	-	kW
Tj=-15°C	Pdh	-	kW
Bivalent temperature		Operating limit temperature	
heating / Average	Tbiv	-10	°C
heating / Warmer	Tbiv	2	°C
heating / Colder	Tbiv	-	°C
Cycling interval capacity		Cycling interval efficiency	
for cooling	Pcyc	-	kW
for heating	Pcyc	-	kW
Degradation coefficient		Degradation coefficient	
cooling	Cdc	0.25	-
Electric power input in power modes other than 'active mode'		Annual electricity consumption	
off mode	Poff	4	W
standby mode	Psb	4	W
thermostat-off mode	Pto	5	W
crankcase heater mode	Pck	0	W
Capacity control(indicate one of three options)		Other items	
fixed		Sound power level(indoor)	Lwa 52 dB(A)
staged	No	Sound power level(outdoor)	Lwa 58 dB(A)
variable	Yes	Global warming potential	GWP 1975 kgCO2eq.
Contact details for obtaining more information		Name and address of the manufacturer or of its authorised representative.	
		Mitsubishi Heavy Industries Air-Conditioning Europe, Ltd. 7 Roundwood Avenue, Stockley Park, Uxbridge, Middlesex, UB11 1AX, United Kingdom	

RWA002Z266 

Models SRK35ZS-S

Information to identify the model(s) to which the information relates to:		If function includes heating: Indicate the heating season the information relates to. Indicated values should relate to one heating season at a time. Include at least the heating season 'Average'.	
Indoor unit model name	SRK35ZS-S		
Outdoor unit model name	SRC35ZS-S		
Function(indicate if present)		Average(mandatory)	Yes
cooling	Yes	Warmer(if designated)	Yes
heating	Yes	Colder(if designated)	No
Item	symbol	value	unit
Design load		Seasonal efficiency and energy efficiency class	
cooling	Pdesignc	3.50	kW
heating / Average	Pdesignh	2.80	kW
heating / Warmer	Pdesignh	3.60	kW
heating / Colder	Pdesignh	-	kW
		unit	
Declared capacity at outdoor temperature Tdesignh		Back up heating capacity at outdoor temperature Tdesignh	
heating / Average (-10°C)	Pdh	2.80	kW
heating / Warmer (2°C)	Pdh	3.60	kW
heating / Colder (-22°C)	Pdh	-	kW
		unit	
Declared capacity for cooling, at indoor temperature 27(19)°C and outdoor temperature Tj		Declared energy efficiency ratio, at indoor temperature 27(19)°C and outdoor temperature Tj	
Tj=35°C	Pdc	3.50	kW
Tj=30°C	Pdc	2.58	kW
Tj=25°C	Pdc	1.66	kW
Tj=20°C	Pdc	1.40	kW
		unit	
Declared capacity for heating / Average season, at indoor temperature 20°C and outdoor temperature Tj		Declared coefficient of performance / Average season, at indoor temperature 20°C and outdoor temperature Tj	
Tj=-7°C	Pdh	2.50	kW
Tj=2°C	Pdh	1.60	kW
Tj=7°C	Pdh	1.00	kW
Tj=12°C	Pdh	1.10	kW
Tj=bivalent temperature	Pdh	2.80	kW
Tj=operating limit	Pdh	2.40	kW
		unit	
Declared capacity for heating / Warmer season, at indoor temperature 20°C and outdoor temperature Tj		Declared coefficient of performance / Warmer season, at indoor temperature 20°C and outdoor temperature Tj	
Tj=2°C	Pdh	3.60	kW
Tj=7°C	Pdh	2.30	kW
Tj=12°C	Pdh	1.10	kW
Tj=bivalent temperature	Pdh	3.60	kW
Tj=operating limit	Pdh	2.40	kW
		unit	
Declared capacity for heating / Colder season, at indoor temperature 20°C and outdoor temperature Tj		Declared coefficient of performance / Colder season, at indoor temperature 20°C and outdoor temperature Tj	
Tj=-7°C	Pdh	-	kW
Tj=2°C	Pdh	-	kW
Tj=7°C	Pdh	-	kW
Tj=12°C	Pdh	-	kW
Tj=bivalent temperature	Pdh	-	kW
Tj=operating limit	Pdh	-	kW
Tj=-15°C	Pdh	-	kW
		unit	
Bivalent temperature		Operating limit temperature	
heating / Average	Tbiv	-10	°C
heating / Warmer	Tbiv	2	°C
heating / Colder	Tbiv	-	°C
		unit	
Cycling interval capacity		Cycling interval efficiency	
for cooling	Pccyc	-	kW
for heating	Pchyc	-	kW
		unit	
Degradation coefficient		Degradation coefficient	
cooling	Cdc	0.25	-
		unit	
Electric power input in power modes other than 'active mode'		Annual electricity consumption	
off mode	Poff	4	W
standby mode	Psb	4	W
thermostat-off mode	Pto	5	W
crankcase heater mode	Pck	0	W
		unit	
Capacity control(indicate one of three options)		Other items	
fixed	No	Sound power level(indoor)	Lwa 56 dB(A)
staged	No	Sound power level(outdoor)	Lwa 62 dB(A)
variable	Yes	Global warming potential	GWP 1975 kgCO2eq.
		Rated air flow(indoor)	- 678 m3/h
		Rated air flow(outdoor)	- 1890 m3/h
Contact details for obtaining more information		Name and address of the manufacturer or of its authorised representative.	
		Mitsubishi Heavy Industries Air-Conditioning Europe, Ltd. 7 Roundwood Avenue, Stockley Park, Uxbridge, Middlesex, UB11 1AX, United Kingdom	
		RWA002Z266 	

Models SRK50ZS-S


Information to identify the model(s) to which the information relates to:		If function includes heating: Indicate the heating season the information relates to. Indicated values should relate to one heating season at a time. Include at least the heating season 'Average'.	
Indoor unit model name	SRK50ZS-S		
Outdoor unit model name	SRC50ZS-S		
Function(indicate if present)		Average(mandatory)	
cooling	Yes	Warmer(if designated)	Yes
heating	Yes	Colder(if designated)	No
Item	symbol	value	unit
Design load			
cooling	Pdesignc	5.00	kW
heating / Average	Pdesignh	3.90	kW
heating / Warmer	Pdesignh	5.30	kW
heating / Colder	Pdesignh	-	kW
Seasonal efficiency and energy efficiency class			
cooling	SEER	6.26	A++
heating / Average	SCOP/A	4.20	A+
heating / Warmer	SCOP/W	5.00	A++
heating / Colder	SCOP/C	-	-
Declared capacity at outdoor temperature Tdesignh			
heating / Average (-10°C)	Pdh	3.90	kW
heating / Warmer (2°C)	Pdh	5.30	kW
heating / Colder (-22°C)	Pdh	-	kW
Back up heating capacity at outdoor temperature Tdesignh			
heating / Average (-10°C)	elbu	0	kW
heating / Warmer (2°C)	elbu	0	kW
heating / Colder (-22°C)	elbu	-	kW
Declared capacity for cooling, at indoor temperature 27(19)°C and outdoor temperature Tj			
Tj=35°C	Pdc	5.00	kW
Tj=30°C	Pdc	3.69	kW
Tj=25°C	Pdc	2.38	kW
Tj=20°C	Pdc	2.50	kW
Declared energy efficiency ratio, at indoor temperature 27(19)°C and outdoor temperature Tj			
Tj=35°C	EERd	3.21	-
Tj=30°C	EERd	5.15	-
Tj=25°C	EERd	7.75	-
Tj=20°C	EERd	10.05	-
Declared capacity for heating / Average season, at indoor temperature 20°C and outdoor temperature Tj			
Tj=-7°C	Pdh	3.40	kW
Tj=2°C	Pdh	2.10	kW
Tj=7°C	Pdh	1.90	kW
Tj=12°C	Pdh	2.90	kW
Tj=bivalent temperature	Pdh	3.90	kW
Tj=operating limit	Pdh	4.00	kW
Declared coefficient of performance / Average season, at indoor temperature 20°C and outdoor temperature Tj			
Tj=-7°C	COPd	2.55	-
Tj=2°C	COPd	4.40	-
Tj=7°C	COPd	5.60	-
Tj=12°C	COPd	6.40	-
Tj=bivalent temperature	COPd	2.20	-
Tj=operating limit	COPd	2.20	-
Declared capacity for heating / Warmer season, at indoor temperature 20°C and outdoor temperature Tj			
Tj=2°C	Pdh	5.30	kW
Tj=7°C	Pdh	3.40	kW
Tj=12°C	Pdh	2.90	kW
Tj=bivalent temperature	Pdh	5.30	kW
Tj=operating limit	Pdh	4.00	kW
Declared coefficient of performance / Warmer season, at indoor temperature 20°C and outdoor temperature Tj			
Tj=2°C	COPd	2.50	-
Tj=7°C	COPd	4.95	-
Tj=12°C	COPd	6.40	-
Tj=bivalent temperature	COPd	2.50	-
Tj=operating limit	COPd	2.23	-
Declared capacity for heating / Colder season, at indoor temperature 20°C and outdoor temperature Tj			
Tj=-7°C	Pdh	-	kW
Tj=2°C	Pdh	-	kW
Tj=7°C	Pdh	-	kW
Tj=12°C	Pdh	-	kW
Tj=bivalent temperature	Pdh	-	kW
Tj=operating limit	Pdh	-	kW
Tj=-15°C	Pdh	-	kW
Declared coefficient of performance / Colder season, at indoor temperature 20°C and outdoor temperature Tj			
Tj=-7°C	COPd	-	-
Tj=2°C	COPd	-	-
Tj=7°C	COPd	-	-
Tj=12°C	COPd	-	-
Tj=bivalent temperature	COPd	-	-
Tj=operating limit	COPd	-	-
Tj=-15°C	COPd	-	-
Bivalent temperature			
heating / Average	Tbiv	-10	°C
heating / Warmer	Tbiv	2	°C
heating / Colder	Tbiv	-	°C
Operating limit temperature			
heating / Average	Tol	-15	°C
heating / Warmer	Tol	-15	°C
heating / Colder	Tol	-	°C
Cycling interval capacity			
for cooling	Pcyc	-	kW
for heating	Pcyc	-	kW
Cycling interval efficiency			
for cooling	EERcyc	-	-
for heating	COPcyc	-	-
Degradation coefficient			
cooling	Cdc	0.25	-
Degradation coefficient			
heating	Cdh	0.25	-
Electric power input in power modes other than 'active mode'			
off mode	Poff	4	W
standby mode	Psb	4	W
thermostat-off mode	Pto	12	W
crankcase heater mode	Pck	0	W
Annual electricity consumption			
cooling	Qce	280	kWh/a
heating / Average	Qhe	1300	kWh/a
heating / Warmer	Qhe	1484	kWh/a
heating / colder	Qhe	-	kWh/a
Capacity control(indicate one of three options)			
fixed		No	
staged		No	
variable		Yes	
Other items			
Sound power level(indoor)	Lwa	58	dB(A)
Sound power level(outdoor)	Lwa	62	dB(A)
Global warming potential	GWP	1975	kgCO2eq.
Rated air flow(indoor)	-	726	m3/h
Rated air flow(outdoor)	-	1968	m3/h
Contact details for obtaining more information	Name and address of the manufacturer or of its authorised representative. Mitsubishi Heavy Industries Air-Conditioning Europe, Ltd. 7 Roundwood Avenue, Stockley Park, Uxbridge, Middlesex, UB11 1AX, United Kingdom		
RWA002Z266 			

Model SRK20ZS-SB


Information to identify the model(s) to which the information relates to		If function includes heating: Indicate the heating season the information relates to. Indicated values should relate to one heating season at a time. Include at least the heating season 'Average'	
Indoor unit model name	SRK20ZS-SB		
Outdoor unit model name	SRC20ZS-S		
Function(indicate if present)		Average(mandatory)	
cooling	Yes	Warmer(if designated)	Yes
heating	Yes	Colder(if designated)	No
Item	symbol	value	unit
Design load			
cooling	Pdesignc	2.00	kW
heating / Average	Pdesignh	2.40	kW
heating / Warmer	Pdesignh	3.00	kW
heating / Colder	Pdesignh	-	kW
Declared capacity at outdoor temperature Tdesignh			
heating / Average (-10°C)	Pdh	2.40	kW
heating / Warmer (2°C)	Pdh	3.00	kW
heating / Colder (-22°C)	Pdh	-	kW
Declared capacity for cooling, at indoor temperature 27(19)°C and outdoor temperature Tj			
Tj=35°C	Pdc	2.00	kW
Tj=30°C	Pdc	1.50	kW
Tj=25°C	Pdc	1.30	kW
Tj=20°C	Pdc	1.30	kW
Declared capacity for heating / Average season, at indoor temperature 20°C and outdoor temperature Tj			
Tj=-7°C	Pdh	2.20	kW
Tj=2°C	Pdh	1.30	kW
Tj=7°C	Pdh	0.90	kW
Tj=12°C	Pdh	1.10	kW
Tj=bivalent temperature	Pdh	2.40	kW
Tj=operating limit	Pdh	2.10	kW
Declared capacity for heating / Warmer season, at indoor temperature 20°C and outdoor temperature Tj			
Tj=2°C	Pdh	3.00	kW
Tj=7°C	Pdh	1.90	kW
Tj=12°C	Pdh	1.10	kW
Tj=bivalent temperature	Pdh	3.00	kW
Tj=operating limit	Pdh	2.10	kW
Declared capacity for heating / Colder season, at indoor temperature 20°C and outdoor temperature Tj			
Tj=-7°C	Pdh	-	kW
Tj=2°C	Pdh	-	kW
Tj=7°C	Pdh	-	kW
Tj=12°C	Pdh	-	kW
Tj=bivalent temperature	Pdh	-	kW
Tj=operating limit	Pdh	-	kW
Tj=-15°C	Pdh	-	kW
Declared coefficient of performance / Average season, at indoor temperature 20°C and outdoor temperature Tj			
Tj=-7°C	COPd	2.55	-
Tj=2°C	COPd	4.70	-
Tj=7°C	COPd	6.10	-
Tj=12°C	COPd	7.80	-
Tj=bivalent temperature	COPd	2.30	-
Tj=operating limit	COPd	2.20	-
Declared coefficient of performance / Warmer season, at indoor temperature 20°C and outdoor temperature Tj			
Tj=2°C	COPd	2.60	-
Tj=7°C	COPd	5.28	-
Tj=12°C	COPd	7.80	-
Tj=bivalent temperature	COPd	2.60	-
Tj=operating limit	COPd	2.20	-
Declared coefficient of performance / Colder season, at indoor temperature 20°C and outdoor temperature Tj			
Tj=-7°C	COPd	-	-
Tj=2°C	COPd	-	-
Tj=7°C	COPd	-	-
Tj=12°C	COPd	-	-
Tj=bivalent temperature	COPd	-	-
Tj=operating limit	COPd	-	-
Tj=-15°C	COPd	-	-
Bivalent temperature		Operating limit temperature	
heating / Average	Tbiv	-10	°C
heating / Warmer	Tbiv	2	°C
heating / Colder	Tbiv	-	°C
heating / Average	Tol	-15	°C
heating / Warmer	Tol	-15	°C
heating / Colder	Tol	-	°C
Cycling interval capacity		Cycling interval efficiency	
for cooling	Pcycc	-	kW
for heating	Pcyhc	-	kW
for cooling	EERcyc	-	-
for heating	COPcyc	-	-
Degradation coefficient		Degradation coefficient	
cooling	Cdc	0.25	-
heating	Cdh	0.25	-
Electric power input in power modes other than 'active mode'		Annual electricity consumption	
off mode	Poff	4	W
standby mode	Psb	4	W
thermostat-off mode	Pto	5	W
crankcase heater mode	Pck	0	W
cooling	Qce	90	kWh/a
heating / Average	Qhe	732	kWh/a
heating / Warmer	Qhe	717	kWh/a
heating / colder	Qhe	-	kWh/a
Capacity control(indicate one of three options)		Other items	
fixed	No	Sound power level(indoor)	Lwa 50 dB(A)
staged	No	Sound power level(outdoor)	Lwa 57 dB(A)
variable	Yes	Global warming potential	GWP 1975 kgCO2eq.
		Rated air flow(indoor)	- 558 m3/h
		Rated air flow(outdoor)	- 1644 m3/h
Contact details for obtaining more information	Name and address of the manufacturer or of its authorised representative. Mitsubishi Heavy Industries Air-Conditioning Europe, Ltd. 7 Roundwood Avenue, Stockley Park, Uxbridge, Middlesex, UB11 1AX, United Kingdom		

RWA002Z266 


Models SRK25ZS-SB

Information to identify the model(s) to which the information relates to: Indoor unit model name SRK25ZS-SB Outdoor unit model name SRC25ZS-S		If function includes heating: Indicate the heating season the information relates to. Indicated values should relate to one heating season at a time. Include at least the heating season 'Average'.	
Function(indicate if present) cooling Yes heating Yes		Average(mandatory) Yes Warmer(if designated) Yes Colder(if designated) No	
Item	symbol	value	unit
Design load		Seasonal efficiency and energy efficiency class	
cooling	Pdesignc	2.50	kW
heating / Average	Pdesignh	2.50	kW
heating / Warmer	Pdesignh	3.00	kW
heating / Colder	Pdesignh	-	kW
Declared capacity at outdoor temperature Tdesignh		Back up heating capacity at outdoor temperature Tdesignh	
heating / Average (-10°C)	Pdh	2.50	kW
heating / Warmer (2°C)	Pdh	3.10	kW
heating / Colder (-22°C)	Pdh	-	kW
Declared capacity for cooling, at indoor temperature 27(19)°C and outdoor temperature Tj		Declared energy efficiency ratio, at indoor temperature 27(19)°C and outdoor temperature Tj	
Tj=35°C	Pdc	2.50	kW
Tj=30°C	Pdc	1.90	kW
Tj=25°C	Pdc	1.30	kW
Tj=20°C	Pdc	1.40	kW
Declared capacity for heating / Average season, at indoor temperature 20°C and outdoor temperature Tj		Declared coefficient of performance / Average season, at indoor temperature 20°C and outdoor temperature Tj	
Tj=-7°C	Pdh	2.40	kW
Tj=2°C	Pdh	1.40	kW
Tj=7°C	Pdh	0.90	kW
Tj=12°C	Pdh	1.10	kW
Tj=bivalent temperature	Pdh	2.50	kW
Tj=operating limit	Pdh	2.30	kW
Declared capacity for heating / Warmer season, at indoor temperature 20°C and outdoor temperature Tj		Declared coefficient of performance / Warmer season, at indoor temperature 20°C and outdoor temperature Tj	
Tj=2°C	Pdh	3.10	kW
Tj=7°C	Pdh	2.00	kW
Tj=12°C	Pdh	1.10	kW
Tj=bivalent temperature	Pdh	3.10	kW
Tj=operating limit	Pdh	2.30	kW
Declared capacity for heating / Colder season, at indoor temperature 20°C and outdoor temperature Tj		Declared coefficient of performance / Colder season, at indoor temperature 20°C and outdoor temperature Tj	
Tj=-7°C	Pdh	-	kW
Tj=2°C	Pdh	-	kW
Tj=7°C	Pdh	-	kW
Tj=12°C	Pdh	-	kW
Tj=bivalent temperature	Pdh	-	kW
Tj=operating limit	Pdh	-	kW
Tj=-15°C	Pdh	-	kW
Bivalent temperature		Operating limit temperature	
heating / Average	Tbiv	-10	°C
heating / Warmer	Tbiv	2	°C
heating / Colder	Tbiv	-	°C
Cycling interval capacity		Cycling interval efficiency	
for cooling	Pcyc	-	kW
for heating	Pcyc	-	kW
Degradation coefficient		Degradation coefficient	
cooling	Cdc	0.25	-
Electric power input in power modes other than 'active mode'		Annual electricity consumption	
off mode	Poff	4	W
standby mode	Psb	4	W
thermostat-off mode	Pto	5	W
crankcase heater mode	Pck	0	W
Capacity control(indicate one of three options)		Other items	
fixed		No	
staged		No	
variable		Yes	
Contact details for obtaining more information		Name and address of the manufacturer or of its authorised representative. Mitsubishi Heavy Industries Air-Conditioning Europe, Ltd. 7 Roundwood Avenue, Stockley Park, Uxbridge, Middlesex, UB11 1AX, United Kingdom	
		RWA002Z266 	

Models SRK35ZS-SB

Information to identify the model(s) to which the information relates to: Indoor unit model name SRK35ZS-SB Outdoor unit model name SRC35ZS-S		If function includes heating: Indicate the heating season the information relates to. Indicated values should relate to one heating season at a time. Include at least the heating season 'Average'.	
Function(indicate if present) cooling Yes heating Yes		Average(mandatory) Yes Warmer(if designated) Yes Colder(if designated) No	
Item	symbol	value	unit
Design load		Seasonal efficiency and energy efficiency class	
cooling	Pdesignc	3.50	kW
heating / Average	Pdesignh	2.80	kW
heating / Warmer	Pdesignh	3.60	kW
heating / Colder	Pdesignh	-	kW
		unit	
Declared capacity at outdoor temperature Tdesignh		Back up heating capacity at outdoor temperature Tdesignh	
heating / Average (-10°C)	Pdh	2.80	kW
heating / Warmer (2°C)	Pdh	3.60	kW
heating / Colder (-22°C)	Pdh	-	kW
		unit	
Declared capacity for cooling, at indoor temperature 27(19)°C and outdoor temperature Tj		Declared energy efficiency ratio, at indoor temperature 27(19)°C and outdoor temperature Tj	
Tj=35°C	Pdc	3.50	kW
Tj=30°C	Pdc	2.58	kW
Tj=25°C	Pdc	1.66	kW
Tj=20°C	Pdc	1.40	kW
		unit	
Declared capacity for heating / Average season, at indoor temperature 20°C and outdoor temperature Tj		Declared coefficient of performance / Average season, at indoor temperature 20°C and outdoor temperature Tj	
Tj=-7°C	Pdh	2.50	kW
Tj=2°C	Pdh	1.60	kW
Tj=7°C	Pdh	1.00	kW
Tj=12°C	Pdh	1.10	kW
Tj=bivalent temperature	Pdh	2.80	kW
Tj=operating limit	Pdh	2.40	kW
		unit	
Declared capacity for heating / Warmer season, at indoor temperature 20°C and outdoor temperature Tj		Declared coefficient of performance / Warmer season, at indoor temperature 20°C and outdoor temperature Tj	
Tj=2°C	Pdh	3.60	kW
Tj=7°C	Pdh	2.30	kW
Tj=12°C	Pdh	1.10	kW
Tj=bivalent temperature	Pdh	3.60	kW
Tj=operating limit	Pdh	2.40	kW
		unit	
Declared capacity for heating / Colder season, at indoor temperature 20°C and outdoor temperature Tj		Declared coefficient of performance / Colder season, at indoor temperature 20°C and outdoor temperature Tj	
Tj=-7°C	Pdh	-	kW
Tj=2°C	Pdh	-	kW
Tj=7°C	Pdh	-	kW
Tj=12°C	Pdh	-	kW
Tj=bivalent temperature	Pdh	-	kW
Tj=operating limit	Pdh	-	kW
Tj=-15°C	Pdh	-	kW
		unit	
Bivalent temperature		Operating limit temperature	
heating / Average	Tbiv	-10	°C
heating / Warmer	Tbiv	2	°C
heating / Colder	Tbiv	-	°C
		unit	
Cycling interval capacity		Cycling interval efficiency	
for cooling	Pccyc	-	kW
for heating	Pchyc	-	kW
		unit	
Degradation coefficient		Degradation coefficient	
cooling	Cdc	0.25	-
		unit	
Electric power input in power modes other than 'active mode'		Annual electricity consumption	
off mode	Poff	4	W
standby mode	Psb	4	W
thermostat-off mode	Pto	5	W
crankcase heater mode	Pck	0	W
		unit	
Capacity control(indicate one of three options)		Other items	
fixed		Sound power level(indoor)	Lwa 56 dB(A)
staged	No	Sound power level(outdoor)	Lwa 62 dB(A)
variable	Yes	Global warming potential	GWP 1975 kgCO2eq.
		Rated air flow(indoor)	- 678 m3/h
		Rated air flow(outdoor)	- 1890 m3/h
Contact details for obtaining more information		Name and address of the manufacturer or of its authorised representative. Mitsubishi Heavy Industries Air-Conditioning Europe, Ltd. 7 Roundwood Avenue, Stockley Park, Uxbridge, Middlesex, UB11 1AX, United Kingdom	
		RWA002Z266 	

Models SRK50ZS-SB


Information to identify the model(s) to which the information relates to: Indoor unit model name SRK50ZS-SB Outdoor unit model name SRC50ZS-S		If function includes heating: Indicate the heating season the information relates to. Indicated values should relate to one heating season at a time. Include at least the heating season 'Average'.	
Function(indicate if present) cooling Yes heating Yes		Average(mandatory) Yes Warmer(if designated) Yes Colder(if designated) No	
Item	symbol	value	unit
Design load		Seasonal efficiency and energy efficiency class	
cooling	Pdesignc	5.00	kW
heating / Average	Pdesignh	3.90	kW
heating / Warmer	Pdesignh	5.30	kW
heating / Colder	Pdesignh	-	kW
		cooling SEER 6.26 A++	
		heating / Average SCOP/A 4.20 A+	
		heating / Warmer SCOP/W 5.00 A++	
		heating / Colder SCOP/C - -	
		unit	
Declared capacity at outdoor temperature Tdesignh		Back up heating capacity at outdoor temperature Tdesignh	
heating / Average (-10°C)	Pdh	3.90	kW
heating / Warmer (2°C)	Pdh	5.30	kW
heating / Colder (-22°C)	Pdh	-	kW
		heating / Average (-10°C) elbu 0 kW	
		heating / Warmer (2°C) elbu 0 kW	
		heating / Colder (-22°C) elbu - kW	
Declared capacity for cooling, at indoor temperature 27(19)°C and outdoor temperature Tj		Declared energy efficiency ratio, at indoor temperature 27(19)°C and outdoor temperature Tj	
Tj=35°C	Pdc	5.00	kW
Tj=30°C	Pdc	3.69	kW
Tj=25°C	Pdc	2.38	kW
Tj=20°C	Pdc	2.50	kW
		Tj=35°C EERd 3.21 -	
		Tj=30°C EERd 5.15 -	
		Tj=25°C EERd 7.75 -	
		Tj=20°C EERd 10.05 -	
Declared capacity for heating / Average season, at indoor temperature 20°C and outdoor temperature Tj		Declared coefficient of performance / Average season, at indoor temperature 20°C and outdoor temperature Tj	
Tj=-7°C	Pdh	3.40	kW
Tj=2°C	Pdh	2.10	kW
Tj=7°C	Pdh	1.90	kW
Tj=12°C	Pdh	2.90	kW
Tj=bivalent temperature	Pdh	3.90	kW
Tj=operating limit	Pdh	4.00	kW
		Tj=-7°C COPd 2.55 -	
		Tj=2°C COPd 4.40 -	
		Tj=7°C COPd 5.60 -	
		Tj=12°C COPd 6.40 -	
		Tj=bivalent temperature COPd 2.20 -	
		Tj=operating limit COPd 2.20 -	
Declared capacity for heating / Warmer season, at indoor temperature 20°C and outdoor temperature Tj		Declared coefficient of performance / Warmer season, at indoor temperature 20°C and outdoor temperature Tj	
Tj=2°C	Pdh	5.30	kW
Tj=7°C	Pdh	3.40	kW
Tj=12°C	Pdh	2.90	kW
Tj=bivalent temperature	Pdh	5.30	kW
Tj=operating limit	Pdh	4.00	kW
		Tj=2°C COPd 2.50 -	
		Tj=7°C COPd 4.95 -	
		Tj=12°C COPd 6.40 -	
		Tj=bivalent temperature COPd 2.50 -	
		Tj=operating limit COPd 2.23 -	
Declared capacity for heating / Colder season, at indoor temperature 20°C and outdoor temperature Tj		Declared coefficient of performance / Colder season, at indoor temperature 20°C and outdoor temperature Tj	
Tj=-7°C	Pdh	-	kW
Tj=2°C	Pdh	-	kW
Tj=7°C	Pdh	-	kW
Tj=12°C	Pdh	-	kW
Tj=bivalent temperature	Pdh	-	kW
Tj=operating limit	Pdh	-	kW
Tj=-15°C	Pdh	-	kW
		Tj=-7°C COPd - -	
		Tj=2°C COPd - -	
		Tj=7°C COPd - -	
		Tj=12°C COPd - -	
		Tj=bivalent temperature COPd - -	
		Tj=operating limit COPd - -	
		Tj=-15°C COPd - -	
Bivalent temperature		Operating limit temperature	
heating / Average	Tbiv	-10	°C
heating / Warmer	Tbiv	2	°C
heating / Colder	Tbiv	-	°C
		heating / Average Tol -15 °C	
		heating / Warmer Tol -15 °C	
		heating / Colder Tol - °C	
Cycling interval capacity		Cycling interval efficiency	
for cooling	Pccyc	-	kW
for heating	Pchyc	-	kW
		for cooling EERcyc - -	
		for heating COPcyc - -	
Degradation coefficient		Degradation coefficient	
cooling	Cdc	0.25	-
		heating Cdh 0.25 -	
Electric power input in power modes other than 'active mode'		Annual electricity consumption	
off mode	Poff	4	W
standby mode	Psb	4	W
thermostat-off mode	Pto	12	W
crankcase heater mode	Pck	0	W
		cooling Qce 280 kWh/a	
		heating / Average Qhe 1300 kWh/a	
		heating / Warmer Qhe 1484 kWh/a	
		heating / colder Qhe - kWh/a	
Capacity control(indicate one of three options)		Other items	
fixed	-	Lwa	58 dB(A)
staged	No	Lwa	62 dB(A)
variable	No	Global warming potential GWP	1975 kgCO2eq.
	Yes	Rated air flow(indoor)	726 m3/h
		Rated air flow(outdoor)	1968 m3/h
Contact details for obtaining more information	Name and address of the manufacturer or of its authorised representative. Mitsubishi Heavy Industries Air-Conditioning Europe, Ltd. 7 Roundwood Avenue, Stockley Park, Uxbridge, Middlesex, UB11 1AX, United Kingdom		
RWA002Z266 			

Model SRK20ZS-ST


Information to identify the model(s) to which the information relates to		If function includes heating: Indicate the heating season the information relates to. Indicated values should relate to one heating season at a time. Include at least the heating season 'Average'	
Indoor unit model name	SRK20ZS-ST		
Outdoor unit model name	SRC20ZS-S		
Function(indicate if present)		Average(mandatory)	
cooling	Yes	Warmer(if designated)	Yes
heating	Yes	Colder(if designated)	No
Item	symbol	value	unit
Design load			
cooling	Pdesignc	2.00	kW
heating / Average	Pdesignh	2.40	kW
heating / Warmer	Pdesignh	3.00	kW
heating / Colder	Pdesignh	-	kW
Declared capacity at outdoor temperature Tdesignh			
heating / Average (-10°C)	Pdh	2.40	kW
heating / Warmer (2°C)	Pdh	3.00	kW
heating / Colder (-22°C)	Pdh	-	kW
Declared capacity for cooling, at indoor temperature 27(19)°C and outdoor temperature Tj			
Tj=35°C	Pdc	2.00	kW
Tj=30°C	Pdc	1.50	kW
Tj=25°C	Pdc	1.30	kW
Tj=20°C	Pdc	1.30	kW
Declared capacity for heating / Average season, at indoor temperature 20°C and outdoor temperature Tj			
Tj=-7°C	Pdh	2.20	kW
Tj=2°C	Pdh	1.30	kW
Tj=7°C	Pdh	0.90	kW
Tj=12°C	Pdh	1.10	kW
Tj=bivalent temperature	Pdh	2.40	kW
Tj=operating limit	Pdh	2.10	kW
Declared capacity for heating / Warmer season, at indoor temperature 20°C and outdoor temperature Tj			
Tj=2°C	Pdh	3.00	kW
Tj=7°C	Pdh	1.90	kW
Tj=12°C	Pdh	1.10	kW
Tj=bivalent temperature	Pdh	3.00	kW
Tj=operating limit	Pdh	2.10	kW
Declared capacity for heating / Colder season, at indoor temperature 20°C and outdoor temperature Tj			
Tj=-7°C	Pdh	-	kW
Tj=2°C	Pdh	-	kW
Tj=7°C	Pdh	-	kW
Tj=12°C	Pdh	-	kW
Tj=bivalent temperature	Pdh	-	kW
Tj=operating limit	Pdh	-	kW
Tj=-15°C	Pdh	-	kW
Declared coefficient of performance / Average season, at indoor temperature 20°C and outdoor temperature Tj			
Tj=-7°C	COPd	2.55	-
Tj=2°C	COPd	4.70	-
Tj=7°C	COPd	6.10	-
Tj=12°C	COPd	7.80	-
Tj=bivalent temperature	COPd	2.30	-
Tj=operating limit	COPd	2.20	-
Declared coefficient of performance / Warmer season, at indoor temperature 20°C and outdoor temperature Tj			
Tj=2°C	COPd	2.60	-
Tj=7°C	COPd	5.28	-
Tj=12°C	COPd	7.80	-
Tj=bivalent temperature	COPd	2.60	-
Tj=operating limit	COPd	2.20	-
Declared coefficient of performance / Colder season, at indoor temperature 20°C and outdoor temperature Tj			
Tj=-7°C	COPd	-	-
Tj=2°C	COPd	-	-
Tj=7°C	COPd	-	-
Tj=12°C	COPd	-	-
Tj=bivalent temperature	COPd	-	-
Tj=operating limit	COPd	-	-
Tj=-15°C	COPd	-	-
Bivalent temperature		Operating limit temperature	
heating / Average	Tbiv	-10	°C
heating / Warmer	Tbiv	2	°C
heating / Colder	Tbiv	-	°C
heating / Average	Tol	-15	°C
heating / Warmer	Tol	-15	°C
heating / Colder	Tol	-	°C
Cycling interval capacity		Cycling interval efficiency	
for cooling	Pcycc	-	kW
for heating	Pcyhc	-	kW
for cooling	EERcyc	-	-
for heating	COPcyc	-	-
Degradation coefficient		Degradation coefficient	
cooling	Cdc	0.25	-
heating	Cdh	0.25	-
Electric power input in power modes other than 'active mode'		Annual electricity consumption	
off mode	Poff	4	W
standby mode	Psb	4	W
thermostat-off mode	Pto	5	W
crankcase heater mode	Pck	0	W
cooling	Qce	90	kWh/a
heating / Average	Qhe	732	kWh/a
heating / Warmer	Qhe	717	kWh/a
heating / colder	Qhe	-	kWh/a
Capacity control(indicate one of three options)		Other items	
fixed	No	Sound power level(indoor)	Lwa 50 dB(A)
staged	No	Sound power level(outdoor)	Lwa 57 dB(A)
variable	Yes	Global warming potential	GWP 1975 kgCO2eq.
		Rated air flow(indoor)	- 558 m3/h
		Rated air flow(outdoor)	- 1644 m3/h
Contact details for obtaining more information	Name and address of the manufacturer or of its authorised representative. Mitsubishi Heavy Industries Air-Conditioning Europe, Ltd. 7 Roundwood Avenue, Stockley Park, Uxbridge, Middlesex, UB11 1AX, United Kingdom		

RWA002Z266 

Models SRK25ZS-ST

Information to identify the model(s) to which the information relates to: Indoor unit model name SRK25ZS-ST Outdoor unit model name SRC25ZS-S		If function includes heating: Indicate the heating season the information relates to. Indicated values should relate to one heating season at a time. Include at least the heating season 'Average'.	
Function(indicate if present) cooling Yes heating Yes		Average(mandatory) Yes Warmer(if designated) Yes Colder(if designated) No	
Item	symbol	value	unit
Design load		Seasonal efficiency and energy efficiency class	
cooling	Pdesignc	2.50	kW
heating / Average	Pdesignh	2.50	kW
heating / Warmer	Pdesignh	3.00	kW
heating / Colder	Pdesignh	-	kW
		unit	
Declared capacity at outdoor temperature Tdesignh		Back up heating capacity at outdoor temperature Tdesignh	
heating / Average (-10°C)	Pdh	2.50	kW
heating / Warmer (2°C)	Pdh	3.10	kW
heating / Colder (-22°C)	Pdh	-	kW
		unit	
Declared capacity for cooling, at indoor temperature 27(19)°C and outdoor temperature Tj		Declared energy efficiency ratio, at indoor temperature 27(19)°C and outdoor temperature Tj	
Tj=35°C	Pdc	2.50	kW
Tj=30°C	Pdc	1.90	kW
Tj=25°C	Pdc	1.30	kW
Tj=20°C	Pdc	1.40	kW
		unit	
Declared capacity for heating / Average season, at indoor temperature 20°C and outdoor temperature Tj		Declared coefficient of performance / Average season, at indoor temperature 20°C and outdoor temperature Tj	
Tj=-7°C	Pdh	2.40	kW
Tj=2°C	Pdh	1.40	kW
Tj=7°C	Pdh	0.90	kW
Tj=12°C	Pdh	1.10	kW
Tj=bivalent temperature	Pdh	2.50	kW
Tj=operating limit	Pdh	2.30	kW
		unit	
Declared capacity for heating / Warmer season, at indoor temperature 20°C and outdoor temperature Tj		Declared coefficient of performance / Warmer season, at indoor temperature 20°C and outdoor temperature Tj	
Tj=2°C	Pdh	3.10	kW
Tj=7°C	Pdh	2.00	kW
Tj=12°C	Pdh	1.10	kW
Tj=bivalent temperature	Pdh	3.10	kW
Tj=operating limit	Pdh	2.30	kW
		unit	
Declared capacity for heating / Colder season, at indoor temperature 20°C and outdoor temperature Tj		Declared coefficient of performance / Colder season, at indoor temperature 20°C and outdoor temperature Tj	
Tj=-7°C	Pdh	-	kW
Tj=2°C	Pdh	-	kW
Tj=7°C	Pdh	-	kW
Tj=12°C	Pdh	-	kW
Tj=bivalent temperature	Pdh	-	kW
Tj=operating limit	Pdh	-	kW
Tj=-15°C	Pdh	-	kW
		unit	
Bivalent temperature		Operating limit temperature	
heating / Average	Tbiv	-10	°C
heating / Warmer	Tbiv	2	°C
heating / Colder	Tbiv	-	°C
		unit	
Cycling interval capacity		Cycling interval efficiency	
for cooling	Pcyc	-	kW
for heating	Pcyc	-	kW
		unit	
Degradation coefficient		Degradation coefficient	
cooling	Cdc	0.25	-
		unit	
Electric power input in power modes other than 'active mode'		Annual electricity consumption	
off mode	Poff	4	W
standby mode	Psb	4	W
thermostat-off mode	Pto	5	W
crankcase heater mode	Pck	0	W
		unit	
Capacity control(indicate one of three options)		Other items	
fixed		Sound power level(indoor)	Lwa 52 dB(A)
staged	No	Sound power level(outdoor)	Lwa 58 dB(A)
variable	No	Global warming potential	GWP 1975 kgCO2eq.
	Yes	Rated air flow(indoor)	- 594 m3/h
		Rated air flow(outdoor)	- 1644 m3/h
Contact details for obtaining more information		Name and address of the manufacturer or of its authorised representative. Mitsubishi Heavy Industries Air-Conditioning Europe, Ltd. 7 Roundwood Avenue, Stockley Park, Uxbridge, Middlesex, UB11 1AX, United Kingdom	
		RWA002Z266 	

Models SRK35ZS-ST

Information to identify the model(s) to which the information relates to: Indoor unit model name SRK35ZS-ST Outdoor unit model name SRC35ZS-S		If function includes heating: Indicate the heating season the information relates to. Indicated values should relate to one heating season at a time. Include at least the heating season 'Average'.	
Function(indicate if present) cooling Yes heating Yes		Average(mandatory) Yes Warmer(if designated) Yes Colder(if designated) No	
Item	symbol	value	unit
Design load		Seasonal efficiency and energy efficiency class	
cooling	Pdesignc	3.50	kW
heating / Average	Pdesignh	2.80	kW
heating / Warmer	Pdesignh	3.60	kW
heating / Colder	Pdesignh	-	kW
		unit	
Declared capacity at outdoor temperature Tdesignh		Back up heating capacity at outdoor temperature Tdesignh	
heating / Average (-10°C)	Pdh	2.80	kW
heating / Warmer (2°C)	Pdh	3.60	kW
heating / Colder (-22°C)	Pdh	-	kW
		unit	
Declared capacity for cooling, at indoor temperature 27(19)°C and outdoor temperature Tj		Declared energy efficiency ratio, at indoor temperature 27(19)°C and outdoor temperature Tj	
Tj=35°C	Pdc	3.50	kW
Tj=30°C	Pdc	2.58	kW
Tj=25°C	Pdc	1.66	kW
Tj=20°C	Pdc	1.40	kW
		unit	
Declared capacity for heating / Average season, at indoor temperature 20°C and outdoor temperature Tj		Declared coefficient of performance / Average season, at indoor temperature 20°C and outdoor temperature Tj	
Tj=-7°C	Pdh	2.50	kW
Tj=2°C	Pdh	1.60	kW
Tj=7°C	Pdh	1.00	kW
Tj=12°C	Pdh	1.10	kW
Tj=bivalent temperature	Pdh	2.80	kW
Tj=operating limit	Pdh	2.40	kW
		unit	
Declared capacity for heating / Warmer season, at indoor temperature 20°C and outdoor temperature Tj		Declared coefficient of performance / Warmer season, at indoor temperature 20°C and outdoor temperature Tj	
Tj=2°C	Pdh	3.60	kW
Tj=7°C	Pdh	2.30	kW
Tj=12°C	Pdh	1.10	kW
Tj=bivalent temperature	Pdh	3.60	kW
Tj=operating limit	Pdh	2.40	kW
		unit	
Declared capacity for heating / Colder season, at indoor temperature 20°C and outdoor temperature Tj		Declared coefficient of performance / Colder season, at indoor temperature 20°C and outdoor temperature Tj	
Tj=-7°C	Pdh	-	kW
Tj=2°C	Pdh	-	kW
Tj=7°C	Pdh	-	kW
Tj=12°C	Pdh	-	kW
Tj=bivalent temperature	Pdh	-	kW
Tj=operating limit	Pdh	-	kW
Tj=-15°C	Pdh	-	kW
		unit	
Bivalent temperature		Operating limit temperature	
heating / Average	Tbiv	-10	°C
heating / Warmer	Tbiv	2	°C
heating / Colder	Tbiv	-	°C
		unit	
Cycling interval capacity		Cycling interval efficiency	
for cooling	Pcyc	-	kW
for heating	Pcyc	-	kW
		unit	
Degradation coefficient		Degradation coefficient	
cooling	Cdc	0.25	-
		unit	
Electric power input in power modes other than 'active mode'		Annual electricity consumption	
off mode	Poff	4	W
standby mode	Psb	4	W
thermostat-off mode	Pto	5	W
crankcase heater mode	Pck	0	W
		unit	
Capacity control(indicate one of three options)		Other items	
fixed		Sound power level(indoor)	Lwa 56 dB(A)
staged	No	Sound power level(outdoor)	Lwa 62 dB(A)
variable	Yes	Global warming potential	GWP 1975 kgCO2eq.
		Rated air flow(indoor)	- 678 m3/h
		Rated air flow(outdoor)	- 1890 m3/h
Contact details for obtaining more information		Name and address of the manufacturer or of its authorised representative. Mitsubishi Heavy Industries Air-Conditioning Europe, Ltd. 7 Roundwood Avenue, Stockley Park, Uxbridge, Middlesex, UB11 1AX, United Kingdom	
		RWA002Z266 	

Models SRK50ZS-ST

Information to identify the model(s) to which the information relates to: Indoor unit model name SRK50ZS-ST Outdoor unit model name SRC50ZS-S		If function includes heating: Indicate the heating season the information relates to. Indicated values should relate to one heating season at a time. Include at least the heating season 'Average'.	
Function(indicate if present) cooling Yes heating Yes		Average(mandatory) Yes Warmer(if designated) Yes Colder(if designated) No	
Item	symbol	value	unit
Design load		Seasonal efficiency and energy efficiency class	
cooling	Pdesignc	5.00	kW
heating / Average	Pdesignh	3.90	kW
heating / Warmer	Pdesignh	5.30	kW
heating / Colder	Pdesignh	-	kW
		cooling SEER 6.26 A++	
		heating / Average SCOP/A 4.20 A+	
		heating / Warmer SCOP/W 5.00 A++	
		heating / Colder SCOP/C - -	
Declared capacity at outdoor temperature Tdesignh		Back up heating capacity at outdoor temperature Tdesignh	
heating / Average (-10°C)	Pdh	3.90	kW
heating / Warmer (2°C)	Pdh	5.30	kW
heating / Colder (-22°C)	Pdh	-	kW
		heating / Average (-10°C) elbu 0 kW	
		heating / Warmer (2°C) elbu 0 kW	
		heating / Colder (-22°C) elbu - kW	
Declared capacity for cooling, at indoor temperature 27(19)°C and outdoor temperature Tj		Declared energy efficiency ratio, at indoor temperature 27(19)°C and outdoor temperature Tj	
Tj=35°C	Pdc	5.00	kW
Tj=30°C	Pdc	3.69	kW
Tj=25°C	Pdc	2.38	kW
Tj=20°C	Pdc	2.50	kW
		Tj=35°C EERd 3.21 -	
		Tj=30°C EERd 5.15 -	
		Tj=25°C EERd 7.75 -	
		Tj=20°C EERd 10.05 -	
Declared capacity for heating / Average season, at indoor temperature 20°C and outdoor temperature Tj		Declared coefficient of performance / Average season, at indoor temperature 20°C and outdoor temperature Tj	
Tj=-7°C	Pdh	3.40	kW
Tj=2°C	Pdh	2.10	kW
Tj=7°C	Pdh	1.90	kW
Tj=12°C	Pdh	2.90	kW
Tj=bivalent temperature	Pdh	3.90	kW
Tj=operating limit	Pdh	4.00	kW
		Tj=-7°C COPd 2.55 -	
		Tj=2°C COPd 4.40 -	
		Tj=7°C COPd 5.60 -	
		Tj=12°C COPd 6.40 -	
		Tj=bivalent temperature COPd 2.20 -	
		Tj=operating limit COPd 2.20 -	
Declared capacity for heating / Warmer season, at indoor temperature 20°C and outdoor temperature Tj		Declared coefficient of performance / Warmer season, at indoor temperature 20°C and outdoor temperature Tj	
Tj=2°C	Pdh	5.30	kW
Tj=7°C	Pdh	3.40	kW
Tj=12°C	Pdh	2.90	kW
Tj=bivalent temperature	Pdh	5.30	kW
Tj=operating limit	Pdh	4.00	kW
		Tj=2°C COPd 2.50 -	
		Tj=7°C COPd 4.95 -	
		Tj=12°C COPd 6.40 -	
		Tj=bivalent temperature COPd 2.50 -	
		Tj=operating limit COPd 2.23 -	
Declared capacity for heating / Colder season, at indoor temperature 20°C and outdoor temperature Tj		Declared coefficient of performance / Colder season, at indoor temperature 20°C and outdoor temperature Tj	
Tj=-7°C	Pdh	-	kW
Tj=2°C	Pdh	-	kW
Tj=7°C	Pdh	-	kW
Tj=12°C	Pdh	-	kW
Tj=bivalent temperature	Pdh	-	kW
Tj=operating limit	Pdh	-	kW
Tj=-15°C	Pdh	-	kW
		Tj=-7°C COPd - -	
		Tj=2°C COPd - -	
		Tj=7°C COPd - -	
		Tj=12°C COPd - -	
		Tj=bivalent temperature COPd - -	
		Tj=operating limit COPd - -	
		Tj=-15°C COPd - -	
Bivalent temperature		Operating limit temperature	
heating / Average	Tbiv	-10	°C
heating / Warmer	Tbiv	2	°C
heating / Colder	Tbiv	-	°C
		heating / Average Tol -15 °C	
		heating / Warmer Tol -15 °C	
		heating / Colder Tol - °C	
Cycling interval capacity		Cycling interval efficiency	
for cooling	Pccyc	-	kW
for heating	Pchyc	-	kW
		for cooling EERcyc - -	
		for heating COPcyc - -	
Degradation coefficient		Degradation coefficient	
cooling	Cdc	0.25	-
		heating Cdh 0.25 -	
Electric power input in power modes other than 'active mode'		Annual electricity consumption	
off mode	Poff	4	W
standby mode	Psb	4	W
thermostat-off mode	Pto	12	W
crankcase heater mode	Pck	0	W
		cooling Qce 280 kWh/a	
		heating / Average Qhe 1300 kWh/a	
		heating / Warmer Qhe 1484 kWh/a	
		heating / colder Qhe - kWh/a	
Capacity control(indicate one of three options)		Other items	
fixed	-	Lwa	58 dB(A)
staged	No	Lwa	62 dB(A)
variable	No	Global warming potential GWP	1975 kgCO2eq.
	Yes	Rated air flow(indoor)	726 m3/h
		Rated air flow(outdoor)	1968 m3/h
Contact details for obtaining more information	Name and address of the manufacturer or of its authorised representative. Mitsubishi Heavy Industries Air-Conditioning Europe, Ltd. 7 Roundwood Avenue, Stockley Park, Uxbridge, Middlesex, UB11 1AX, United Kingdom		
RWA002Z266			

INVERTER WALL MOUNTED TYPE RESIDENTIAL AIR-CONDITIONERS



MITSUBISHI HEAVY INDUSTRIES THERMAL SYSTEMS, LTD.

16-5 Konan 2-chome, Minato-ku, Tokyo, 108-8215, Japan

<http://www.mhi-mth.co.jp/en/>

Because of our policy of continuous improvement, we reserve the right to make changes in all specifications without notice.

© Copyright MITSUBISHI HEAVY INDUSTRIES THERMAL SYSTEMS, LTD.