



PRODUCT SPECIFICATION

Manufacturer: Big Foot Systems

Product Name: Fix-it Foot



Product Summary

Mini Split condenser support; pipework, ductwork and cable tray support.

Product Description

Fix-it Foot & High Bloc

The Big Foot Systems Fix-it Foot offers a neat and simple solution for supporting ancillaries including ducts, pipes, cable trays and most major manufacturer's mini split condensing units. The High Bloc fits underneath the Fix-it Foot, allowing the user to increase the clearance height by an additional height of 120mm (4 23/32in). Recommended foot spacing of 1 - 1.5m.

Mini Split Kits

A boxed kit containing a pair of Fix-it Feet complete with M10 fast fix fixing bolts and channel nuts. Ideal for supporting small condensing units on ground level and in wind protected environments.

Features/ benefits

- Non penetrative load management.
- Cost effective, pre-fabricated support system.
- Durable recycled rubber, with increased stability.
- Quick to install, robust and secure.

Standards

Constructed to:

- BS8000-4: Workmanship on building sites. Code of practice for waterproofing.
- BS6229: Code of practice for flat roofs with continuously supported coverings.
- Building Regulations (E & W) Part L: Conservation of Fuel and Power.
- BS EN 1850-1: Determination of visible defects.
- BS EN 1107-1: Flexible sheets for waterproofing. Determination of dimensional stability.

Material Specification:

- Aluminium alloy 6061
- Rubber crumb foot: SBR recycled rubber BS 7188 and BS 5696-3
- Salt mist testing: BS EN 60068-2-52.
- Test Kb severity 1.

Design Considerations

Aluminium channel securely anchored to the top of every Fix-it Foot for easy method of fixing. The channel mimics industry standard 41x41mm (1 39/64 x 1 39/64in) or 41x21mm (1 39/64 x 53/64in) strut channels, allowing for mechanical fixing of standardised bolts and channel nuts.

Design Load:

Design loads are based upon rigorous load tests carried out for every Fix-it Foot and High Bloc variation, which includes a built-in factor of safety for each. Design loads recommended by Big Foot should not be exceeded.

Wind Loading:

Suitable for wind protected environments only.

Roof Surface:

Suitable for any roof surface including but not limited to PVC membrane, mastic asphalt, insulation and concrete roof finishes.

Working Conditions:

Suitable for internal or external applications in temperatures between -40°C to +80°C.

Marine Environment:

Salt mist test conducted in accordance with ASTM B117-11 to simulate an accelerated environmental test. The results validate the 10 year product guarantee issued by Big Foot Systems.

Foot Pressure & UDL (Roof Load):

Allowable foot pressure and roof load will be subject to roof build-up, typically detailed by a structural engineer. Big Foot Systems work to a maximum foot pressure and UDL of 20kN/m2 and 7.5kN/m2 respectively.

Where to buy:

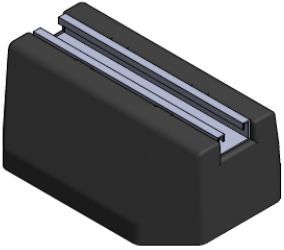
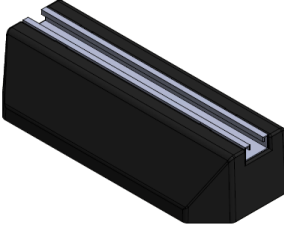
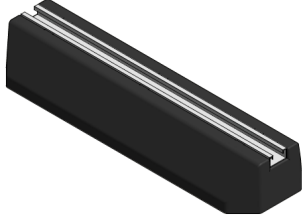
Available to buy off the shelf from any partner wholesalers across the country. The link below provides the location of every wholesalers in the UK.


<http://www.bigfootsupport.com/distributors>

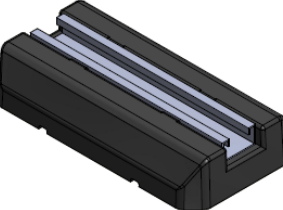
Options

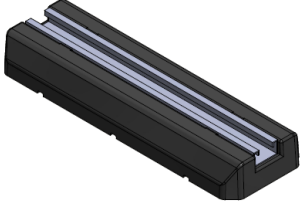
Foot Fleeces: Recommended use between PVC or asphalt roof membrane surfaces and the rubber foot to prevent migration of plasticizers.

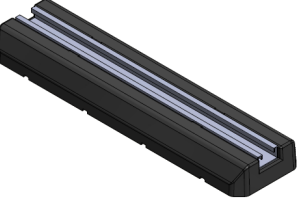
- B9158—Foot Fleece 250mm (9 27/32in)
- B9159—Foot Fleece 400mm (15 3/4in)
- B9160—Foot Fleece 600mm (23 5/8in)
- B9369—Foot Fleece 1000mm (39 3/8in)


B6735 - Fix-it Foot 250				B6736 - Fix-it Foot 400				B6737 - Fix-it Foot 600			
Length	mm	250		Length	mm	400		Length	mm	600	
	Inches	9 27/32			Inches	15 3/4			Inches	23 5/8	
Width	mm	180		Width	mm	180		Width	mm	180	
	Inches	7 3/32			Inches	7 3/32			Inches	7 3/32	
Height	mm	95		Height	mm	95		Height	mm	95	
	Inches	3 47/64			Inches	3 47/64			Inches	3 47/64	
Weight	kg	2.4	Weight	kg	3.5	Frame Weight	kg	5.8			
	lbs	5.3		lbs	7.8		lbs	12.7			
Design Load	kg	82	Design Load	kg	128	Design Load	kg	224			
	lbs	181		lbs	282		lbs	494			

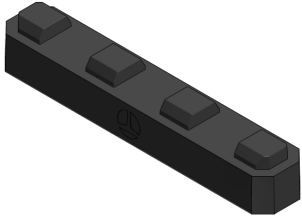
B9096 - Fix-it Foot 1000			
Length	mm	1000	
	Inches	39 3/8	
Width	mm	180	
	Inches	7 3/32	
Height	mm	95	
	Inches	3 47/64	
Frame Weight	kg	9.9	
	lbs	21.9	
Design Load	kg	295	
	lbs	650	

B9043 - Fix-it Foot Low 250			
Length	mm	250	
	Inches	9 27/32	
Width	mm	130	
	Inches	5 1/8	
Height	mm	50	
	Inches	1 31/32	
Weight	kg	1.3	
	lbs	2.9	
Design Load	kg	82	
	lbs	181	

B9045 - Fix-it Foot Low 400			
Length	mm	400	
	Inches	15 3/4	
Width	mm	130	
	Inches	5 1/8	
Height	mm	50	
	Inches	1 31/32	
Weight	kg	2.1	
	lbs	4.5	
Design Load	kg	128	
	lbs	282	

B9368 - Fix-it Foot Low 500			
Length	mm	500	
	Inches	19 11/16	
Width	mm	130	
	Inches	5 1/8	
Height	mm	50	
	Inches	1 31/32	
Weight	kg	2.5	
	lbs	5.4	
Design Load	kg	134	
	lbs	295	

B6974 - High Bloc 600			
Length	mm	600	
	Inches	23 5/8	
Width	mm	180	
	Inches	7 3/32	
Height	mm	120	
	Inches	4 23/32	
Frame Weight	kg	10.2	
	lbs	22.4	
Design Load	kg	224	
	lbs	494	

B6973 - High Bloc 1000			
Length	mm	1000	
	Inches	39 3/8	
Width	mm	180	
	Inches	7 3/32	
Height	mm	120	
	Inches	4 23/32	
Frame Weight	kg	17.7	
	lbs	38.9	
Design Load	kg	295	
	lbs	650	



Mini Split Kit
 Boxed kit including M10 fixings, quick and simple to install.

Available in 2 sizes:

- B9284—600mm (23 5/8in)
- B9530—1000mm (39 3/8in)



Installation and application considerations should include health, safety and environmental needs, regulations and standards, codes of practice, climate conditions, installation location, product orientation, evaluation of the roof structure, composition, surface and condition, ancillary and complimentary products and materials. Big Foot Systems recommend that all rooftop products are handled and installed by suitably qualified persons. All scheme designs are based on the use of Big Foot Systems' products and materials only.

Terms and conditions available on request

TITLE:
Fix-it Foot Product Specification Sheet

DWG No.
BFT-FIF.dwg

THIS DRAWING IS COPYRIGHT AND THE PROPERTY OF BIG FOOT SYSTEMS LIMITED

