



REFRIGERATION AND  
AIR CONDITIONING

# INSTRUCTIONS

## Display EKA 165



084R9983



R18KT202

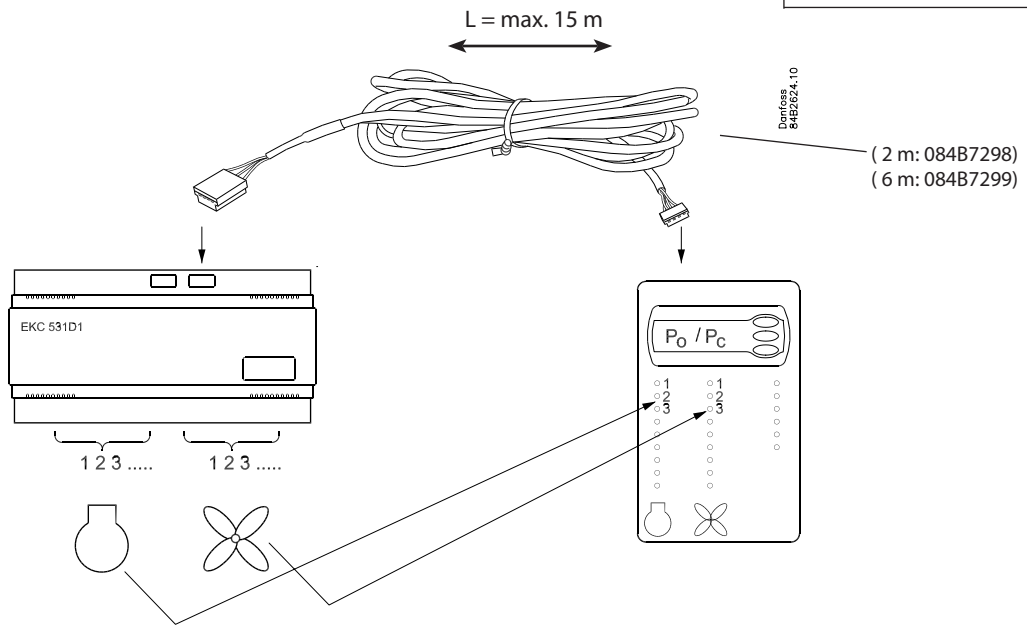
084R9983

### Principle / Connection

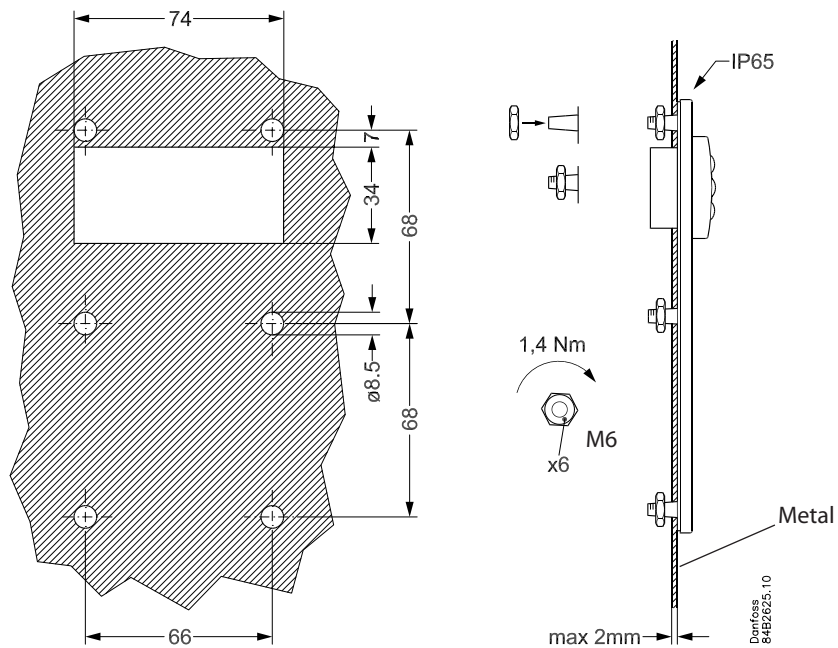
$t_{amb} = 0 - +55^{\circ}\text{C}$   
Non condensing



084R9983



### Mounting



Operation: See controller