

S90RDPW4: interface board for S90TDPM/RDP

S90RDPW4 is an electronic board which interfaces S90TDPM and S90RDP thermostats with defroster. This board must be connected to thermostats by telephone cable (cod. S90CONN000, S90CONN001, S90CONN002).

Functioning

This board contains all power components of thermostats with defroster, as power supply transformer with double input (24 and 220V) and output relays for compressor, defroster, evaporator fans, and one alarm output.

Electrical connections and dimensions

Figure no. 1 indicates electrical connections to be executed after board installation on the electrical panel; figure no. 2 indicates case dimensions.

Technical specifications

Power supply: 220/24Vac, +10/-15%, 50/60 Hz

Consumption: 3VA

Index of protection (frontal): IP40

Outputs:

- compressor relay (N.O. contact) max 2000VA res. 8A 250Vdc
- defrost relay (N.O. contact) max 1125VA res. 4.5A 250Vdc
- fan relay (N.O. contact) max 1125VA res. 4.5A 250Vdc
- alarm relay (N.O. contact) max 1125VA res. 4.5A 250Vdc

Inputs: by telephone cable from TDPM/RDP

Mounting: DIN rail mounting

Connections: screw terminal block for cables with a max. section of 1.5mm² and min. section of 0.5mm²

Operating conditions: 0÷50°C (32÷122°F) < 80% rH

Storage conditions: -20÷70°C (4÷158°F)

Weight: 345g

Classification according to protection against shock: class II

Number of automatic cycles for each automatic action: 100,000

Ageing period (operating hours): 80,000

Type of the action/disconnection for each circuit: 1C

PTI of materials used for insulation: 250Volt

Period of electric stress across insulating parts: long

Environmental pollution: normal

Heat and fire resistance category: category D

Surge immunity: category 1

Case dimensions: 88x70 mm

Cleaning the instrument: when cleaning do not use ethylic alcohol, hydrocarbons (oil), ammonia and its derivatives. It is advisable to use neutral detergents and water

Disposal of the product: avoid to put the device on the domestic rubbish. To dispose the device refer to the environmental protection laws in force in your country

Carel reserves the right to modify the features of its products without prior notice.

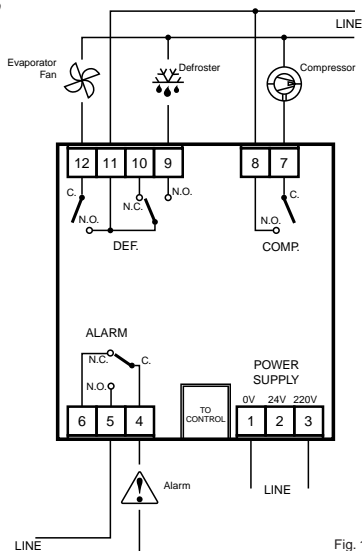


Fig. 1

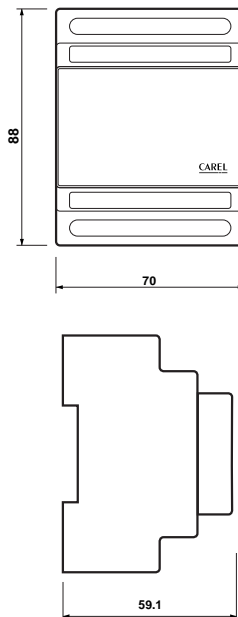


Fig. 2

CAREL

CAREL srl

Via dell'Industria, 11 - 35020 Brugine - Padova (Italy)

Tel. (+39) 0499716611 - Fax (+39) 0499716600

http://www.carel.com - e-mail: carel@carel.com